



## JBC Series Beam Clamps

Model No: JBC-1 JBC-2 JBC-3 JBC-5  
 Stock No: 252710 252720 252730 252750  
 Description: 1T 2T 3T 5T



### IMPORTANT SAFETY INSTRUCTIONS

#### TO REDUCE RISK OF INJURY:

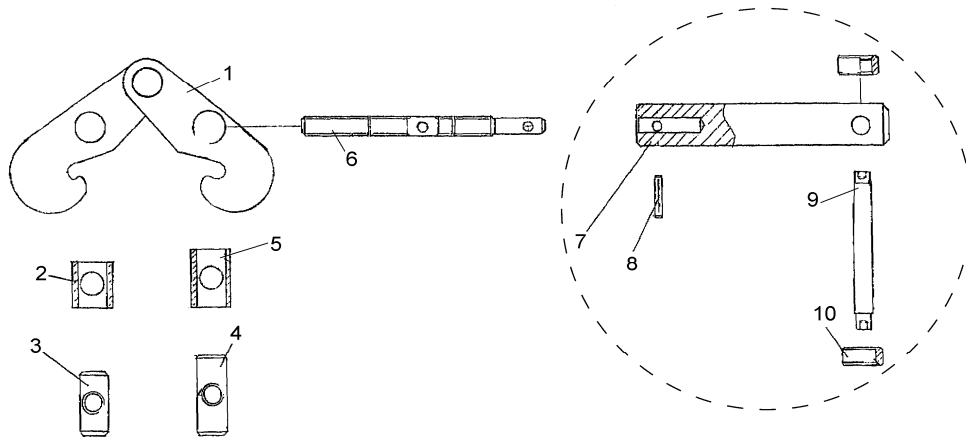
- Read and understand all warnings and operating instructions before attempting to use the beam clamp.
- Beam clamps are designed and intended for use on "I" and "H" beams having an installed rated value of the beam clamp.
- NEVER install a beam clamp on a beam that has not been rated or tested for attachment of lifting devices.
- Beam clamp must be fully tightened and fully engage beam before use.
- Beam clamps are designed for vertical lifts only. DO NOT use for side or angle pulls or lifts.
- Always replace worn, damaged or missing labels. Failure to comply with these warnings may result in personal injury and/or property damage.

JBC-series Beam Clamps comply with ANSI/ ASME B30.17 and B30.20 standards.

To order parts, call our service department at 800-274-6848 between 8:00 a.m. and 5:00 p.m. (CST), Monday through Friday. Having the Model Number and Serial Number will allow us to serve you quickly and accurately.

Index	Part No	Description	Qty
1	JBC1-1G	Clamp JBC-1	1
	JBC2-1G	Clamp JBC-2	1
	JBC3-1G	Clamp JBC-3	1
	JBC5-1G	Clamp JBC-5	1
2	JBC1-2G	Shaft Housing Short JBC-1	1
	JBC2-2G	Shaft Housing Short JBC-2	1
	JBC3-2G	Shaft Housing Short JBC-3	1
	JBC5-2G	Shaft Housing Short JBC-5	1
3	JBC1-3G	Shaft Short JBC-1	1
	JBC2-3G	Shaft Short JBC-2	1
	JBC3-3G	Shaft Short JBC-3	1
	JBC5-3G	Shaft Short JBC-5	1
4	JBC1-4G	Shaft Long JBC-1	1
	JBC2-4G	Shaft Long JBC-2	1
	JBC3-4G	Shaft Long JBC-3	1
	JBC5-4G	Shaft Long JBC-5	1
5	JBC1-5G	Shaft Housing Long JBC-1	1
	JBC2-5G	Shaft Housing Long JBC-2	1
	JBC3-5G	Shaft Housing Long JBC-3	1
	JBC5-5G	Shaft Housing Long JBC-5	1
6	JBC1-6	Lead Screw JBC-1 & 2	1
	JBC3-6	Lead Screw JBC-3	1
	JBC5-6	Lead Screw JBC-5	1
	JBC-HA1	Handle Assembly <sup>3</sup> , JBC Series (1t & 2t, Index #7, 8, 9, 10)	1
	JBC-HA2	Handle Assembly <sup>4</sup> , JBC Series (3t & 5t, Index #7, 8, 9, 10)	1
7		Handle Housing	1
8		Spring Pin	1
9		Handle	1
10		Handle Cap	2
*	LM000090	Name Plate JBC-1	1
	LM000091	Name Plate JBC-2	1
	LM000092	Name Plate JBC-3	1
	LM000093	Name Plate JBC-5	1
	JBC1-WL	Warning Label <sup>1</sup>	1
	JBC5-WL	Warning Label <sup>2</sup>	1

<sup>1</sup> for JBC-1 & 2: 2-3/4" x 1-1/2" \* not shown  
<sup>2</sup> for JBC-3 & 5: 3-1/4" x 1-9/16"  
<sup>3</sup> for JBC-1 & 2: #7 aperture 1/2"  
<sup>4</sup> for JBC-3 & 5: #7 aperture 11/16"



### JET

427 New Sanford Road  
 LaVergne, Tennessee 37086  
 Ph.: 800-274-6848  
 www.jettools.com

Part No. M-252710  
 Revision I 02/2017

Copyright © 2017 JET, a Division of JPW Industries, Inc.

# Warranty and service

JET warrants every product it sells against manufacturers' defects. If one of our tools needs service or repair, please contact Technical Service by calling 1-800-274-6846, 8AM to 5PM CST, Monday through Friday.

## Warranty Period

The general warranty lasts for the time period specified in the literature included with your product or on the official JET branded website.

- JET products carry a limited warranty which varies in duration based upon the product. (See chart below)
- Accessories carry a limited warranty of one year from the date of receipt.
- Consumable items are defined as expendable parts or accessories expected to become inoperable within a reasonable amount of use and are covered by a 90 day limited warranty against manufacturer's defects.

## Who is Covered

This warranty covers only the initial purchaser of the product from the date of delivery.

## What is Covered

This warranty covers any defects in workmanship or materials subject to the limitations stated below. This warranty does not cover failures due directly or indirectly to misuse, abuse, negligence or accidents, normal wear-and-tear, improper repair, alterations or lack of maintenance. JET woodworking machinery is designed to be used with Wood. Use of these machines in the processing of metal, plastics, or other materials outside recommended guidelines may void the warranty. The exceptions are acrylics and other natural items that are made specifically for wood turning.

## Warranty Limitations

Woodworking products with a Five Year Warranty that are used for commercial or industrial purposes default to a Two Year Warranty. Please contact Technical Service at 1-800-274-6846 for further clarification.

## How to Get Technical Support

Please contact Technical Service by calling 1-800-274-6846. **Please note that you will be asked to provide proof of initial purchase when calling.** If a product requires further inspection, the Technical Service representative will explain and assist with any additional action needed. JET has Authorized Service Centers located throughout the United States. For the name of an Authorized Service Center in your area call 1-800-274-6846 or use the Service Center Locator on the JET website.

## More Information

JET is constantly adding new products. For complete, up-to-date product information, check with your local distributor or visit the JET website.

## How State Law Applies

This warranty gives you specific legal rights, subject to applicable state law.

## Limitations on This Warranty

JET LIMITS ALL IMPLIED WARRANTIES TO THE PERIOD OF THE LIMITED WARRANTY FOR EACH PRODUCT. EXCEPT AS STATED HEREIN, ANY IMPLIED WARRANTIES OF MERCHANTABILITY AND FITNESS FOR A PARTICULAR PURPOSE ARE EXCLUDED. SOME STATES DO NOT ALLOW LIMITATIONS ON HOW LONG AN IMPLIED WARRANTY LASTS, SO THE ABOVE LIMITATION MAY NOT APPLY TO YOU.

JET SHALL IN NO EVENT BE LIABLE FOR DEATH, INJURIES TO PERSONS OR PROPERTY, OR FOR INCIDENTAL, CONTINGENT, SPECIAL, OR CONSEQUENTIAL DAMAGES ARISING FROM THE USE OF OUR PRODUCTS. SOME STATES DO NOT ALLOW THE EXCLUSION OR LIMITATION OF INCIDENTAL OR CONSEQUENTIAL DAMAGES, SO THE ABOVE LIMITATION OR EXCLUSION MAY NOT APPLY TO YOU.

JET sells through distributors only. The specifications listed in JET printed materials and on official JET website are given as general information and are not binding. JET reserves the right to effect at any time, without prior notice, those alterations to parts, fittings, and accessory equipment which they may deem necessary for any reason whatsoever. JET® branded products are not sold in Canada by JPW Industries, Inc.

## Product Listing with Warranty Period

90 Days – Parts; Consumable items
1 Year – Motors; Machine Accessories
2 Year – Metalworking Machinery; Electric Hoists, Electric Hoist Accessories; Woodworking Machinery used for industrial or commercial purposes
5 Year – Woodworking Machinery
Limited Lifetime – JET Parallel clamps; VOLT Series Electric Hoists; Manual Hoists; Manual Hoist Accessories; Shop Tools; Warehouse & Dock products; Hand Tools; Air Tools

NOTE: JET is a division of JPW Industries, Inc. References in this document to JET also apply to JPW Industries, Inc., or any of its successors in interest to the JET brand.