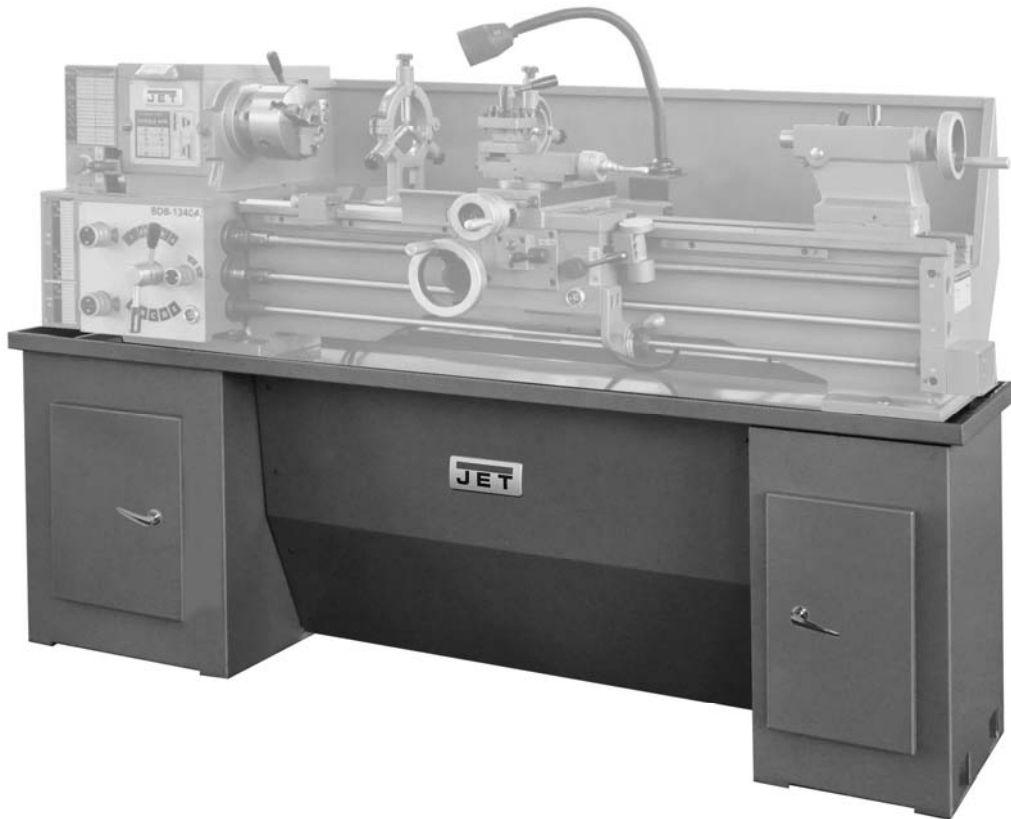


Assembly Instructions

CBS-1340 Lathe Stand

For Jet Lathe Models BDB-1340A and GHB-1340A



CBS-1340 Stand shown with BDB-1340A Belt Drive Lathe

JET
427 New Sanford Road
LaVergne, Tennessee 37086
Ph.: 800-274-6848
www.jettools.com

Part No. M-321443AK
Rev. B 02/2017
Copyright © 2017 JET

Contents of Shipping Container

Middle Panel Carton

- 1 Panel

Right Panel Carton

- 1 Right Panel
- 1 Hardware Kit
- 1 Manual

Left Panel Carton

- 1 Left Panel

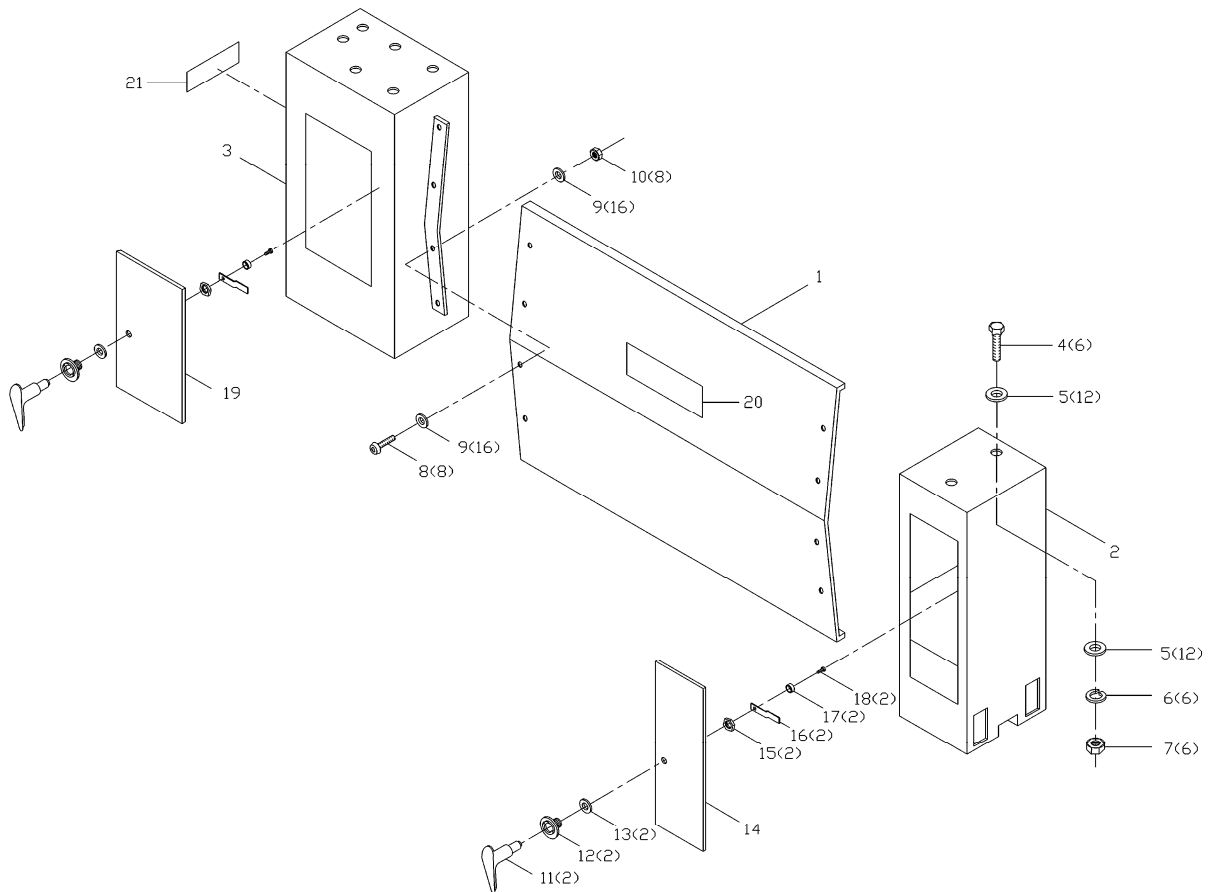
Tools Needed for Assembly:

- Cross Point Screw Driver
- 10mm Open End Wrench
- 19mm Open End Wrench
- 26mm Open End Wrench
- 4mm Hex Wrench

Assembly Instructions

Note: number in "()" parenthesis refers to the index number in the parts breakdown and parts list.

1. Take off Bolt (8), Spacer (17) and Nut (15) by Door Latch Assembly.
2. Put Handle (11), Bolt (12), and Washer (13) through hole of door.
3. Assemble Nut (15), Latch (16), Spacer (17), and Bolt (18) onto back of door.
4. Assemble Center Panel (1) with Left Plinth (3) and Right Plinth (2) with Screws (8), Latch (16) and Nut (8).
5. Install lathe onto stand and tighten with Bolts (4), Washers (5), Lock Washers (6) and Nuts (7).



Parts List for CBS-1340 Stand

Index No.	Part No.	Description	Size	Qty.
1	321443C	Center Panel (gray)		1
	321443C-W	Center Panel (white)		1
2	321443R	Right Plinth (gray)		1
	321443R-W	Right Plinth (white)		1
3	321443L	Left Plinth (gray)		1
	321443L-W	Left Plinth (white)		1
4	CBS1340-04	Hex Cap Bolt*	1/2"-12x1-1/2	6
5	TS-0680061	Flat Washer*	1/2"	2
6	TS-0720111	Spring Washer*	1/2"	6
7	CBS1340-07	Hex Nut*	1/2"-12	6
8	TS-2246162	Socket Head Button Screw*	M6x16L	8
9	TS-1550041	Flat Washer*	M6	6
10	TS-1540041	Hex Nut*	M6	8
11	CBS1340-11	Handle*		2
12	CBS1340-12	Stud*		2
13	CBS1340-13	Rubber Washer*		2
14	CBS1340-14	Right Cover		1
15	CBS1340-15	Square Nut*		2
16	S920N-6	Latch*		2
17	CBS1340-17	Spacer*		2
18	TS-1482011	Hex Cap Bolt*	M6-1x10	2
19	CBS1340-19	Left Cover		1
20	JET-165	JET Logo	165x68mm	1
21	CBS1340-21	ID Label		1
	CBS1340-HW	Hardware Kit		1

* included in CBS1340-HW Hardware Kit

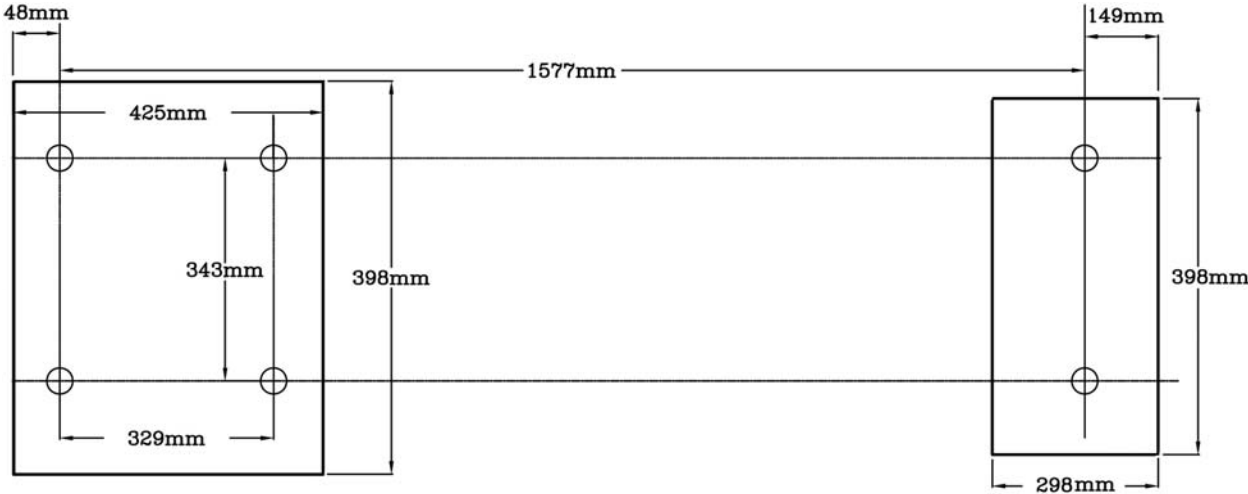
Replacement Parts

To order parts or reach our service department, call 1-800-274-6848 Monday through Friday, 8:00 a.m. to 5:00 p.m. CST. Having the Model Number and Serial Number of your machine available when you call will allow us to serve you quickly and accurately.

Non-proprietary parts, such as fasteners, can be found at local hardware stores, or may be ordered from JET.

Some parts are shown for reference only, and may not be available individually.

CBS-1340 Dimensions



Height: 598mm



427 New Sanford Road
LaVergne, Tennessee 37086
Phone: 800-274-6848
www.jettools.com