

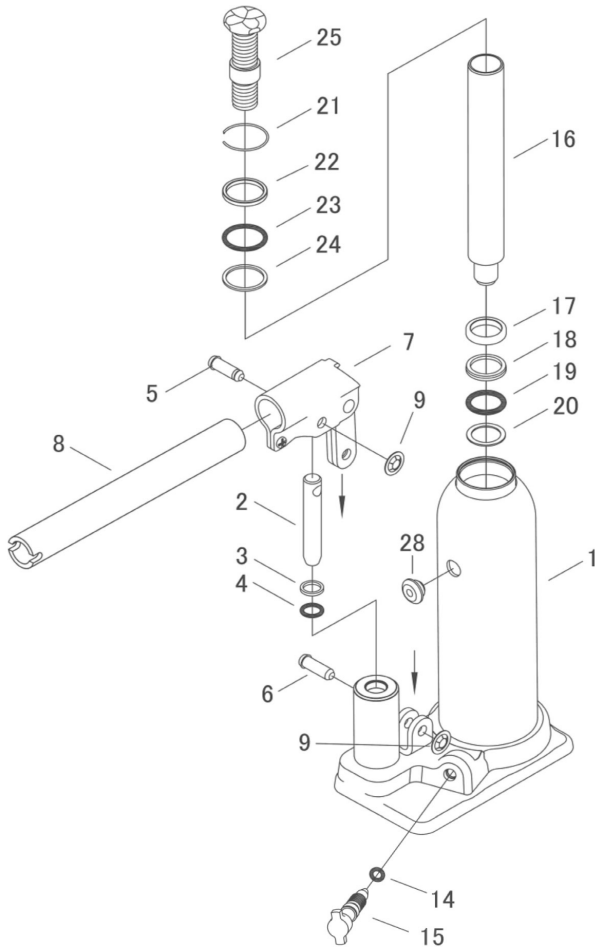


Hydraulic Bottle Jacks

JHJ-2 (stock no. 453301)

JHJ-3 (stock no. 453303)

JHJ-5 (stock no. 453305)



	JHJ-2	JHJ-3	JHJ-5
Rated capacity	2 ton	3 ton	5 ton
Minimum height (in.)	7-1/8	7-1/2	7-7/8
Piston height (in.)	4-1/2	4-1/2	4-5/8
Head screw (h/in.)	2	2-3/8	2-3/4
Maximum height (in.)	13-5/8	14-3/8	15-1/2
Base size (LxW/in.)	4-1/2 x 2-1/2	4-9/16 x 2-13/16	5-5/8 x 3-1/4
Weight (lbs)	5	6	9

Part No. M-453301
Revision J1 04/2019

JET
a Division of JPW Industries, Inc.
427 New Sanford Rd.
LaVergne, Tennessee 37086
Ph.: 800-274-6848
www.jettools.com

⚠ WARNING: This product can expose you to chemicals including styrene which is known to the State of California to cause cancer. For more information go to <http://www.p65warnings.ca.gov>.

JHJ-2

Index No.	Part No.	Description
	JHJ001-RK	Repair Kit
2	JHJ001-02	Pump Plunger
3	JHJ001-03	Pump Backup Ring*
4	JHJ001-04	Pump Packing*
5	JHJ001-05	Pump Plunger Pin
6	JHJ001-06	Pump Stay Pin
7	JHJ001-07	Handle Socket Assembly
8	JHJ001-08	Handle 2pc.
9	JHJ001-09	Pin Stopper Ring
14	JHJ001-14	Release Packing* (all sizes)
15	JHJ001-15	Release Assembly 1-7/8" (old)
	JHJ001-15A	Release Stem 2-1/4" (new)
16	JHJ001-16	Ram
17	JHJ001-17	Ram Packing Seat
18	JHJ001-18	Ram Backup Ring*
19	JHJ001-19	Ram Packing*
20	JHJ001-20	Ram Packing Stopper
21	JHJ001-21	Snap Ring
22	JHJ001-22	Stuffing Ring
23	JHJ001-23	Cylinder Packing*
24	JHJ001-24	Stopper Ring
25	JHJ001-25	Adjusting Screw Assembly
28	JHJ001-28	Oil Plug* (all sizes)

JHJ-3

	JHJ003-RK	Repair Kit
2	JHJ001-02	Pump Plunger
3	JHJ001-03	Pump Backup Ring*
4	JHJ001-04	Pump Packing*
5	JHJ001-05	Pump Plunger Pin
6	JHJ001-06	Pump Stay Pin
7	JHJ001-07	Handle Socket
8	JHJ003-08	Handle 2pc.
9	JHJ001-09	Pin Stopper Ring
14	JHJ001-14	Release Packing*
15	JHJ001-15	Release Assembly Old
	JHJ001-15A	Release Stem New
16	JHJ003-16	Ram
17	JHJ003-17	Ram Packing Seat
18	JHJ003-18	Ram Backup Ring*
19	JHJ003-19	Ram Packing*
20	JHJ003-20	Ram Packing Stopper
21	JHJ003-21	Snap Ring
22	JHJ003-22	Stuffing Ring
23	JHJ003-23	Cylinder Packing*
24	JHJ003-24	Stopper Ring
25	JHJ003-25	Adjusting Screw Assembly
28	JHJ001-28	Oil Plug*

JHJ-5

	JHJ005-RK	Repair Kit
2	JHJ001-02	Pump Plunger
3	JHJ001-03	Pump Backup Ring*
4	JHJ001-04	Pump Packing*
5	JHJ001-05	Pump Plunger Pin
6	JHJ001-06	Pump Stay Pin
7	JHJ001-07	Handle Socket Assembly
8	JHJ005-08	Handle 3pc.
9	JHJ001-09	Pin Stopper Ring
14	JHJ001-14	Release Packing*
15	JHJ001-15	Release Assembly Old
	JHJ001-15A	Release Stem New
16	JHJ005-16	Ram
17	JHJ005-17	Ram Packing Seat
18	JHJ005-18	Ram Backup Ring*
19	JHJ005-19	Ram Packing*
20	JHJ005-20	Ram Packing Stopper
21	JHJ005-21	Snap Ring
22	JHJ005-22	Stuffing Ring
23	JHJ005-23	Cylinder Packing*
24	JHJ005-24	Stopper Ring
25	JHJ005-25	Adjusting Screw Assembly
28	JHJ001-28	Oil Plug*

* denotes part included in repair kit

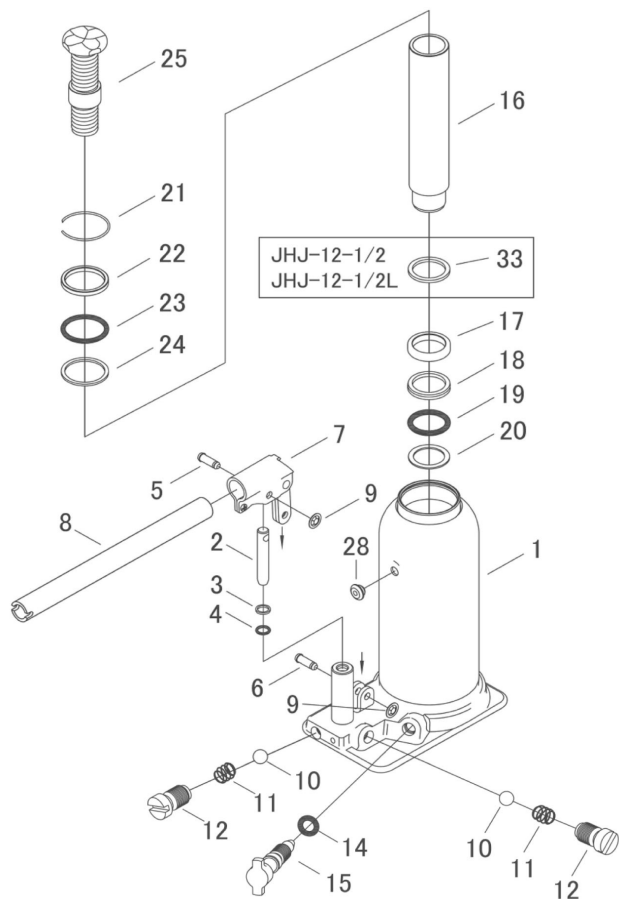


Hydraulic Bottle Jacks

JHJ-8 (stock no. 453308)

JHJ-12-1/2 (stock no. 453312)

JHJ-12-1/2L (stock no. 453313K)



	JHJ-8	JHJ-12-1/2	JHJ-12-1/2L
Rated capacity	8 ton	12-1/2 ton	12-1/2 ton
Minimum height (in.)	7-7/8	9-1/2	6-3/4
Piston height (in.)	4-5/8	5-7/8	3-3/4
Head screw (h/in.)	2-3/4	3-1/8	3
Maximum height (in.)	15-1/2	18-1/2	13-3/8
Base size (LxW/in.)	6 x 3-1/2	6-1/2 x 4-1/8	6-1/2 x 4-1/8
Weight (lbs)	13	18	15

Part No. M-453308
Revision J1 04/2019

JET
a Division of JPW Industries, Inc.
427 New Sanford Rd.
LaVergne, Tennessee 37086
Ph.: 800-274-6848
www.jettools.com

JHJ-8

Index No.	Part No.	Description
.....	JHJ008-RK	Repair Kit
2.....	JHJ008-02	Pump Plunger
3.....	JHJ008-03	Pump Backup Ring*
4.....	JHJ008-04	Pump Packing*
5.....	JHJ008-05	Pump Plunger Pin
6.....	JHJ008-06	Pump Stay Pin
7.....	JHJ008-07	Handle Socket Assembly
8.....	JHJ008-08	Handle 3pc.
9.....	JHJ008-09	Pin Stopper Ring
10.....	SB-1/4	Valve Ball
11.....	JB5-3	Spring
12.....	JHJ008-12	Valve Plug
14.....	JHJ001-14	Release Packing*
15.....	JHJ001-15	Release Assembly Old
.....	JHJ001-15A	Release Stem New
16.....	JHJ008-16	Ram
17.....	JHJ008-17	Ram Packing Seat
18.....	JHJ008-18	Ram Backup Ring*
19.....	JHJ008-19	Ram Packing*
20.....	JHJ008-20	Ram Packing Stopper
21.....	JHJ008-21	Snap Ring
22.....	JHJ008-22	Stuffing Ring
23.....	JHJ008-23	Cylinder Packing*
24.....	JHJ008-24	Stopper Ring
25.....	JHJ008-25	Adjusting Screw Assembly
28.....	JHJ001-28	Oil Plug*

JHJ-12-1/2 and JHJ-12-1/2L

Index No.	Part No.	Description
.....	JHJ012-RK	Repair Kit
2.....	JHJ008-02	Pump Plunger
3.....	JHJ008-03	Pump Backup Ring*
4.....	JHJ008-04	Pump Packing*
5.....	JHJ008-05	Pump Plunger Pin
6.....	JHJ008-06	Pump Stay Pin
7.....	JHJ008-07	Handle Socket
8.....	JHJ008-08	Handle 3pc.
.....	JHJ012-08LP	Handle 1pc (for low profile)
9.....	JHJ008-09	Pin Stopper Ring
10.....	SB-1/4	Valve Ball
11.....	JB5-3	Spring
12.....	JHJ008-12	Valve Plug
14.....	JHJ001-14	Release Packing*
15.....	JHJ001-15	Release Assembly Old
.....	JHJ001-15A	Release Stem New
16.....	JHJ012-16	Ram
.....	JHJ012-16LP	Ram (for low profile)
17.....	JHJ012-17	Ram Packing Seat
18.....	JHJ012-18	Ram Backup Ring*
19.....	JHJ012-19	Ram Packing*
20.....	JHJ012-20	Ram Packing Stopper
21.....	JHJ012-21	Snap Ring
22.....	JHJ012-22	Stuffing Ring
.....	JHJ012-22LP	Stuffing Ring (for low profile)
23.....	JHJ012-23	Cylinder Packing*
24.....	JHJ012-24	Stopper Ring
25.....	JHJ012-25	Adjusting Screw Assembly
.....	JHJ012-25LP	Adjusting Screw Assembly (for low profile)
28.....	JHJ001-28	Oil Plug*
33.....	JHJ012-33	Ring

* denotes part included in repair kit

WARNING: This product can expose you to chemicals including styrene which is known to the State of California to cause cancer. For more information go to <http://www.p65warnings.ca.gov>.



Hydraulic Bottle Jacks

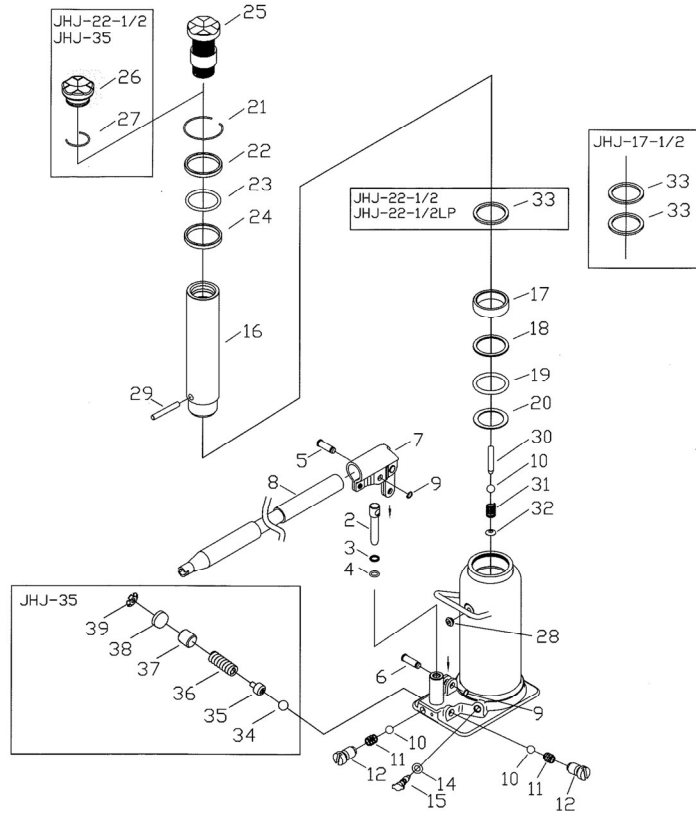
JHJ-17-1/2 (stock no. 453317)

JHJ-17-1/2L (stock no. 453318K)

JHJ-22-1/2 (stock no. 453322)

JHJ-22-1/2LP (stock no. 453323K)

JHJ-35 (stock no. 453335K)



	JHJ-17-1/2	JHJ-17-1/2L	JHJ-22-1/2	JHJ-22-1/2LP	JHJ-35
Rated capacity (ton)	17-1/2	17-1/2	22-1/2	22-1/2	35
Min. height (in.)	10-3/8	6-3/4	10-5/8	7-1/8	11
Piston height (in.)	6-1/2	3-1/2	6-1/4	3-3/8	6-1/4
Head screw (h/in.)	3-1/8	2-3/4	--	1-1/2	--
Max height (in.)	20	13	16-7/8	12	17-1/4
Base size (LxW/in.)	7-1/8 x 4-5/8	7-1/8 x 4-5/8	7-1/8 x 5-1/2	7-1/4 x 5-1/16	8-3/8 x 5-1/2
Weight (lbs)	24	19	28	23	48

* denotes part included in repair kit

JHJ-17-1/2 and JHJ-17-1/2L

Index No.	Part No.	Description
.....	JHJ017-RK	Repair Kit*
2	JHJ022-02	Pump Plunger
3	JHJ022-03	Pump Backup Ring
4	JHJ022-04	Pump Packing*
5	JHJ017-05	Pump Plunger Pin*
6	JHJ017-05	Pump Stay Pin
7	JHJ022-07	Handle Socket Assembly

Part No. M-453322
Revision J1 04/2019

JET

a Division of JPW Industries, Inc.
427 New Sanford Rd.
LaVergne, Tennessee 37086
Ph.: 800-274-6848
www.jettools.com

⚠ WARNING: This product can expose you to chemicals including styrene which is known to the State of California to cause cancer. For more information go to <http://www.p65warnings.ca.gov>.

8	JHJ017-08	Handle 3pc.
.....	JHJ017-08LP	Handle 1pc. (for low profile)
9	JHJ017-09	Pin Stopper Ring
10	SB-1/4	Valve Ball
11	JBJ5-3	Spring
12	JHJ017-12	Valve Plug
14	JHJ001-14	Release Packing*
15	JHJ001-15	Release Assembly Old
.....	JHJ001-15A	Release Stem New
16	JHJ017-16	Ram
.....	JHJ017-16LP	Ram (for low profile)
17	JHJ017-17	Ram Packing Seat
18	JHJ017-18	Ram Backup Ring*
19	JHJ017-19	Ram Packing*
20	JHJ017-20	Ram Packing Stopper
21	JHJ017-21	Snap Ring
22	JHJ017-22	Stuffing Ring
.....	JHJ017-22LP	Stuffing Ring (for low profile)
23	JHJ017-23	Cylinder Packing*
24	JHJ017-24	Stopper Ring
25	JHJ017-25	Adjusting Screw Assembly
.....	JHJ017-25LP	Adjusting Screw Assembly (for low profile)
28	JHJ001-28	Oil Plug*
29	JHJ017-29	Horizontal Pin
30	JHJ017-30	Vertical Pin
31	JHJ017-31	Ram Spring
32	JHJ017-32	Ram Spring Stopper Ring
33	JHJ017-33	Ring

JHJ-22-1/2 and JHJ-22-1/2LP

.....	JHJ022-RK	Repair Kit*
2	JHJ022-02	Pump Plunger
3	JHJ022-03	Pump Backup Ring
4	JHJ022-04	Pump Packing*
5	JHJ022-05	Pump Plunger Pin*
6	JHJ022-06	Pump Stay Pin
7	JHJ022-07	Handle Socket Assembly
8	JHJ022-08	Handle 3pc
.....	JHJ022-08LP	Handle 1pc (for low profile)
9	JHJ022-09	Pin Stopper Ring
10	SB-1/4	Valve Ball
11	JBJ5-3	Spring
12	JHJ022-12	Valve Plug
14	JHJ001-14	Release Packing*
15	JHJ001-15	Release Assembly Old
.....	JHJ001-15A	Release Stem New
16	JHJ022-16	Ram
.....	JHJ022-16LP	Ram (for low profile)
17	JHJ022-17	Ram Packing Seat
18	JHJ022-18	Ram Backup Ring*
19	JHJ022-19	Ram Packing*
20	JHJ022-20	Ram Packing Stopper
21	JHJ022-21	Snap Ring
22	JHJ022-22	Stuffing Ring
.....	JHJ022-22LP	Stuffing Ring (for low profile)
23	JHJ022-23	Cylinder Packing*
24	JHJ022-24	Stopper Ring
25	JHJ022-25LP	Adjusting Screw Assembly (for low profile)
26	JHJ035-26	Supporting Plate
27	JHJ035-27	Snap Ring
28	JHJ001-28	Oil Plug*
29	JHJ022-29	Horizontal Pin
30	JHJ022-30	Vertical Pin
31	JHJ022-31	Ram Spring
32	JHJ022-32	Ram Spring Stopper Ring
33	JHJ022-33	Ring

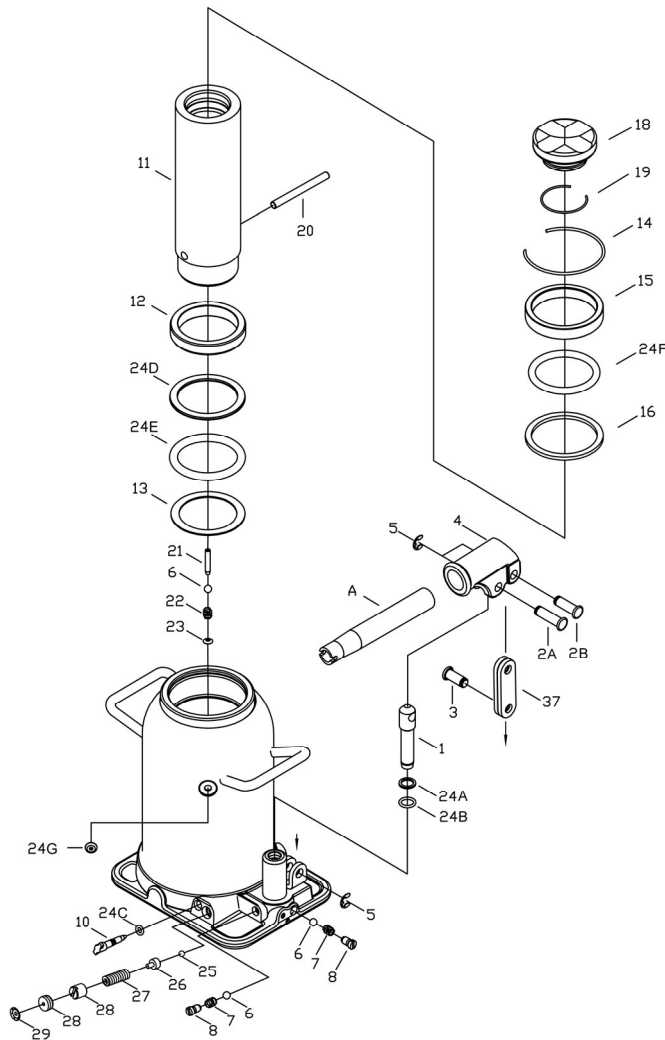
JHJ-35

.....	JHJ035-RK	Repair Kit*
2	JHJ022-02	Pump Plunger
3	JHJ035-03	Pump Backup Ring*
4	JHJ022-04	Pump Packing*
5	JHJ035-05	Pump Plunger Pin
6	JHJ022-06	Pump Stay Pin
7	JHJ035-07	Handle Socket
8	JHJ035-08	Handle 1pc
9	JHJ022-09	Pin Stopper Ring
10	SB-1/4	Valve Ball
11	JBJ5-3	Spring
12	JHJ035-12	Valve Plug
14	JHJ001-14	Release Packing*
15	JHJ001-15	Release Assembly Old
.....	JHJ001-15A	Release Stem New
16	JHJ035-16	Ram
17	JHJ035-17	Ram Packing Seat
18	JHJ035-18	Ram Backup Ring*
19	JHJ035-19	Ram Packing*
20	JHJ035-20	Ram Packing Stopper
21	JHJ035-21	Snap Ring
22	JHJ035-22	Stuffing Ring
23	JHJ035-23	Cylinder Packing*
24	JHJ035-22	Stopper Ring
26	JHJ035-26	Supporting Plate
27	JHJ035-27	Snap Ring
28	JHJ035-28	Oil Plug*(Ref JHJ001-28)
29	JHJ035-29	Horizontal Pin
30	JHJ035-30	Vertical Pin
31	JHJ035-31	Ram Spring
32	JHJ035-32	Ram Spring Stopper Ring
34	SB-5/32	Safety Valve Ball
35	JHJ035-35	Safety Valve Receiver
36	JHJ035-36	Safety Valve Spring
37	JHJ035-37	Safety Valve Adjust Screw
38	JHJ035-38	Safety Valve Packing
39	JHJ035-39	Push Nut



JHJ-060

Hydraulic Bottle Jack JHJ-060 (stock no. 453360)



Index No.	Part No.	Description
.....	JHJ060-RK	Repair Kit*
A	JHJ060-A	Handle
1	JHJ060-01	Pump Plunger
2A	JHJ060-02	Pump Plunger Pin
2B	JHJ060-02B	Handle Socket Pin
3	JHJ060-03	Pump Stay Pin
4	JHJ060-04	Handle Socket Assembly
5	JHJ060-05	Snap Ring
6	SB-1/4	Valve Ball
7	JB5-3	Valve Spring
8	JHJ060-08	Valve Plug
10	JHJ001-15	Release Assembly Old
.....	JHJ001-15A	Release Stem New
11	JHJ060-11	Ram
12	JHJ060-12	Ram Packing Seat
13	JHJ060-13	Ram Packing Stopper
14	JHJ060-14	Snap Ring
15	JHJ060-15	Stuffing Ring
16	JHJ060-16	Stopper Ring
18	JHJ060-18	Supporting Plate
19	JHJ060-19	Snap Ring
20	JHJ060-20	Horizontal Pin
21	JHJ060-21	Vertical Pin
22	JHJ060-22	Ram Spring
23	JHJ060-23	Ram Spring Stopper Ring
24A	JHJ060-24A	Pump Backup Ring*
24B	JHJ060-24B	Pump Packing*
24C	JHJ060-24C	Release Packing*
24D	JHJ060-24D	Ram Backup Ring*
24E	JHJ060-24E	Ram Packing*
24F	JHJ060-24F	Cylinder Packing*
24G	JHJ060-24G	Oil Plug*
25	SB-5/32	Safety Valve Ball
26	JHJ060-26	Safety Valve Receiver
27	JHJ060-27	Safety Valve Spring
28A	JHJ060-28	Safety Valve Adjust Screw
28B	JHJ060-28B	Safety Valve Packing
29	JHJ060-290	Push Nut
37	JHJ060-37	Pump Stay

* NOTE: Repair kit includes parts 24A thru 24G.

WARNING: This product can expose you to chemicals including styrene which is known to the State of California to cause cancer. For more information go to <http://www.p65warnings.ca.gov>.

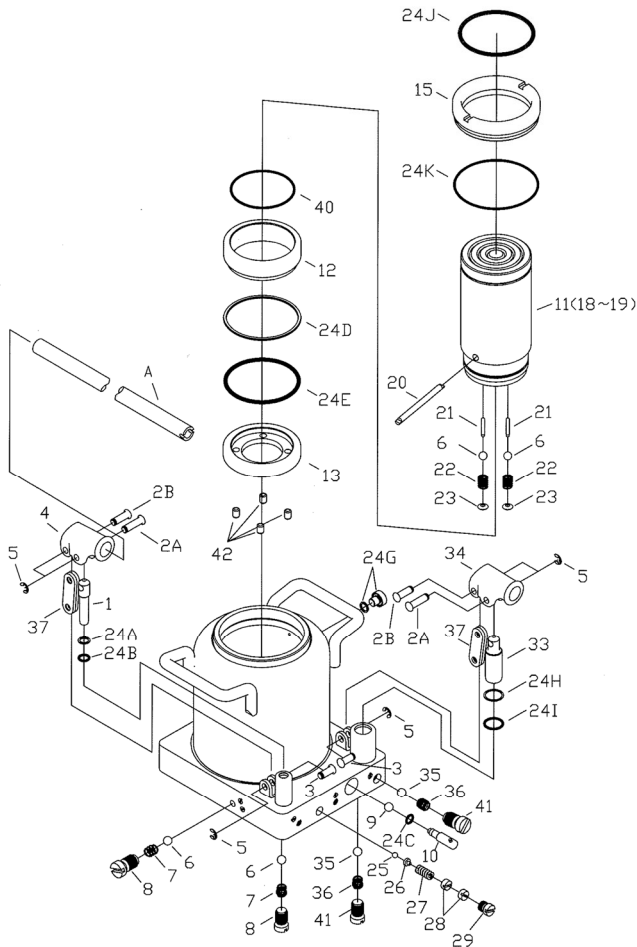
	JHJ-060
Rated capacity	60 ton
Minimum height (in.)	12
Piston height (in.)	6-3/4
Head screw (h/in.)	--
Maximum height (in.)	8-5/8
Base size (LxW/in.)	9-1/4 x 7-3/8
Weight (lbs)	82

Part No. M-453360
Revision J1 04/2019

JET
a Division of JPW Industries, Inc.
427 New Sanford Rd.
LaVergne, Tennessee 37086
Ph.: 800-274-6848
www.jettools.com



Hydraulic Bottle Jack
JHJ-100 (stock no. 453399)



JHJ-100

Index No.	Part No.	Description
.....	JHJ100-RK	Repair Kit*
A	JHJ100-A	Handle
1	JHJ100-01	Pump Plunger
2A	JHJ100-02	Pump Plunger Pin
2B	JHJ100-02B	Handle Socket Pin
3	JHJ100-03	Pump Stay Pin
4	JHJ100-04	Handle Socket
5	JHJ100-05	Snap Ring
6	SB-1/4	Valve Ball
7	JB5-3	Valve Spring
8	JHJ100-08	Valve Plug
9	SB-13/32	Release Ball
10	JHJ001-15	Release Assembly Old
.....	JHJ001-15A	Release Stem New
11	JHJ100-11	Ram Assembly (incl. 18 & 19)
12	JHJ100-12	Ram Packing Seat
13	JHJ100-13	Ram Packing Stopper
15	JHJ100-15	Stuffing Ring
18	JHJ100-18	Supporting Plate
19	JHJ100-19	Snap Ring
20	JHJ100-20	Horizontal Pin
21	JHJ100-21	Vertical Pin
22	JHJ100-22	Ram Spring
23	JHJ100-23	Ram Spring Stopper Ring
24A	JHJ100-24A	Pump Backup Ring*
24B	JHJ100-24B	Pump Packing*
24C	JHJ100-24C	Release Packing*
24D	JHJ100-24D	Ram Backup Ring*
24E	JHJ100-24E	Cylinder Packing w/ O-Ring*
24G	JHJ100-24G	Oil Plug*
24H	JHJ100-24H	Lower Pressure Pump Backup Ring*
24I	JHJ100-24I	Lower Pressure Pump Packing*
24J	JHJ100-24J	Inner Packing*
24K	JHJ100-24K	Outer Packing*
25	SB-3/16	Safety Valve Ball
26	JHJ100-26	Safety Valve Receiver
27	JHJ100-27	Safety Valve Spring
28	JHJ100-28	Safety Valve Adjust Screw
29	JHJ100-29	Safety Valve Plug
33	JHJ100-33	Lower Pressure Pump Plunger
34	JHJ100-34	Lower Pressure Handle Socket
35	SB-13/32	Lower Pressure Valve Ball
36	JHJ100-36	Lower Pressure Valve Spring
37	JHJ100-37	Pump Stay
40	JHJ100-40	Inner Packing
41	JHJ100-41	Lower Pressure Valve Plug
42	JHJ100-42	Set Screw

* NOTE: Repair kit includes parts 24A thru 24K.

	JHJ-100
Rated capacity	100 ton
Minimum height (in.)	12
Piston height (in.)	5-23/32
Head screw (h/in.)	--
Maximum height (in.)	17-11/16
Base size (LxW/in.)	14-31/32 x 10-7/16
Weight (lbs)	225

WARNING: This product can expose you to chemicals including styrene which is known to the State of California to cause cancer. For more information go to <http://www.p65warnings.ca.gov>.

Part No. M-453399
 Revision J1 04/2019

JET
 a Division of JPW Industries, Inc.
 427 New Sanford Rd.
 LaVergne, Tennessee 37086
 Ph.: 800-274-6848
www.jettools.com