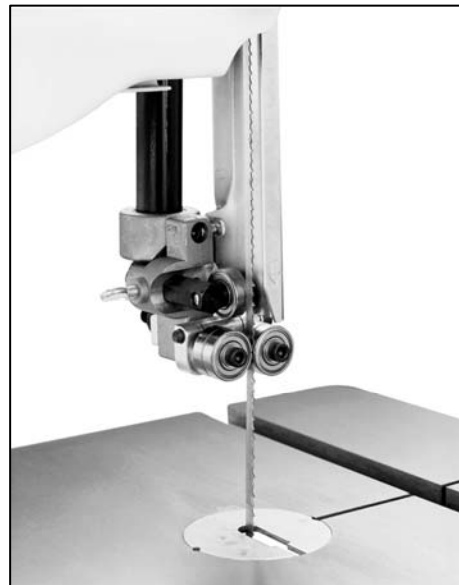




Assembly Instructions & Parts List #708127 JRBG-14 Roller Bearing Guide Set



Pre-Assembly

1. Disconnect the saw from the power source, unplug.
2. It is easier to install the new guides if you remove the band saw's table.
3. Remove the circular *table insert* found on the top of the table, and also the *table pin* found on the side of the table. The table can be removed by unscrewing the *lock knobs* found below the table trunnion.
4. Remove the existing *blade guides*.

Upper Bearing Guide

Referring to Figure 1:

1. Fit the *upper bearing guide* onto the *guide post* and tighten the hex cap screw.

Note: Model JWBS-14OS Band Saw requires *bushing* (Part No. 150214) shown in G, Fig. 2.

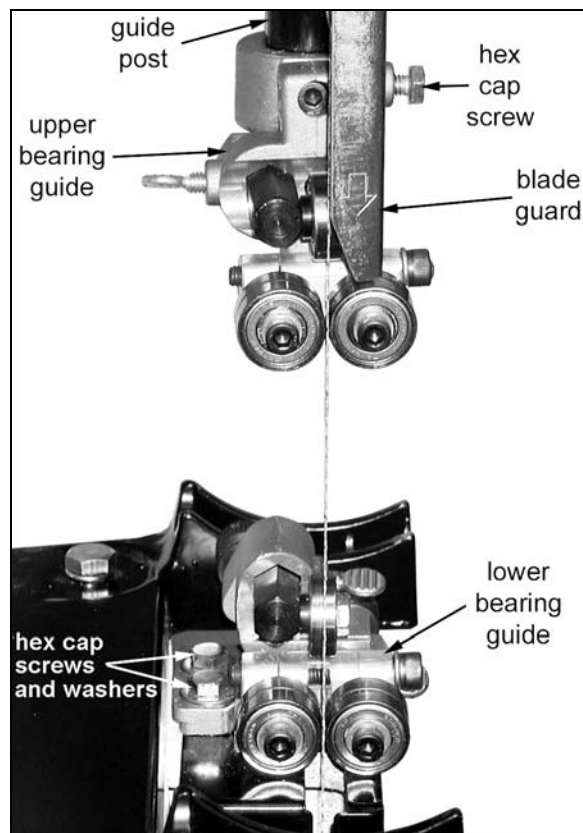


Figure 1

JET

427 New Sanford Road
LaVergne, Tennessee 37086
Ph.: 800-274-6848
www.jettools.com

Part No. M-708127
Revision C1 05/2014

Copyright © 2014 JET, a Division of JPW Industries, Inc.

Referring to Figure 2:

2. Adjust the *back-up bearing* (Fig. 2) so that it is 0.003" away from the back of the blade, about the thickness of a piece of paper. To make this adjustment loosen *thumb screw* (F, Fig. 2) and turn the *adjusting screw* (E, Fig. 2) until the adjustment is correct. Tighten *thumb screw* (F, Fig. 2).
3. Loosen the *thumb screw* (C, Fig. 2) and turn the *adjusting screw* (D, Fig. 2) until the bearing guides rest just behind the gullet of the blade teeth.
4. Loosen the *socket head cap screw* (A, Fig. 2) and turn the *screw* (B, Fig. 2) clockwise or counter-clockwise until the *side-bearing* (Fig. 2) is 0.003" away from the side of the bearing, about the thickness of a piece of paper.
5. Adjust the opposite side bearing.
6. Tighten *socket head cap screw* (A, Fig. 2). Check to make sure the adjustments have not changed and the bearing guides do not pinch the blade.
7. Attach the blade guard.

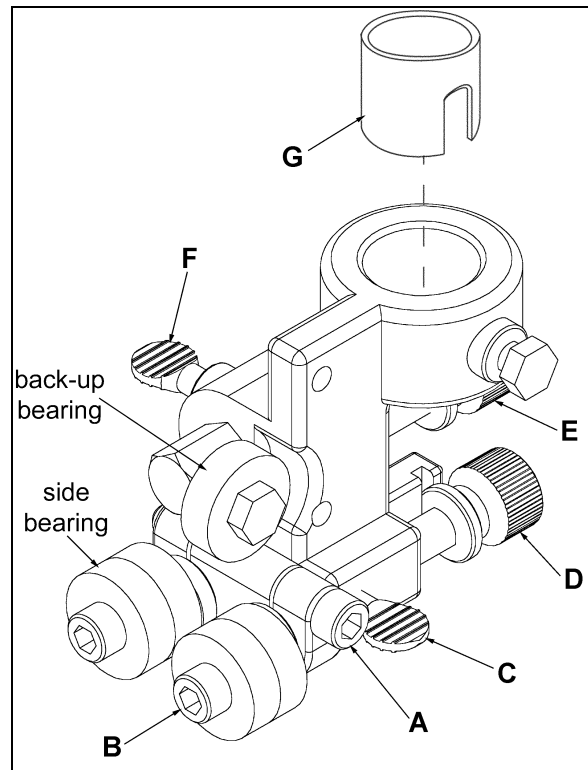


Figure 2

Lower Bearing Guide

1. Attach the *lower bearing guide* (Fig. 1) with two *hex cap screws and washers* (Fig. 1).

Referring to Figure 3:

2. Adjust the *back-up bearing* so that it is 0.003" away from the back of the blade, about the thickness of a piece of paper. To make this adjustment loosen *thumb screw* (A, Fig. 3) and turn the *adjusting screw* (B, Fig. 3) until the adjustment is correct. Tighten *thumb screw* (A, Fig. 3).
3. Loosen the *thumb screw* (C, Fig. 3) and turn the *adjusting screw* (D, Fig. 3) until the bearing guides rest just behind the gullet of the blade teeth.
4. Loosen the *socket head cap screw* (E, Fig. 3) and turn the *screw* (F, Fig. 3) clockwise or counter-clockwise until the bearing is 0.003" away from the side of the bearing, about the thickness of a piece of paper.
5. Adjust the opposite side bearing.
6. Tighten *socket head cap screw* (E, Fig. 3). Check to make sure the adjustments have not changed and the bearing guides do not pinch the blade.

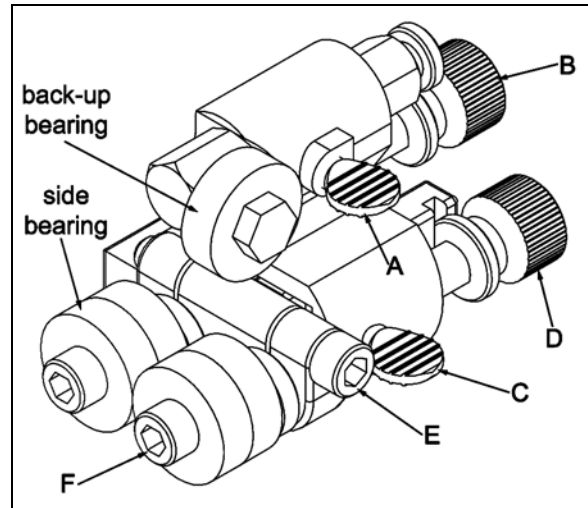
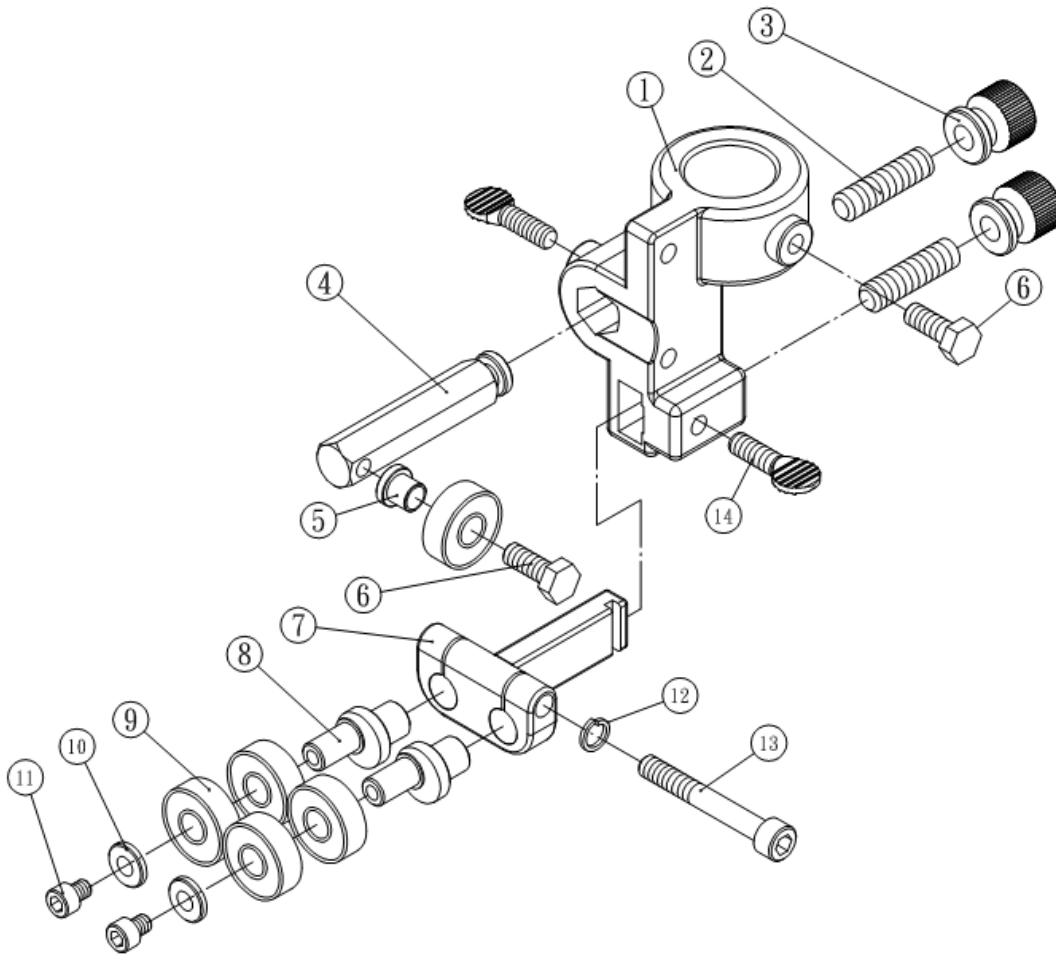


Figure 3

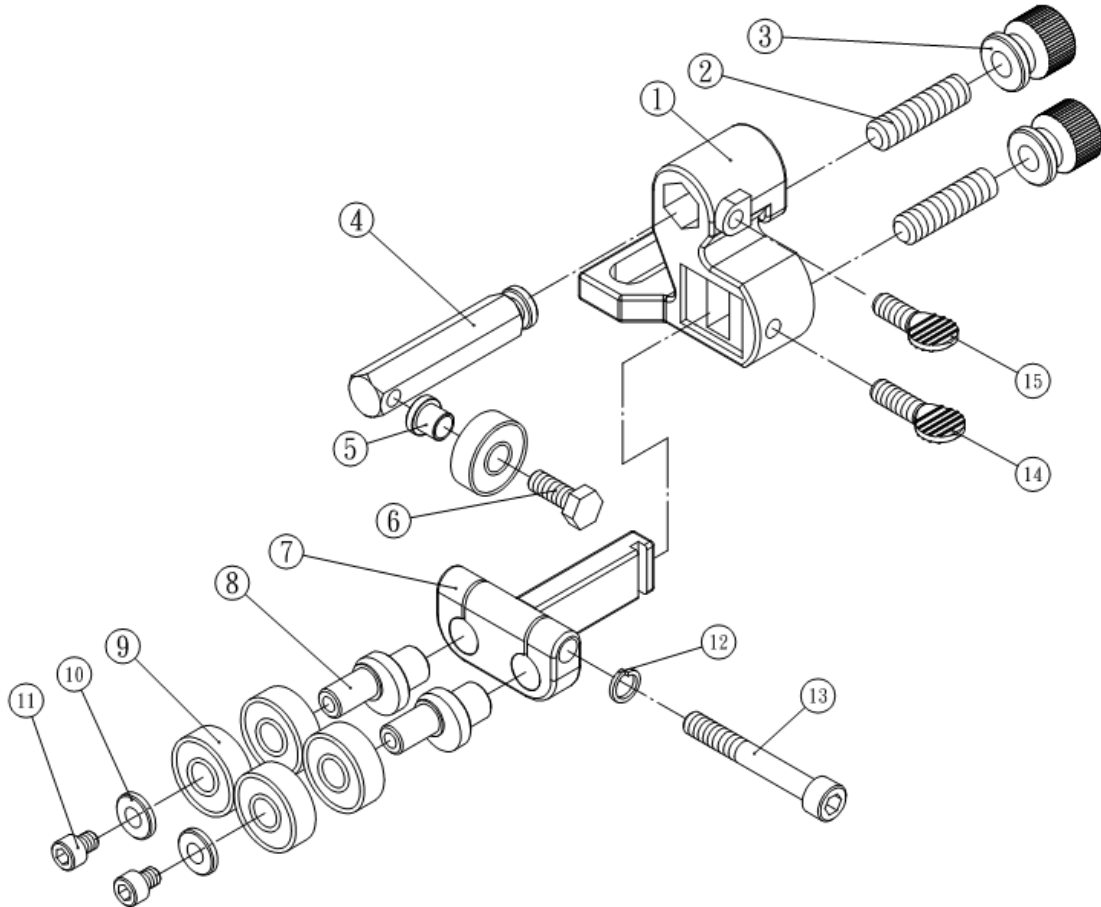
Parts List for #708127, JRBG-14

Upper Support and Blade Guide Assembly



Index No	Part No	Description	Size	Qty
.....	JWBS14DP-4.....	Upper Support & Blade Guide Assembly (#1-14)		1
1.....	PWBS14-226.....	Upper Support Bracket		1
2.....	JWBS14DP-4-3.....	Socket Set Screw	M8x35	2
3.....	150010A	Adjusting Nut.....		2
4.....	PWBS14-230.....	Spacing Sleeve		1
5.....	PWBS14-231.....	Bearing Sheath.....		1
6.....	TS-1482041	Hex Cap Screw	M6x20	2
7.....	PWBS14-239.....	Support Bracket.....		1
8.....	PWBS14-240.....	Eccentric Shaft		2
9.....	BB-608ZZ	Ball Bearing.....	608ZZ.....	5
10.....	TS-1550031	Flat Washer.....	M5.....	2
11.....	TS-1502031	Socket Head Cap Screw.....	M5x12	2
12.....	TS-2361051	Lock Washer	M5.....	1
13.....	TS-1502091	Socket Head Cap Screw.....	M5x40	1
14.....	150013A	Thumb Screw	M6x16	2

Lower Support and Blade Guide Assembly



Index No	Part No	Description	Size	Qty
	JWBS14DP-5	Lower Support & Blade Guide Assembly (#1-15)		1
1	PWBS14-241	Lower Support Bracket		1
2	JWBS14DP-4-3	Socket Set Screw	M8x35	2
3	150010A	Adjusting Nut		2
4	PWBS14-230	Spacing Sleeve		1
5	PWBS14-231	Bearing Sheath		1
6	TS-1482041	Hex Cap Screw	M6x20	1
7	PWBS14-239	Support Bracket		1
8	PWBS14-240	Eccentric Shaft		2
9	BB-608ZZ	Ball Bearing	608ZZ	5
10	TS-1550031	Flat Washer	M5	2
11	TS-1502031	Socket Head Cap Screw	M5x12	2
12	TS-2361051	Lock Washer	M5	1
13	TS-1502091	Socket Head Cap Screw	M5x40	1
14	150013A	Thumb Screw	M6x16	1
15	150014A	Thumb Screw	M6x12	1

To order parts or reach our service department, call 1-800-274-6848 Monday through Friday (see our website for business hours, www.jettools.com).