



Operating Instructions and Parts Manual Dual Station Abrasive Notcher

Models: DSAN4-1, DSAN4-3



JET
427 New Sanford Road
LaVergne, Tennessee 37086
Ph.: 800-274-6848
www.jettools.com

Part No. M-756180
Edition 4 04/2019
Copyright © 2017 JET



1.0 IMPORTANT SAFETY INSTRUCTIONS

WARNING – To reduce risk of injury:

1. Read and understand the entire owner's manual before attempting assembly or operation.
2. Read and understand the warnings posted on the machine and in this manual. Failure to comply with all of these warnings may cause serious injury.
3. Replace the warning labels if they become obscured or removed.
4. This Abrasive Notcher is designed and intended for use by properly trained and experienced personnel only. The manual is not, nor was it intended to be, a training manual. If you are not familiar with the proper and safe operation of an abrasive notcher do not use until proper training and knowledge have been obtained.
5. Do not use this machine for other than its intended use. If used for other purposes, JET disclaims any real or implied warranty and holds itself harmless from any injury that may result from that use.
6. Always wear protective eye wear when operating machinery. Eye wear shall be impact resistant, protective safety glasses with side shields which comply with ANSI Z87.1 specifications. Use of eye wear which does not comply with ANSI Z87.1 specifications could result in severe injury from breakage of eye protection. (Everyday eyeglasses only have impact resistant lenses; they are NOT safety glasses.)
7. Before operating this machine, remove tie, rings, watches and other jewelry, and roll sleeves up past the elbows. Do not wear loose clothing. Confine long hair. Non-slip footwear or anti-skid floor strips are recommended.
8. Wear protective footwear, such as steel-toed shoes, when working with metal materials.
9. Wear ear protectors (plugs or muffs) if sound exceeds safe levels.
10. Make certain the switch is in the OFF position before connecting the machine to the power supply.
11. Make certain the machine is properly grounded.
12. Make all machine adjustments or maintenance with the machine disconnected from the power source.
13. Remove adjusting keys and wrenches. Form a habit of checking to see that keys and adjusting wrenches are removed from the machine before turning it on.
14. Keep safety guards in place at all times when the machine is in use. If removed for maintenance purposes, use extreme caution and replace the guards immediately after completion of maintenance.
15. Check damaged parts. Before further use of the machine, a guard or other part that is damaged should be carefully checked to determine that it will operate properly and perform its intended function. Check for alignment of moving parts, binding of moving parts, breakage of parts, mounting and any other conditions that may affect its operation. A guard or other part that is damaged should be properly repaired or replaced.
16. Provide for adequate space surrounding work area and non-glare, overhead lighting.
17. Keep the floor around the machine clean and free of scrap material, oil and grease.
18. Keep visitors a safe distance from the work area. Keep children away.
19. Make your workshop child proof with padlocks, master switches or by removing starter keys.
20. Give your work undivided attention. Looking around, carrying on a conversation and "horse-play" are careless acts that can result in serious injury.
21. Maintain a balanced stance at all times so that you do not fall into the abrasive belt or other moving parts. Do not overreach or use excessive force to perform any machine operation.
22. Use the right tool at the correct speed and feed rate. Do not force a tool or attachment to do a job for which it was not designed. The right tool will do the job better and more safely.
23. Feed work into a blade or cutter against the direction of rotation of the blade or cutter only.
24. Use recommended accessories; improper accessories may be hazardous.
25. Maintain tools with care. Keep abrasive belt clean for the best and safest performance. Follow instructions for lubricating and changing accessories.
26. Turn off the machine before cleaning. Use a brush, compressed air, or vacuum to remove chips or debris — do not use bare hands.

27. Do not stand on the machine. Serious injury could occur if the machine tips over.
28. Never leave the machine running unattended. Turn the power off and do not leave the machine until it comes to a complete stop.
29. Remove loose items and unnecessary work pieces from the area before starting the machine.
30. Do not place hands near abrasive belt while machine is operating.
31. Don't use in dangerous environment. Don't use power tools in damp or wet location, or expose them to rain. Keep work area well lighted.
32. Use proper extension cord. Make sure your extension cord is in good condition. When using an extension cord, use one heavy enough to carry the current your product will draw. An undersized cord will cause a drop in line voltage resulting in loss of power and overheating. Sect. 6.3, Table 2 shows correct size to use depending upon cord length and nameplate ampere rating. If in doubt, use the next heavier gauge. The smaller the gauge number, the heavier the cord.

⚠ WARNING: This product can expose you to chemicals including lead which is known to the State of California to cause cancer and birth defects or other reproductive harm. For more information go to <http://www.p65warnings.ca.gov>.

⚠ WARNING: Some dust, fumes and gases created by power sanding, sawing, grinding, drilling, welding and other construction activities contain chemicals known to the State of California to cause cancer and birth defects or other reproductive harm. Some examples of these chemicals are:

- lead from lead based paint
- crystalline silica from bricks, cement and other masonry products
- arsenic and chromium from chemically treated lumber

Your risk of exposure varies, depending on how often you do this type of work. To reduce your exposure to these chemicals, work in a well-ventilated area and work with approved safety equipment, such as dust masks that are specifically designed to filter out microscopic particles. For more information go to <http://www.p65warnings.ca.gov/> and <http://www.p65warnings.ca.gov/wood>.

Familiarize yourself with the following safety notices used in this manual:



This means that if precautions are not heeded, it may result in minor injury and/or possible machine damage.



This means that if precautions are not heeded, it may result in serious, or possibly even fatal, injury.

2.0 About this manual

This manual is provided by JET, covering the safe operation and maintenance procedures for the JET DSAN4-series Abrasive Notchers. This manual contains instructions on installation, safety precautions, general operating procedures, maintenance instructions and parts breakdown. Your machine has been designed and constructed to provide consistent, long-term operation if used in accordance with the instructions as set forth in this document.

If there are questions or comments, please contact your local supplier or JET. JET can also be reached at our web site: www.jettools.com.

Retain this manual for future reference. If the machine transfers ownership, the manual should accompany it.



Read and understand the entire contents of this manual before attempting assembly or operation! Failure to comply may cause serious injury!

Register your product using the mail-in card provided, or register online – <http://www.jettools.com/us/en/service-and-support/product-registration/>

3.0 Table of contents

Section	Page
1.0 IMPORTANT SAFETY INSTRUCTIONS	2
2.0 About this manual	3
3.0 Table of contents	4
4.0 Specifications for DSAN4-series Abrasive Notchers	5
4.1 Base mounting hole centers	6
5.0 Setup and assembly	7
5.1 Shipping contents	7
5.2 Unpacking and locating	7
6.0 Electrical connections	7
6.1 Converting to 460V (DSAN4-3 only)	7
6.2 GROUNDING INSTRUCTIONS	8
6.3 Extension cords	8
7.0 Adjustments	8
7.1 Dust and chip collection	8
7.2 Jaw adjustments	8
7.3 Wheel grinding	9
7.4 Changing abrasive belts	9
7.5 Removing/installing rollers	9
7.6 Belt tracking	9
7.7 Adjustable handles	10
8.0 Operation	10
8.1 Operating controls	10
9.0 User-maintenance	10
9.1 General maintenance	10
9.2 Lubrication	10
9.3 Additional servicing	10
10.0 Troubleshooting DSAN4-series Abrasive Notchers	11
11.0 Replacement Parts	12
11.1.1 DSAN4-1,-3 Dual Station Notchers – Exploded View	12
11.1.2 DSAN4-1,-3 Dual Station Abrasive Notchers – Parts List	13
12.0 Electrical Connections, DSAN4 series Abrasive Notcher	16
12.1 Wiring Diagram for DSAN4-1 (230V-1PH)	16
12.2 Wiring Diagram for DSAN4-3 (230V 3PH)	17
12.3 Wiring Diagram for DSAN4-3 (460V 3PH)	18
13.0 Warranty and service	19

4.0 Specifications for DSAN4-series Abrasive Notchers

Table 1

Model number	756180	756185
Stock number	DSAN4-1	DSAN4-3
Motor and Electricals		
Motor type	Non-totally-enclosed, fan-cooled, AC induction	
Horsepower	4 HP (3.0 kW)	
Motor Phase	1	3
Motor Voltage	230V	230/460V (prewired 230V) ¹
Cycle	60 Hz	
Listed FLA (full load amps)	16 A	10.5/5.5 A
Starting amps	58 A	46/23 A
Running amps (no load)	6.34 A	3.46/2.81 A
Start capacitor	300 μ F 300VAC	n/a
Run capacitor	60 μ F 450VAC	n/a
Motor speed	3400 RPM	
Power transfer	Direct drive	
Power cord	SJT 3x3.31mm ² 12AWG 300V, L: 3000mm (10 ft.)	SJT 4x2.08mm ² 14AWG 600V, L: 3000mm (10 ft.)
Power plug	Not included	
Recommended circuit size ²	25 A	15 A
Sound emission without load ³	85 dB at 1.5m from machine	
Capacities		
Belt speed	115.6 fps	
Belt direction	Fwd and Rev	
Pipe notching capacity, OD	1/2 to 2-1/2 in.	
Notching angle	30 deg. to 90 deg.	
Main materials		
Belts provided	Zirconium, closed coat, 36/60/80G	
Main body, column and base	Sheet metal	
Dimensions		
Belt size	79 x 4 in. (2000 x 100 mm)	
Standard rolls ⁴	NPS \varnothing : 1/2, 3/4, 1, 1-1/4, 1-1/2, 2, 2-1/2 in.; L=4-3/4 in. (120.7 mm)	
Working height	43-3/8 in. (1100 mm)	
Drive wheel diameter	7-11/16 in. (195 mm)	
Dust ports (2)	3 in. OD	
Footprint/Base dimensions LxW	20 x 27-7/8 in. (508 x 710 mm)	
Overall assembled LxWxH	48 x 24 x 47 in. (1200 x 600 x 1180 mm)	
Shipping dimensions LxWxH	56 x 33-1/2 x 57-1/2 in. (1420 x 850 x 1460 mm)	
Weights		
Net weight	344 lbs (155 kg)	
Shipping weight	510 lbs (230 kg)	

¹ conversion to 460-volt requires additional purchase and installation of DSAN4-3-128-460, Thermal Relay.

² subject to local and national electrical codes.

³ The specified values are emission levels and are not necessarily to be seen as safe operating levels. As workplace conditions vary, this information is intended to allow the user to make a better estimation of the hazards and risks involved only.

⁴ Diameters are nominal pipe size; see parts list for actual physical dimensions.

L = length, W = width, H = height OD = outside diameter n/a = not applicable fps = feet per second

The specifications in this manual were current at time of publication, but because of our policy of continuous improvement, JET reserves the right to change specifications at any time and without prior notice, without incurring obligations.

4.1 Base mounting hole centers

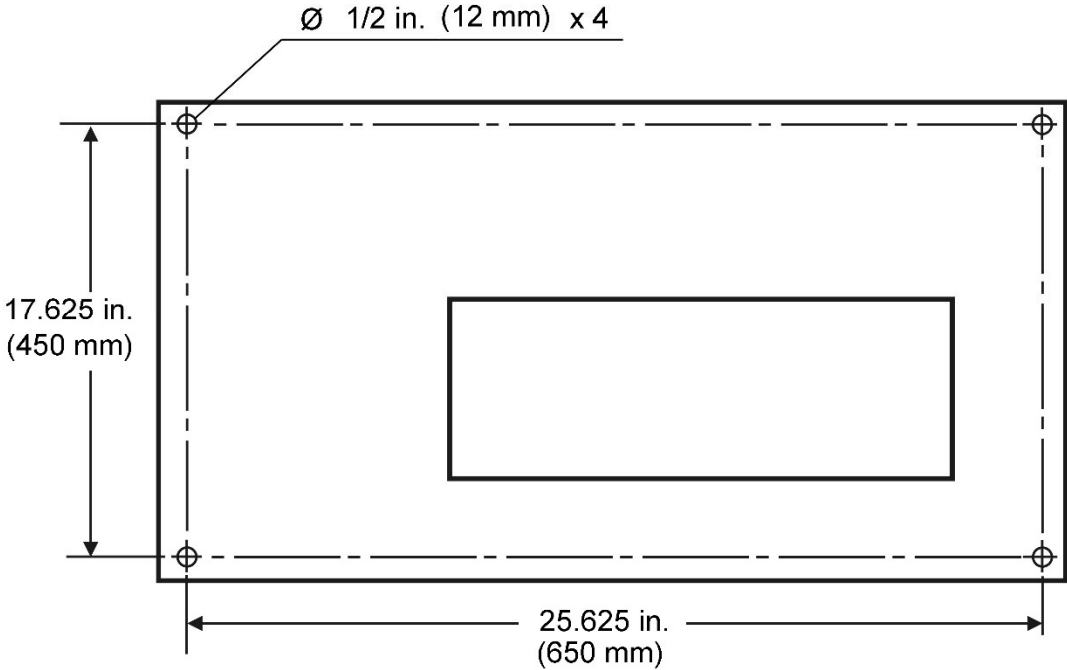


Figure 4-1

⚠WARNING Read and understand all assembly and setup instructions before attempting assembly. Failure to comply may cause serious injury.

5.0 Setup and assembly

5.1 Shipping contents

See Figure 5-1

- 1 Abrasive Notcher
- 1 Abrasive belt (80-grit) preinstalled
- 1 Set of 3 abrasive belts (36,60,80-grit)*
- 7 Rollers (one roller is pre-installed)
- 1 Open end wrench, 22/24mm
- 3 Hex wrenches, 4,6,8 mm
- 1 Operating instructions and parts list
- 1 Product registration card

5.2 Unpacking and locating

1. Inspect contents for shipping damage. Report damage, if any, to your distributor. Do not discard shipping materials until Notcher is set up and running properly.
2. Compare contents of shipping carton with the contents list above. Report shortages, if any, to your distributor.
3. The Abrasive Notcher should be located on a sturdy, level floor in a dry environment, with good overhead lighting and room enough for loading and offloading of stock, and general maintenance.
4. Lift machine using hook or straps through lifting plate (Figure 5-1). Make sure lifting equipment capacity *exceeds* maximum weight of Notcher.

⚠WARNING Machine is heavy; use appropriate lifting device and exercise caution when moving to final location. Failure to comply may cause serious injury.

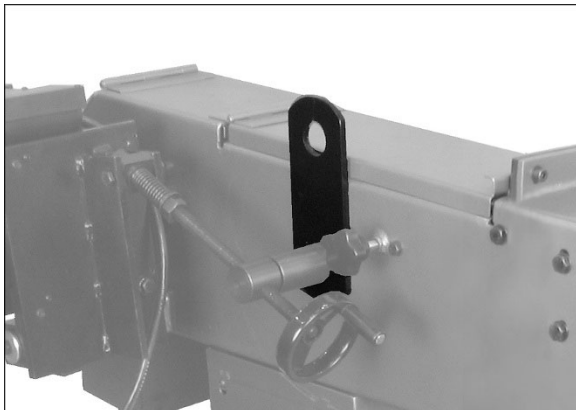


Figure 5-1

5. It is recommended that Notcher be bolted to floor, using lag screws or similar means. See mounting pattern, Figure 4.1.
6. Remove rust protectant from exposed surfaces with a clean rag and cleaner/degreaser or kerosene. Avoid getting solvents on rubber or plastic parts.

IMPORTANT: The vise handle (see A, Figure 7-1) has been tightened for shipping purposes. To allow proper operation, loosen screw (A₁, Figure 7-1) about two revolutions.

6.0 Electrical connections

⚠WARNING Electrical connections must be made by a qualified electrician in compliance with all relevant codes. This machine must be properly grounded to help prevent electrical shock and possible fatal injury.

The DSAN4-1 is pre-wired for **230 volt, single-phase** operation. It is recommended that the DSAN4-1 be connected to a dedicated 25 amp circuit with circuit breaker or fuse.

The DSAN4-3 is prewired for **230 volt, three-phase** operation, but can be converted to 460 volt, three-phase operation (see sect. 6.1). It is recommended that the DSAN4-3 be connected to a dedicated 15 amp circuit with a circuit breaker or fuse.

NOTE: Local codes take precedence over recommendations.

These machines are not provided with a power plug; you may either attach a proper UL/CSA-listed plug, or "hardwire" the machine directly to a service panel (make sure a disconnect is available to the operator).

If hardwired:

Permanently connected tools: This tool should be connected to a grounded metal permanent wiring system; or to a system having an equipment-grounding conductor.

6.1 Converting to 460V (DSAN4-3 only)

The DSAN4-3 (3 phase model) can be converted to 460 volt input, as follows:

1. Disconnect machine from power source.
2. Remove rear panel, and replace the 230-volt *thermal relay* with a 460-volt thermal relay (part no. DSAN4-3-128-460, contact JET to order).
3. Reconnect the wires on the *transformer* from 230V to 460V position. See sect. 12.0 diagrams.

4. Connect the *motor* leads to the incoming power source, according to the diagram on inside cover of motor junction box. Similar diagrams are in *sect. 12.0* of this manual.
5. If using a plug, replace the 230V plug with a proper 460V, UL/CSA-listed plug.
6. Turn on machine (see *sect. 8.1* for controls). If abrasive belt moves wrong direction from that shown on operating panel (Figure 8-1), disconnect from power and switch any two of the 3 wires to the motor (not the green ground wire).
7. Reinstall rear panel before operating.

6.2 GROUNDING INSTRUCTIONS

This tool must be grounded. In the event of a malfunction or breakdown, grounding provides a path of least resistance for electric current to reduce the risk of electric shock. This tool is equipped with an electric cord having an equipment-grounding conductor. If a plug is used, it must be inserted into an appropriate outlet that is properly installed and grounded in accordance with all local codes and ordinances.

⚠WARNING Improper connection of the equipment-grounding conductor can result in a risk of electric shock. Check with a qualified electrician or service person if you are in doubt as to whether the outlet is properly grounded. Do not modify the plug – if it will not fit the outlet, have a proper outlet installed by a qualified electrician.

The conductor with insulation having an outer surface that is green with or without yellow stripes is the equipment-grounding conductor. If repair or replacement of the electric cord or plug is necessary, do not connect the equipment-grounding conductor to a live terminal.

Repair or replace damaged or worn cord immediately.

6.3 Extension cords

The use of extension cords is discouraged; try to position equipment within reach of the power source. If an extension cord becomes necessary, be sure it is heavy enough to carry the current your product will draw. An undersized cord will cause a drop in line voltage resulting in loss of power and overheating.

Table 2 shows recommended size to use depending on cord length and nameplate ampere rating. If in doubt, use the next heavier gauge. The smaller the gauge number, the heavier the cord.

Ampere Rating		Volts	Total length of cord in feet			
More Than	Not More Than		50	100	200	300
		240				
			AWG			
0	6		18	16	16	14
6	10		18	16	14	12
10	12		16	16	14	12
12	16		14	12	Not Recommended	

Extension Cord Recommendations

Table 2

7.0 Adjustments

⚠WARNING Disconnect machine from power source before making adjustments, unless indicated otherwise.

7.1 Dust and chip collection

The chip boxes (see F, Figure 7-2) are located to catch swarf/chips at point of workpiece contact. The box near the jaw assembly freely slides in and out; the box beneath the wheel grinder is secured by a screw.

The circular plate at bottom of each chip box can be removed to connect a dust collection hose using a hose clamp. It is strongly recommended that a dust collection system (not provided) suitable for metal working be used with the Notcher.

7.2 Jaw adjustments

See Figure 7-1.

Handle (A) – Moves jaw assembly toward and away from belt. Adjust handle sensitivity by loosening or tightening socket head screw (A₁) beneath handle.

Locking lever (B) – Push to right to lock lateral slide; left to unlock.

Handle (C) – Rotate to move floating jaw.

Angle locking screw (D) – Loosen to rotate jaw assembly for angular work. Refer to adjoining angle scale. Always tighten screw before operating.

Workstop assembly (E) – Loosen handle to adjust.

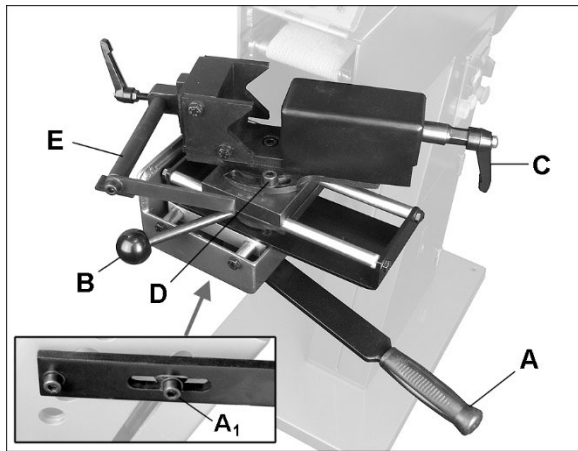


Figure 7-1

7.3 Wheel grinding

CAUTION For safety, gap between table and grinding wheel should not exceed 1/16-inch (1.6mm).

Adjust table (G, Figure 7-2) into position and tighten handle (H).

When finished using grinding wheel, adjust table so that guard can be closed completely, as shown in Figure 7-2b.

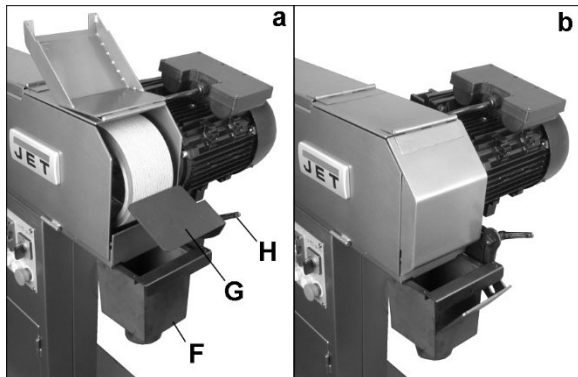


Figure 7-2

7.4 Changing abrasive belts

1. Disconnect machine from power source.
2. Open side and top covers.
3. Remove tension from belt by rotating handwheel (J, Figure 7-3) counterclockwise.
4. Tension belt with handwheel (J).
5. Track belt. See sect. 7.6.
6. Close all covers.

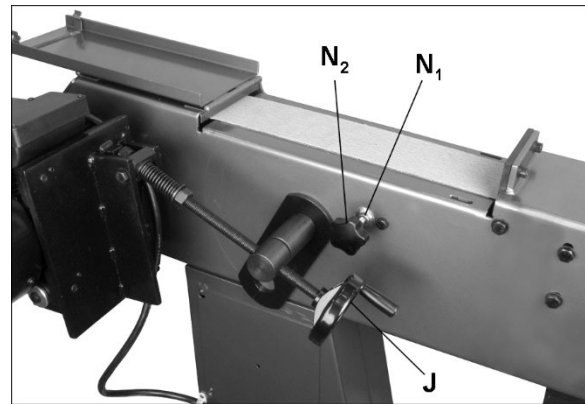


Figure 7-3

7.5 Removing/installing rollers

1. Disconnect machine from power source.
2. Remove tension from abrasive belt (J, Figure 7-3).
3. Loosen hex nuts (K, Figure 7-4) and turn set screws (L) to lower steel balls (M).
4. Slide out roller and insert new roller.
5. Raise balls (M) by turning set screws (L), tighten hex nuts (K), and tension belt.

The additional rollers can be stored on the rack within the column – open column door to access.

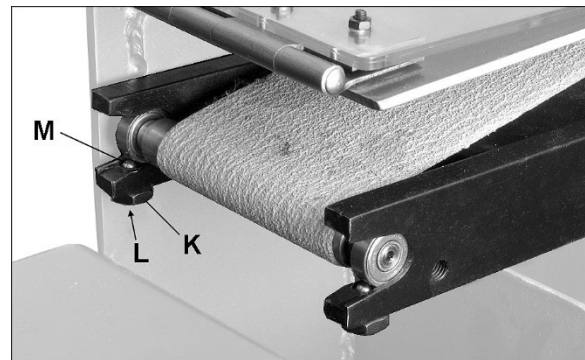


Figure 7-4

7.6 Belt tracking

1. Loosen hex nut (N₁, Figure 7-3) counterclockwise.
2. Open top cover and move abrasive belt by hand to observe tracking.
3. Rotate knob (N₂) as needed to adjust.
4. Tighten nut (N₁) against machine to secure setting.
5. Connect to power and run the machine to verify the setting. Make further adjustments if needed.

7.7 Adjustable handles

The handles (such as C, Figure 7-1) can be adjusted to more convenient position; lift up handle and rotate it on the pin, then release, making sure it reseats on pin.

8.0 Operation

8.1 Operating controls

Refer to Figure 8-1.

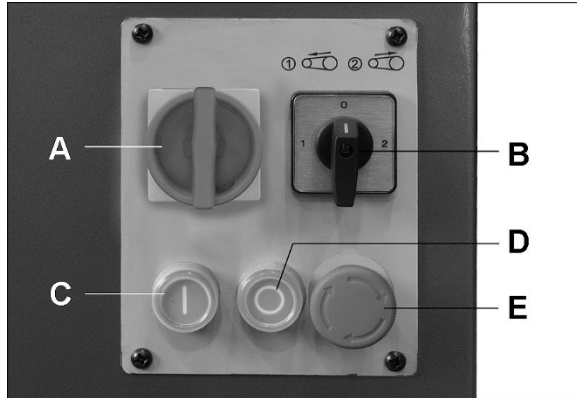


Figure 8-1

A – Main on/off switch: Turns on main power to machine.

B – Direction switch: Controls belt direction, center position is neutral (belt does not move). To prevent build-up of chips and debris on the belt, use appropriate belt direction for each operation:

- Notching – Direction 1
- Grinding side – Direction 2
- Grinding top – Direction 2

C – On button: Starts belt movement.

D – Off button: Stops belt movement.

E – Emergency stop button: Press for fast shutdown of machine functions. To restart machine, rotate button clockwise until it disengages.

9.0 User-maintenance

⚠WARNING Always disconnect power to machine before performing maintenance. Failure to do this may result in serious personal injury.

9.1 General maintenance

1. After each use, vacuum abrasive debris from machine area. Wipe down machine with a clean rag and apply light coat of oil to exposed metal surfaces to inhibit rust.

2. Keep notching table and guide shaft areas clean and free of debris. Use a brush to clear shavings, not bare hands.

9.2 Lubrication

Note: Roller bearings are sealed and do not require further lubrication.

See Figures 9-1 and 9-2.

1. Apply oil or grease to tension leadscrew and contact points at hex nut.
2. Apply oil or grease to jaw leadscrew.
3. Apply grease to swivel base area.
4. Clean and apply oil to long and short guide shafts.

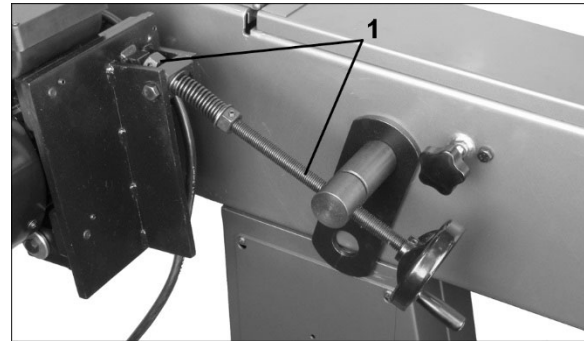


Figure 9-1

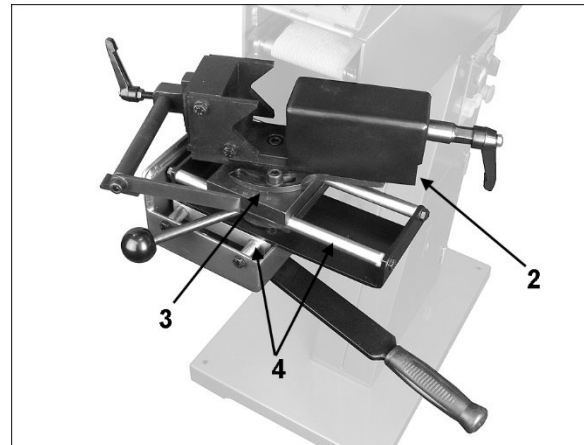


Figure 9-2

9.3 Additional servicing

Any additional servicing should be performed by authorized service personnel.

10.0 Troubleshooting DSAN4-series Abrasive Notchers

Table 3

Symptom	Possible Cause	Correction*
Motor will not start.	Low voltage.	Check power line for proper voltage.
	Open circuit in motor or loose connection.	Inspect all lead connections on motor for loose or open connections.
	On/Off switch failure.	Inspect switch, replace if needed.
	Centrifugal switch failure (won't close to activate start capacitor).	Replace centrifugal switch.
	Run capacitor failure.	Replace run capacitor.
	Motor fault.	Have motor tested by qualified personnel.
Motor will not start: fuses blow or circuit breakers trip.	Short circuit in line cord or plug.	Inspect cord or plug for damaged insulation and shorted wires.
	Short circuit in motor or loose connections.	Inspect all connections on motor for loose or shorted terminals or worn insulation.
	Incorrect fuses or circuit breakers in power line.	Install correct fuses or circuit breakers.
Motor overheats.	Motor overloaded.	Reduce pressure of material against abrasive belt.
	Air circulation through motor is restricted.	Clean motor fan with compressed air to restore normal air circulation.
	Prolonged operation.	Allow machine to cool.
	Motor fault.	Have motor tested by qualified personnel.
Motor stalls, or doesn't build to normal operating speed.	Motor overloaded.	Reduce pressure of material against abrasive belt.
	Short circuit in motor or loose connections.	Inspect connections on motor for loose or shorted terminals or worn insulation.
	Low voltage.	Correct the low voltage conditions.
	Incorrect fuses or circuit breakers in power line.	Install correct fuses or circuit breakers.
	Motor fault.	Have motor tested by qualified personnel.
Frequent start capacitor failure.	Centrifugal switch failure (won't open to disengage capacitor, thus causing constant energizing and premature wear of capacitor).	Replace centrifugal switch.
Poor notching or grinding performance.	Abrasive belt slipping on roller/wheel.	Tighten belt.
Excessive vibration or noise.	Machine not level on floor.	Level machine; use shims if needed.
	Loose motor fan.	Inspect and tighten.
	Motor imbalance.	Have motor tested by qualified personnel.

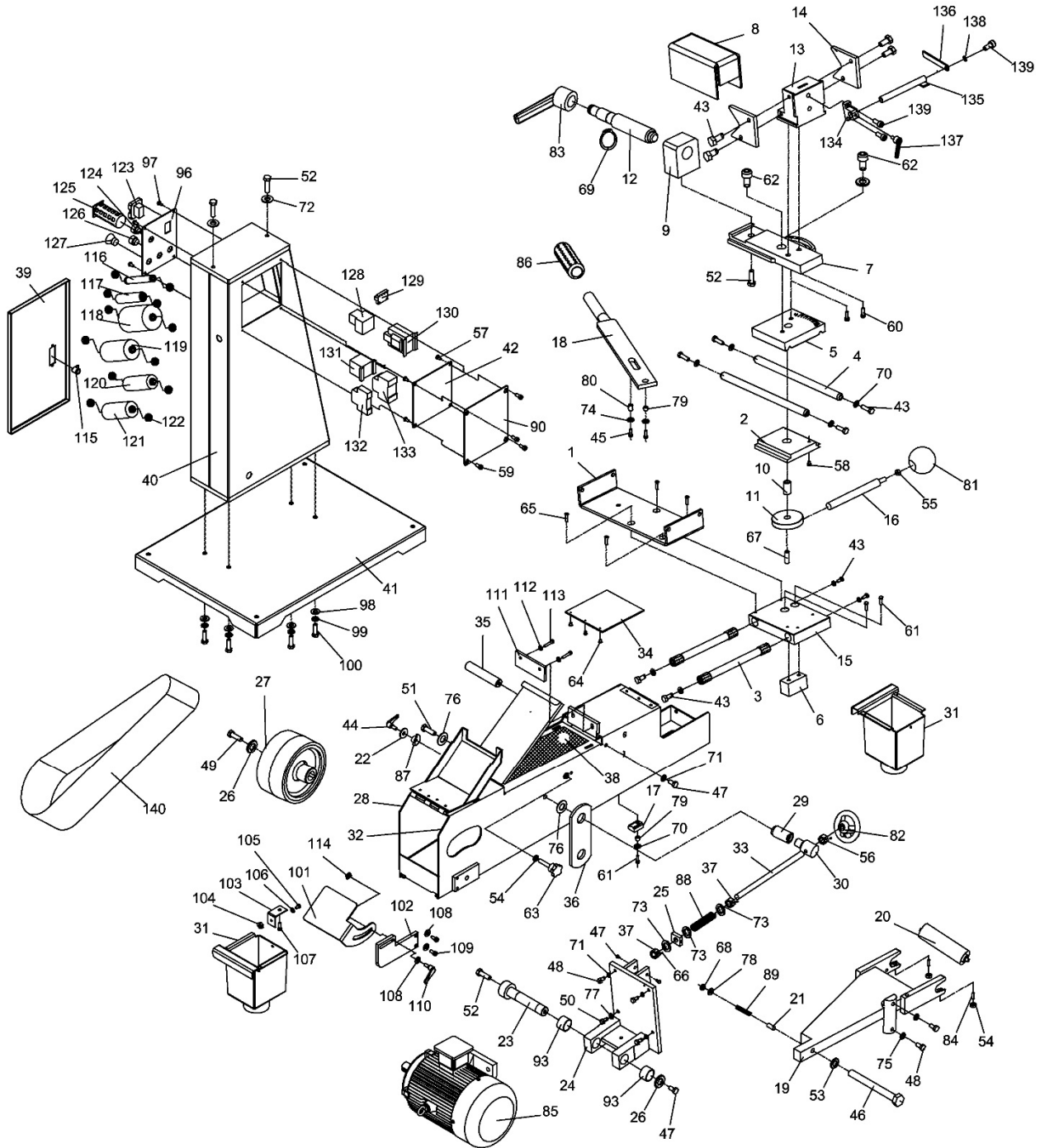
***Warning:** Some corrections may require a qualified electrician.

11.0 Replacement Parts

To order parts or reach our service department, call 1-800-274-6848 Monday through Friday, 8:00 a.m. to 5:00 p.m. CST. Having the Model Number and Serial Number of your machine available when you call will allow us to serve you quickly and accurately.

Non-proprietary parts, such as fasteners, can be found at local hardware stores, or may be ordered from JET. Some parts are shown for reference only, and may not be available individually.

11.1.1 DSAN4-1,-3 Dual Station Notchers – Exploded View



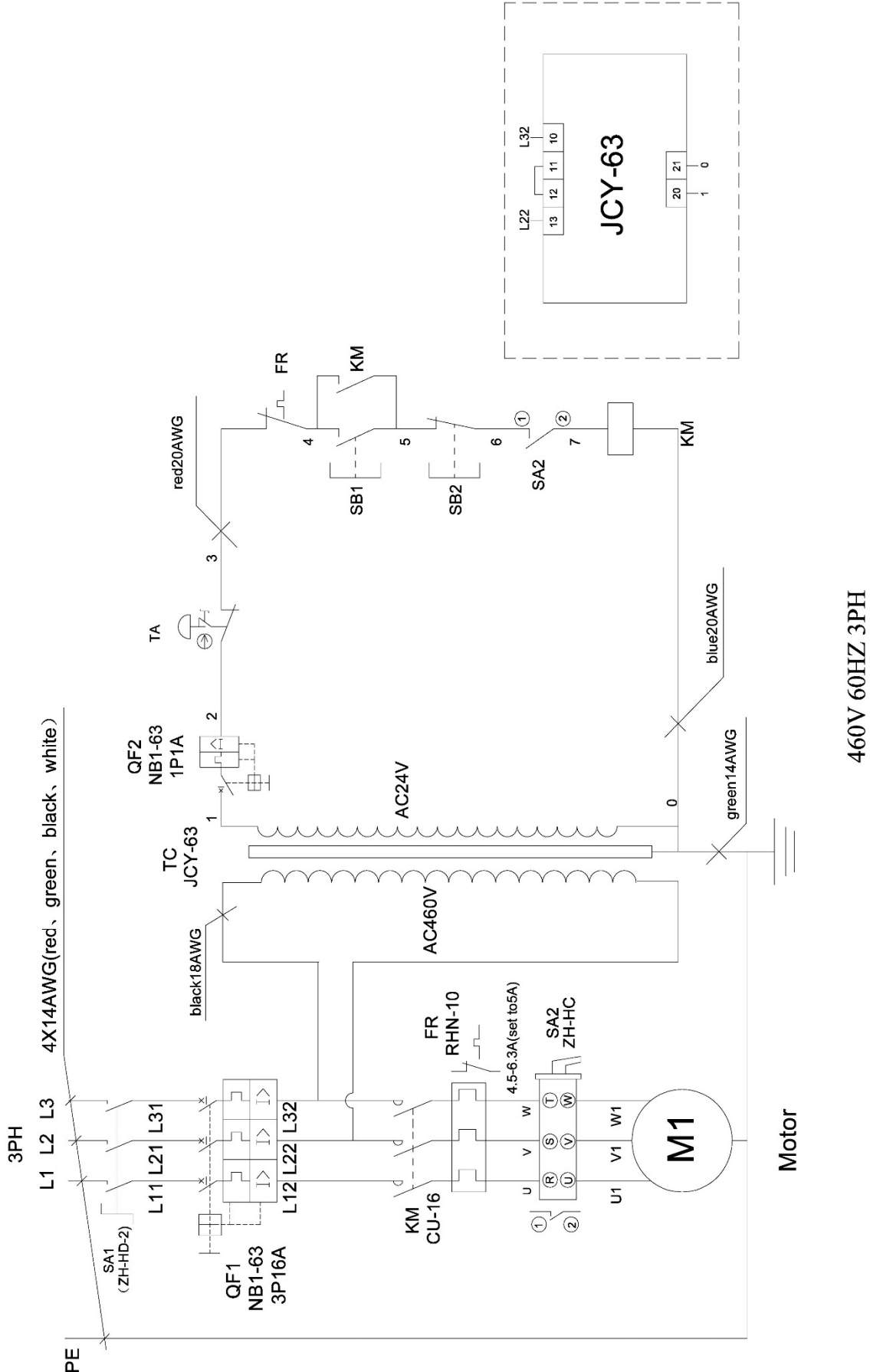
11.1.2 DSAN4-1,-3 Dual Station Abrasive Notchers – Parts List

Index No.	Part No.	Description	Size	Qty
1	DSAN4-1-1	Guide Seat		1
2	DSAN4-1-2	Sliding Plate		1
3	DSAN4-1-3	Short Guide Shaft	6-5/8"L	2
4	DSAN4-1-4	Long Guide Shaft	10"L	2
5	DSAN4-1-5	Upper Sliding Block		1
6	DSAN4-1-6	Small Sliding Block		1
7	DSAN4-1-7	Swivel Base		1
8	DSAN4-1-8	Jaw Box		1
9	DSAN4-1-9	Nut Block		1
10	DSAN4-1-10	Lock Screw		1
11	DSAN4-1-11	Locking Disc		1
12	DSAN4-1-12	Lead Screw		1
13	DSAN4-1-13	Fixed Jaw		1
14	DSAN4-1-14	Clamping Plate		2
15	DSAN4-1-15	Bottom Sliding Block		1
16	DSAN4-1-16	Locking Screw		1
17	DSAN4-1-17	Block		1
18	DSAN4-1-18	Feeding Handle with Grip (includes #86)		1
19	DSAN4-1-19	Roller Bracket		1
20	DSAN4-1-20	NPS 1" Roller	Ø1-1/4"x4-1/2" L	1
21	DSAN4-1-21	Support Sleeve		1
22	TS-1550071	Flat Washer	M10	1
23	DSAN4-1-23	Fixed Shaft		1
24	DSAN4-1-24	Motor Bracket		1
25	DSAN4-1-25	Tension Block		1
26	DSAN4-1-26	Washer		2
27	DSAN4-1-27	Driving Wheel		1
28	DSAN4-1-28	Side Cover		1
29	DSAN4-1-29	Bottom Fixed Pin		1
30	DSAN4-1-30	Upper Fixed Pin		1
31	DSAN4-1-31	Chip Box		2
32	DSAN4-1-32	Upper Frame		1
33	DSAN4-1-33	Long Lead Screw		1
34	DSAN4-1-34	Guard		1
35	DSAN4-1-35	Belt Guiding Shaft		1
36	DSAN4-1-36	Lifting Plate		1
37	DSAN4-1-37	Hex Nut with Set Screw (includes #66)	M16-2.0	3
38	DSAN4-1-38	Graphite Platen		1
39	DSAN4-1-39	Storage Door		1
40	DSAN4-1-40	Column		1
41	DSAN4-1-41	Base		1
42	DSAN4-1-42	Plate		1
43	TS-1490031	Hex Cap Screw	M8-1.25x20	12
44	DSAN4-1-44	Adjustable Handle	M10-1.5x25	1
45	TS-1504041	Socket HD Cap Screw	M8-1.25x20	2
46	JEB-137	Hex Cap Screw	M8-1.25x100	1
47	F009489	Hex Cap Screw BO	M10-1.5x20	4
48	TS-1491031	Hex Cap Screw	M10-1.5x25	5
49	TS-1491031	Hex Cap Screw	M10-1.5x25	1
50	TS-2210451	Hex Cap Screw	M10-1.5x45	1
51	TS-1492041	Hex Cap Screw	M12-1.75x40	1
52	TS-1492021	Hex Cap Screw	M12-1.75x30	4
53	TS-1550061	Flat Washer	M8	1
54	TS-1540071	Hex Nut	M10-1.5	4
55	TS-1540081	Hex Nut	M12-1.75	1
56	TS-154010	Hex Nut	M16-2.0	1
57	DSAN4-1-57	Bolt	M4-0.7x10	4
58	TS-1503021	Socket HD Cap Screw	M6-1.0x10	1
59	TS-1503041	Socket HD Cap Screw	M6-1.0x16	4

Index No.	Part No.	Description	Size	Qty
60	TS-1504041	Socket HD Cap Screw	M8-1.25x20	2
61	TS-1504051	Socket HD Cap Screw	M8-1.25x25	2
62	TS-1505021	Socket HD Cap Screw	M10-1.5x20	3
63	DSAN4-1-63	Tracking Knob	M10-1.5x50	1
64	TS-1532032	Mach Screw, Pan HD, Phillips	M4-0.7x10	3
65	TS-1514021	Socket HD Flat Screw	M6-1.0x16	4
66	TS-1523021	Socket Set Screw	M6-1.0x8	3
67	TS-1523041	Socket Set Screw	M6-1.0x12	1
68	TS-1540061	Hex Nut	M8-1.25	2
69	F006048	C-Retaining Ring, Ext	22mm	1
70	TS-1550061	Flat Washer	M8	8
71	TS-1550071	Flat Washer	M10	5
72	TS-2360121	Flat Washer	M12	2
73	TS-155010	Flat Washer	M16	3
74	TS-1550061	Flat Washer	M8	3
75	TS-1550071	Flat Washer	M10	3
76	DSAN4-1-76	Big Washer	12	2
77	DSAN4-1-77	Locking Washer	M10	1
78	DSAN4-1-78	Flat Washer	M8	1
79	DSAN4-1-79	Short Sleeve		2
80	DSAN4-1-80	Long Sleeve		1
81	DSAN4-1-81	Handle Knob	M12	1
82	DSAN4-1-82	Handwheel Assembly	12x100mm	1
83	DSAN4-1-83	Adjustable Handle	M12	1
84	DSAN4-1-84	Spring Plunger	M10x17	2
85	DSAN4-1-85	Motor	4HP, 230V, 1PH	1
	DSAN4-1-85SC	Starting Capacitor (Not Shown)	CD60 300µF 300VAC	1
	DSAN4-1-85RC	Running Capacitor (Not Shown)	CBB60 60µF 450VAC	1
	DSAN4-1-85CF	Cooling Fan (Not Shown)	for 1PH motor	1
	DSAN4-1-85CS	Centrifugal Switch (Not Shown)		1
	DSAN4-1-85FC	Fan Cover (Not Shown)	for 3PH motor	1
	DSAN4-3-85	Motor	4HP, 230/460V, 3PH	1
	DSAN4-3-85CF	Cooling Fan (Not Shown)	for 3PH motor	1
	DSAN4-3-85FC	Fan Cover (Not Shown)	for 3PH motor	1
86	DSAN4-1-86	Handle Grip	22mm	1
87	DSAN4-1-87	Locking Block		1
88	DSAN4-1-88	Spring	D3x104mm	1
89	DSAN4-1-89	Spring	D3x38mm	1
90	DSAN4-1-90	Back Cover Plate		1
93	DSAN4-1-93	Bushing		2
96	DSAN4-1-96	Control Panel		1
97	TS-1534052	Mach Screw, Pan HD, Phillips	M6-1.0x16	4
98	TS-1550071	Flat Washer	M10	5
99	TS-2361101	Lock Washer	M10	4
100	TS-1491031	Hex Cap Screw	M10-1.5x25	4
101	DSAN4-1-101	Work Table		1
102	DSAN4-1-102	Connection Plate		1
103	DSAN4-1-103	Fixed Plate		1
104	TS-1540041	Hex Nut	M6-1.0	1
105	TS-1482031	Socket HD Cap Screw	M6-1.0x16	4
106	TS-1550041	Flat Washer	M6	1
107	TS-1504031	Socket HD Cap Screw	M8-1.25x16	1
108	TS-1550061	Flat Washer	M8	3
109	TS-1504051	Socket HD Cap Screw	M8x25	2
110	DSAN4-1-44	Adjustable Handle	M10-1.5x25	1
111	DSAN4-1-111	Baffle		1
112	TS-1550071	Flat Washer	M10	2
113	TS-1505021	Socket HD Cap Screw	M10-1.5x20	2
114	DSAN4-1-114	Nut		1
115	MPR10HV-59	Door Latch	MS720-2	1
116	DSAN4-1-116	NPS 1/2" Roller	Ø3/4"x4-1/2" L	1
117	DSAN4-1-117	NPS 3/4" Roller	Ø1"x4-1/2" L	1

Index No.	Part No.	Description	Size	Qty
118	DSAN4-1-118	NPS 2-1/2" Roller	Ø3"x4-1/2" L	1
119	DSAN4-1-119	NPS 2" Roller	Ø2-3/8"x 4-1/2" L	1
120	DSAN4-1-120	NPS 1-1/4" Roller	Ø1-11/16"x 4-1/2" L	1
121	DSAN4-1-121	NPS 1-1/2" Roller	Ø1-7/8"x 4-1/2" L	1
122	BB-608ZZ	Ball Bearing	8x22x7mm w/2 shields	12
123	DSAN4-1-123	On/Off Switch	ZH-HD-2, 25A	1
124	DSAN4-1-124	Start Button	XB2-EA41	1
125	DSAN4-1-125	Select Switch	ZH-HC, UL(UL508) 1PH	1
	DSAN4-3-125	Select Switch	ZH-HC, UL(UL508) 3PH	1
126	DSAN4-1-126	Stop Button	XB2-EA42	1
127	DSAN4-1-127	Emergency Stop Button	XB2-ES542	1
128	DSAN4-1-128-1	Thermal Relay	RHN-10,15-20A/Set 15.2A	1
	DSAN4-3-128-230	Thermal Relay	RHN-10,9-12A/Set 10.5A	1
	DSAN4-3-128-460	Thermal Relay	RHN-10,4.5-6.3A/Set 5.5A	1
129	DSAN4-1-129	Grounding Terminal		1
130	DSAN4-1-130	Transformer	JCY-63 460 230/24V 50/60HZ 63VA	1
131	DSAN4-1-131	AC Contactor	CU-16 AC24V	1
132	DSAN4-1-132	1P Breaker	NB1-63 1P 1A (270VAC)	1
133	DSAN4-1-133-230	2P Breaker	NB1-63 2P 25A (270VAC)	1
	DSAN4-3-133	3P Breaker	NB1-63 3P 16A (480VAC)	1
134	DSAN4-1-134	Seat		1
135	DSAN4-1-135	Sliding Rod		1
136	DSAN4-1-136	Stop Plate		1
137	DSAN4-1-137	Adjustable Handle	M8x16	1
138	TS-1550061	Flat Washer	M8	5
139	TS-1504031	Socket HD Cap Screw	M8-1.25x16	6
140	755180	Abrasive Belt, set of 3	36/60/80 Grit	1
	JET-165	JET Logo (not shown)	165x68 mm	1
	LM000289	ID Label, DSAN4 (not shown)		1
	LM000296	Warning Label, DSAN4 (not shown)		1
	590800	Open-end wrench (not shown)	22/24mm	1
	TS-152705	Hex wrench (not shown)	4mm	1
	TS-152707	Hex wrench (not shown)	6mm	1
	TS-227D081	Hex wrench (not shown)	8mm	1

12.3 Wiring Diagram for DSAN4-3 (460V 3PH)



13.0 Warranty and service

JET warrants every product it sells against manufacturers' defects. If one of our tools needs service or repair, please contact Technical Service by calling 1-800-274-6846, 8AM to 5PM CST, Monday through Friday.

Warranty Period

The general warranty lasts for the time period specified in the literature included with your product or on the official JET branded website.

- JET products carry a limited warranty which varies in duration based upon the product. (See chart below)
- Accessories carry a limited warranty of one year from the date of receipt.
- Consumable items are defined as expendable parts or accessories expected to become inoperable within a reasonable amount of use and are covered by a 90 day limited warranty against manufacturer's defects.

Who is Covered

This warranty covers only the initial purchaser of the product from the date of delivery.

What is Covered

This warranty covers any defects in workmanship or materials subject to the limitations stated below. This warranty does not cover failures due directly or indirectly to misuse, abuse, negligence or accidents, normal wear-and-tear, improper repair, alterations or lack of maintenance. JET woodworking machinery is designed to be used with Wood. Use of these machines in the processing of metal, plastics, or other materials outside recommended guidelines may void the warranty. The exceptions are acrylics and other natural items that are made specifically for wood turning.

Warranty Limitations

Woodworking products with a Five Year Warranty that are used for commercial or industrial purposes default to a Two Year Warranty. Please contact Technical Service at 1-800-274-6846 for further clarification.

How to Get Technical Support

Please contact Technical Service by calling 1-800-274-6846. **Please note that you will be asked to provide proof of initial purchase when calling.** If a product requires further inspection, the Technical Service representative will explain and assist with any additional action needed. JET has Authorized Service Centers located throughout the United States. For the name of an Authorized Service Center in your area call 1-800-274-6846 or use the Service Center Locator on the JET website.

More Information

JET is constantly adding new products. For complete, up-to-date product information, check with your local distributor or visit the JET website.

How State Law Applies

This warranty gives you specific legal rights, subject to applicable state law.

Limitations on This Warranty

JET LIMITS ALL IMPLIED WARRANTIES TO THE PERIOD OF THE LIMITED WARRANTY FOR EACH PRODUCT. EXCEPT AS STATED HEREIN, ANY IMPLIED WARRANTIES OF MERCHANTABILITY AND FITNESS FOR A PARTICULAR PURPOSE ARE EXCLUDED. SOME STATES DO NOT ALLOW LIMITATIONS ON HOW LONG AN IMPLIED WARRANTY LASTS, SO THE ABOVE LIMITATION MAY NOT APPLY TO YOU.

JET SHALL IN NO EVENT BE LIABLE FOR DEATH, INJURIES TO PERSONS OR PROPERTY, OR FOR INCIDENTAL, CONTINGENT, SPECIAL, OR CONSEQUENTIAL DAMAGES ARISING FROM THE USE OF OUR PRODUCTS. SOME STATES DO NOT ALLOW THE EXCLUSION OR LIMITATION OF INCIDENTAL OR CONSEQUENTIAL DAMAGES, SO THE ABOVE LIMITATION OR EXCLUSION MAY NOT APPLY TO YOU.

JET sells through distributors only. The specifications listed in JET printed materials and on official JET website are given as general information and are not binding. JET reserves the right to effect at any time, without prior notice, those alterations to parts, fittings, and accessory equipment which they may deem necessary for any reason whatsoever. JET® branded products are not sold in Canada by JPW Industries, Inc.

Product Listing with Warranty Period

90 Days – Parts; Consumable items
1 Year – Motors; Machine Accessories
2 Year – Metalworking Machinery; Electric Hoists, Electric Hoist Accessories; Woodworking Machinery used for industrial or commercial purposes
5 Year – Woodworking Machinery
Limited Lifetime – JET Parallel clamps; VOLT Series Electric Hoists; Manual Hoists; Manual Hoist Accessories; Shop Tools; Warehouse & Dock products; Hand Tools; Air Tools

NOTE: JET is a division of JPW Industries, Inc. References in this document to JET also apply to JPW Industries, Inc., or any of its successors in interest to the JET brand.



427 New Sanford Road
LaVergne, Tennessee 37086
Phone: 800-274-6848
www.jettools.com