



#141014 (Model PUC-4126) Heavy-Duty Utility Cart

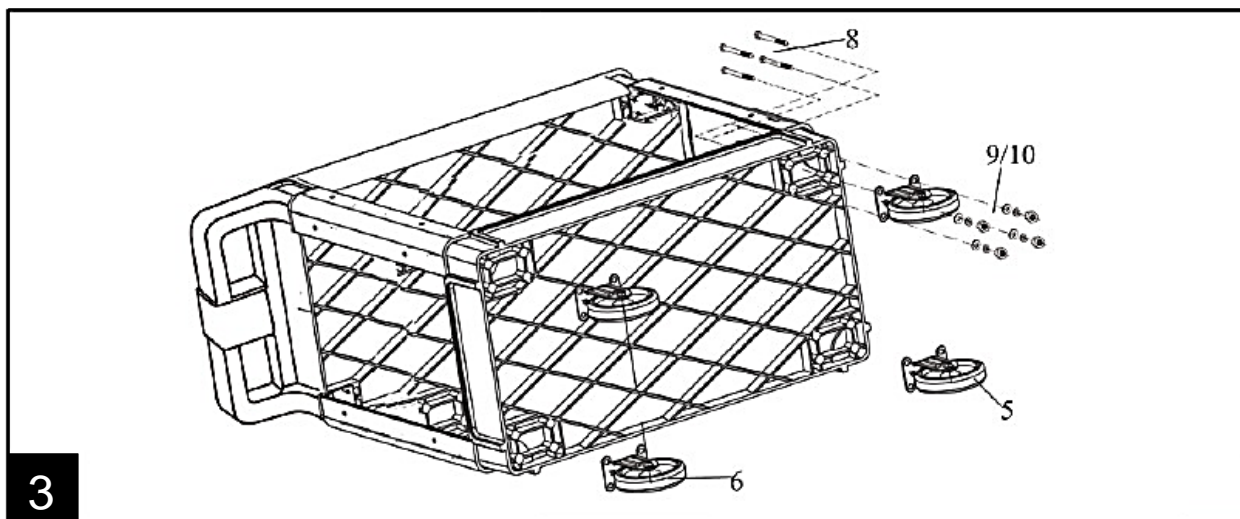
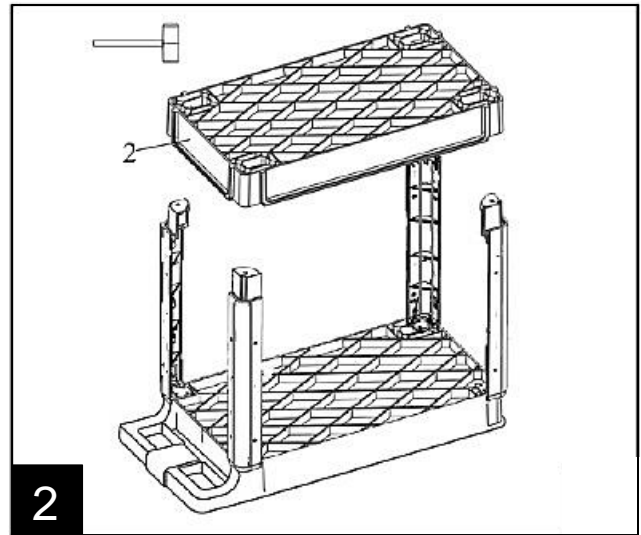
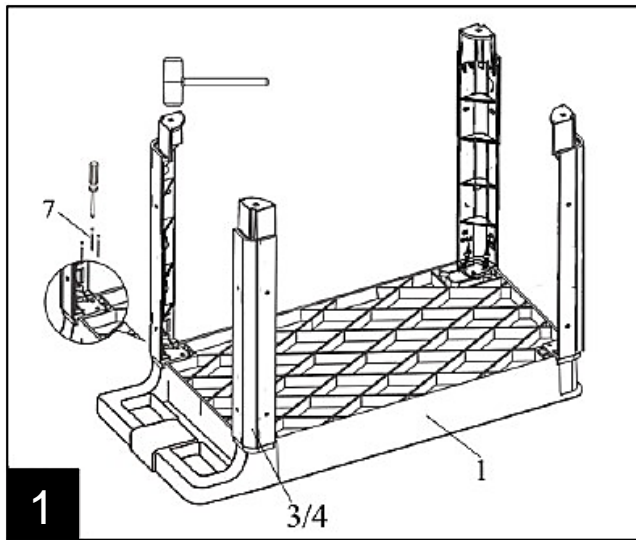
IMPORTANT SAFETY INSTRUCTIONS

- Review all instructions before assembling the cart.
- Improper assembly can cause personal injury and/or property damage.
- Do not overload cart. See specifications for load capacity (distributed evenly).
- Do not step into or on the cart, or use it as a toy.

Tools required: cross-point screwdriver, and rubber or wood mallet.

Use the mallet to tap down the parts to ensure they are seated properly before fastening them with screws.

Assembly



JET
427 New Sanford Road
LaVergne, Tennessee 37086
Ph.: 800-274-6848
www.jettools.com

Part No. M-141014

Edition 1 03/2021

Copyright © 2021 JET, a Division of JPW Industries, Inc.

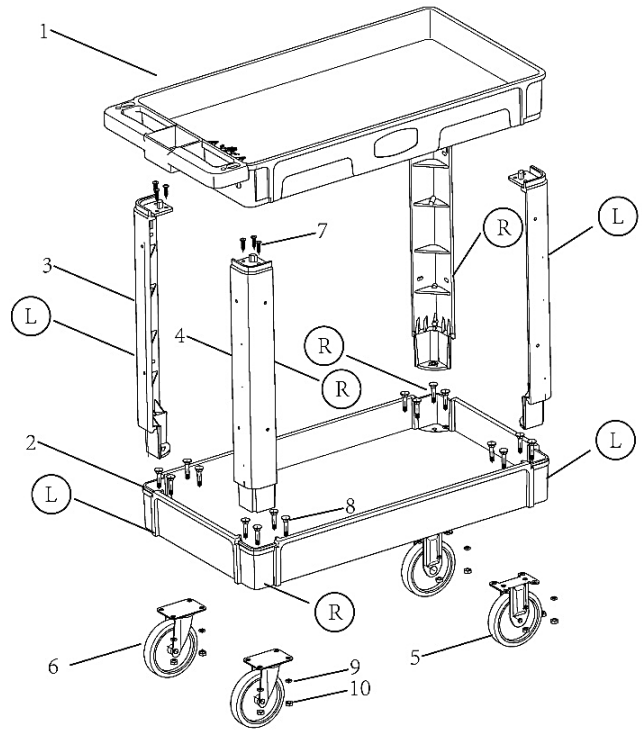
Parts Breakdown

Index no.	Part no.	Description	Qty.
1	PUC4126-01	Upper Platform 104x65	1
2	PUC4126-02	Bottom Platform 95x65	1
3	PUC4126-07	Left Leg	2
4	PUC4126-06	Right Leg	2
5	PUC4325-FCA	Fixed Caster Assembly 5in	2
6	PUC4325-SCA	Swivel Caster Assembly 5in	2
7	PUC4126-03	Cross Head Screw M6x25	12
8	PUC3117-17	Carriage Bolt M8x45mm	16
9	TS-2361081	Spring Washer 8mm	16
10	TS-1540061	Hex Nut M8	16

To order parts visit www.store.jettools.com, or call 1-800-274-6848 Monday through Friday, 8:00 a.m. to 5:00 p.m. CST. Having the Model Number and Serial Number of your unit available when you call will allow us to serve you quickly and accurately.

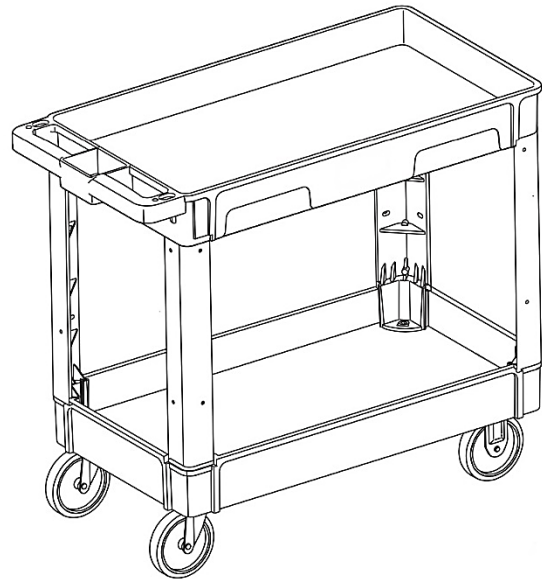
Non-proprietary parts, such as fasteners, can be found at local hardware stores, or may be ordered from JET.

Some parts are shown for reference only, and may not be available individually.



Specifications

Stock number	141014
Model number	PUC-4126
Load capacity	550 lb (250 kg)
Upper platform size (L x W)	41 x 26 in. (104 x 66 mm)
Upper platform height from floor	33-1/2 in. (85 cm)
Lower platform height from floor	5-7/8 in. (15 cm)
Height between platforms	19-5/8 in. (50 cm)
Caster size (OD x W)	5 x 1 in. (12.5 x 2.6 cm)
Overall dimensions (L x W x H)	41 x 26 x 33-1/2 in. (103.5 x 65 x 85 cm)
Net weight (approx.)	40.1 lb (18.2 kg)
Shipping weight (approx.)	44.5 lb (20.2 kg)
Cart material	Polypropylene



⚠ WARNING: This product can expose you to chemicals including lead which is known to the State of California to cause cancer and birth defects or other reproductive harm. For more information go to <http://www.p65warnings.ca.gov>.