



# Operating Instructions and Parts Manual Industrial Air Filtration System

Models IAFS-1700, IAFS-2400, IAFS-3000



**JET**  
427 New Sanford Road  
LaVergne, Tennessee 37086  
Ph.: 800-274-6848  
www.jettools.com

**Part No. M-415100**  
Edition 2 01/2021  
Copyright © 2020 JET




## 1.0 IMPORTANT SAFETY INSTRUCTIONS

When using an electrical appliance, basic precautions should always be followed, including the following:

READ ALL INSTRUCTIONS BEFORE USING THIS AIR FILTRATION UNIT.


### **WARNING – To reduce the risk of fire, electric shock, or injury:**

1. Read and understand the entire owner's manual before attempting assembly or operation.
2. Read and understand the warnings posted on the unit and in this manual. Failure to comply with all of these warnings may cause serious injury.
3. Replace warning labels if they become obscured or removed.
4. Make certain the unit is properly grounded.
5. Disconnect the air filtration unit from the power source (unplug) before servicing or changing filters.
6. Keep guards and covers in place at all times when the filtration unit is in use. If removed for maintenance purposes, use extreme caution and replace the guards immediately after service is complete.
7. Check damaged parts. Before further use of a machine, a guard or other part that is damaged should be carefully checked to determine that it will operate properly and perform its intended function. Check for alignment of moving parts, binding of moving parts, breakage of parts, mounting and any other conditions that may affect its operation. A guard or other part that is damaged should be properly repaired or replaced.
8. Make your workshop child proof with padlocks, master switches or by removing safety keys.
9. Use recommended accessories; improper accessories may be hazardous.
10. Do not place this unit on an unstable surface, or where there is a risk of tipping over. Serious injury could occur if the unit tips over.
11. Do not use this air filtration unit with a damaged cord or plug. If the unit is not working as it should, has been dropped, damaged, left outdoors, or dropped into water, return it to a service center.
12. If ceiling mounted, bottom of filtration unit must be at least 7 feet from the floor.
13. If ceiling mounted, mounts must be anchored to building structure which will support the weight of the air filtration unit. Never mount to surfaces such as dry wall or false ceiling grids.
14. To reduce risk of electric shock, do not expose filtration unit to water or rain.
15. Never duct a machine directly into the air filtration unit.
16. To avoid a potentially dangerous situation, do not use this equipment to filter volatile fumes or smoke.
17. Do not use this unit in high humidity environments. Doing so may cause electric shock and/or decreased performance of the unit.
18. Do not use this equipment to filter flammable vapors. This air filtration unit is designed and intended for the filtration of air borne dust only. It is neither designed nor intended for any other purpose whatsoever. If used for other purposes, JET disclaims any real or implied warranty and holds itself harmless from any injury that may result from that use.
19. When servicing or replacement of a component in an appliance requires disconnection of a safety device, that device must be reconnected as previously installed.


 **WARNING:** Some dust, fumes and gases created by power sanding, sawing, grinding, drilling, welding and other construction activities contain chemicals known to the State of California to cause cancer and birth defects or other reproductive harm. Some examples of these chemicals are:


- lead from lead based paint
- crystalline silica from bricks, cement and other masonry products
- arsenic and chromium from chemically treated lumber

Your risk of exposure varies, depending on how often you do this type of work. To reduce your exposure to these chemicals, work in a well-ventilated area and work with approved safety equipment, such as dust masks that are specifically designed to filter out microscopic particles. For more information go to <http://www.p65warnings.ca.gov/> and <http://www.p65warnings.ca.gov/wood>.

 **WARNING:** This product can expose you to chemicals including lead which is known to the State of California to cause cancer and birth defects or other reproductive harm. For more information go to <http://www.p65warnings.ca.gov>.

**Familiarize yourself with the following safety notices used in this manual:**

 **CAUTION** This means that if precautions are not heeded, it may result in minor injury and/or possible machine damage.

 **WARNING** This means that if precautions are not heeded, it may result in serious, or possibly even fatal, injury.


## **READ AND SAVE THESE INSTRUCTIONS**

### **2.0 About this manual**

This manual is provided by JET, covering the safe operation and maintenance procedures for the JET IAFS series Air Filtration System. This manual contains instructions on installation, safety precautions, general operating procedures, maintenance instructions and parts breakdown. Your machine has been designed and constructed to provide consistent, long-term operation if used in accordance with the instructions as set forth in this document.

If there are questions or comments, please contact your local supplier or JET. JET can also be reached at our web site: [www.jettools.com](http://www.jettools.com).

Retain this manual for future reference. If the machine transfers ownership, the manual should accompany it.

 **WARNING** Read and understand the entire contents of this manual before attempting assembly or operation. Failure to comply may cause serious injury.

**Register your product online -**

<http://www.jettools.com/us/en/service-and-support/warranty/registration/>

## 3.0 Table of contents

Section	Page
1.0 IMPORTANT SAFETY INSTRUCTIONS .....	2
2.0 About this manual .....	3
3.0 Table of contents .....	4
4.0 Specifications for IAFS-series Air Filtration System .....	5
4.1 Mounting hole spacing .....	7
5.0 Electrical connections .....	8
5.1 GROUNDING INSTRUCTIONS .....	8
5.2 Extension cords .....	8
6.0 Unpacking .....	9
6.1 Carton contents .....	9
7.0 Installation .....	9
8.0 Controls and features .....	9
9.0 Operation .....	9
10.0 User-maintenance .....	11
10.1 Transmitter replacement .....	11
10.2 Additional servicing .....	11
11.0 Optional accessories .....	11
12.0 Replacement parts .....	11
12.1.1 IAFS-1700 Industrial Air Filtration System – Exploded View .....	12
12.1.2 IAFS-1700 Industrial Air Filtration System – Parts List .....	13
12.2.1 IAFS-2400 Industrial Air Filtration System – Exploded View .....	14
12.2.2 IAFS-2400 Industrial Air Filtration System – Parts List .....	15
12.3.1 IAFS-3000 Industrial Air Filtration System – Exploded View .....	16
12.3.2 IAFS-3000 Industrial Air Filtration System – Parts List .....	17
13.0 Electrical Connections .....	18
13.1 Wiring diagram for IAFS-1700 .....	18
13.2 Wiring diagram for IAFS-2400 and IAFS-3000 .....	19
14.0 Warranty and service .....	20

## 4.0 Specifications for IAFS-series Air Filtration System

Table 1

Stock number	415100	415125	415150	
Model number	IAFS-1700	IAFS-2400	IAFS-3000	
<b>Motor and electrical</b>				
Motor type	ODP (open drip proof) industrial motor			
Horsepower	1/3 HP	3/4 HP	1 HP	
Phase	single			
Voltage	115V only		230V only	
Cycle	60 Hz			
Listed FLA (full load amps)	5.5 / 4.0 / 3.0 A	5.5 / 4.0 / 3.5 A	6.0 / 4.0 / 3.5 A	
Thermal overload protection	105°C (221°F)			
Motor 3-speed range, no load (High/Med/Low)	1100 / 940 / 640 RPM	940 / 700 / 520 RPM	1100 / 970 / 720 RPM	
Power cord	14AWGx3C, 6 ft. SJT			
Power plug, installed	5-15P, 125V/15A		6-15P, 250V/15A	
On/off switch	toggle switch with lamp			
Recommended minimum circuit size <sup>1</sup>	15 A			
Remote control	Radio frequency 3-speed control, LCD display, timer settings 1~9 hrs.; (1) 9V battery; includes holder			
<b>Performance</b>				
No filters	Air flow (CFM)	1372 / 1129 / 798	1946 / 1640 / 1269	2780 / 2364 / 1711
	Total pressure (Pa)	3.53 / 2.46 / 1.18	7.16 / 5.10 / 3.04	7.65 / 5.60 / 2.94
	Total pressure efficiency ( $\eta$ , t%)	0.32 / 0.24 / 0.12	0.85 / 0.65 / 0.41	0.64 / 0.52 / 0.28
Filters installed	Air flow (CFM)	1107 / 1008 / 805	1415 / 1325 / 1182	2099 / 1953 / 1666
	Total pressure (Pa)	2.35 / 1.96 / 1.18	3.73 / 3.34 / 2.65	4.32 / 3.83 / 2.75
	Total pressure efficiency ( $\eta$ , t%)	0.19 / 0.20 / 0.13	0.41 / 0.43 / 0.37	0.34 / 0.36 / 0.28
Blower speeds	3 (Low/Med/High)			
Timer settings	1 to 9 hrs			
Sound rating @ 3 ft. (filters installed) <sup>2</sup>	75 / 62 / 60 dB	71 / 69 / 66 dB	75 / 73 / 69 dB	
<b>Outer Filter</b>				
Outer Filter size LxWxT	23-15/32 x 19-3/8 x 1-3/4 in. (596 x 492 x 44 mm)		27-5/32 x 22-19/32 x 1-3/4 in. (690x 574x44mm)	
Expanded area	3.12 ft <sup>2</sup> (0.29 m <sup>2</sup> )		4.20 ft <sup>2</sup> (0.39 m <sup>2</sup> )	
Material	Resin fiber (washable)			
Efficiency	MERV 8			
<b>Inner Filter</b>				
Inner Filter size LxWxT	23-15/32 x 19-3/8 x 1-3/4 in. (596 x 492 x 44 mm)		27-5/32 x 22-19/32 x 1-3/4 in. (690 x 574 x 44 mm)	
Expanded area	37.68 ft <sup>2</sup> (3.5 m <sup>2</sup> )		48.76 ft <sup>2</sup> (4.53 m <sup>2</sup> )	
Material	REEMAY®WHT (Polyester)			
Efficiency	MERV 12			
<b>Cabinet</b>				
Sheet metal thickness	16 ga.			

	<b>415100</b>	<b>415125</b>	<b>415150</b>
	IAFS-1700	IAFS-2400	IAFS-3000
Cabinet			
Sheet metal thickness	16 ga.		
<b>Dimensions &amp; weight</b>			
Overall dimensions, LxWxH	36-11/16 x 24 x 20-9/32 in. (932 x 610 x 515 /mm)		41-13/16 x 27-3/4 x 23-3/8 in. (1062 x 705 x 594 mm)
Shipping dimensions, LxWxH	43-23/32 x 27-5/32 x 29-15/16 in. (1110 x 690 x 760 mm)		45-9/32 x 30-21/32 x 32-11/16 (1150x780x830mm)
Net weight, approx.	136 lb. (62 kg)	150 lb. (68 kg)	197 lb. (89.5 kg)
Shipping weight, approx.	176 lb. (80 kg)	187 lb. (85 kg)	244 lb. (111 kg)

<sup>1</sup> Subject to local/national electrical codes. Recommendation based upon dedicated circuit.

<sup>2</sup> The specified values are emission levels and are not necessarily to be seen as safe operating levels. As workplace conditions vary, this information is intended to allow the user to make a better estimation of the hazards and risks involved only.

*L = length, W = width, H = height, T = thickness*

*n/a = not applicable*

The specifications in this manual were current at time of publication, but because of our policy of continuous improvement, JET reserves the right to change specifications at any time and without prior notice, without incurring obligations.

## 4.1 Mounting hole spacing

All measurements in millimeters

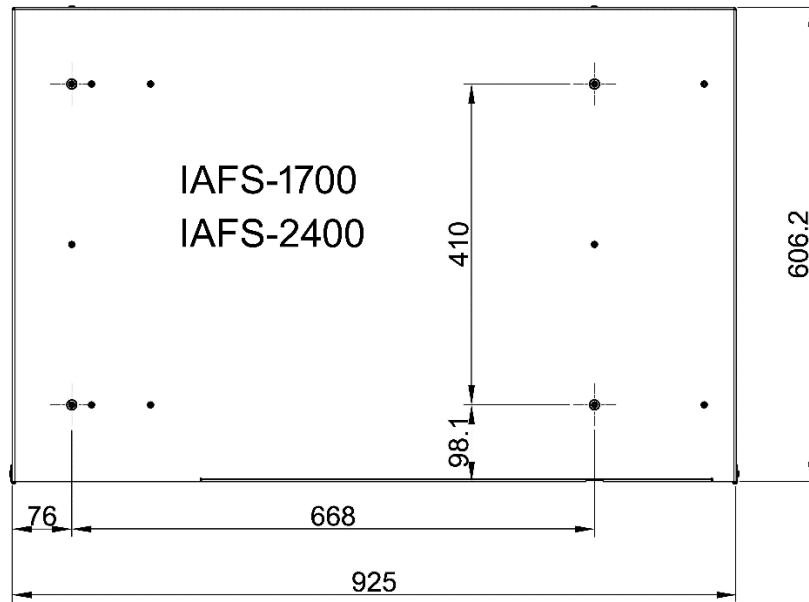


Figure 4-1

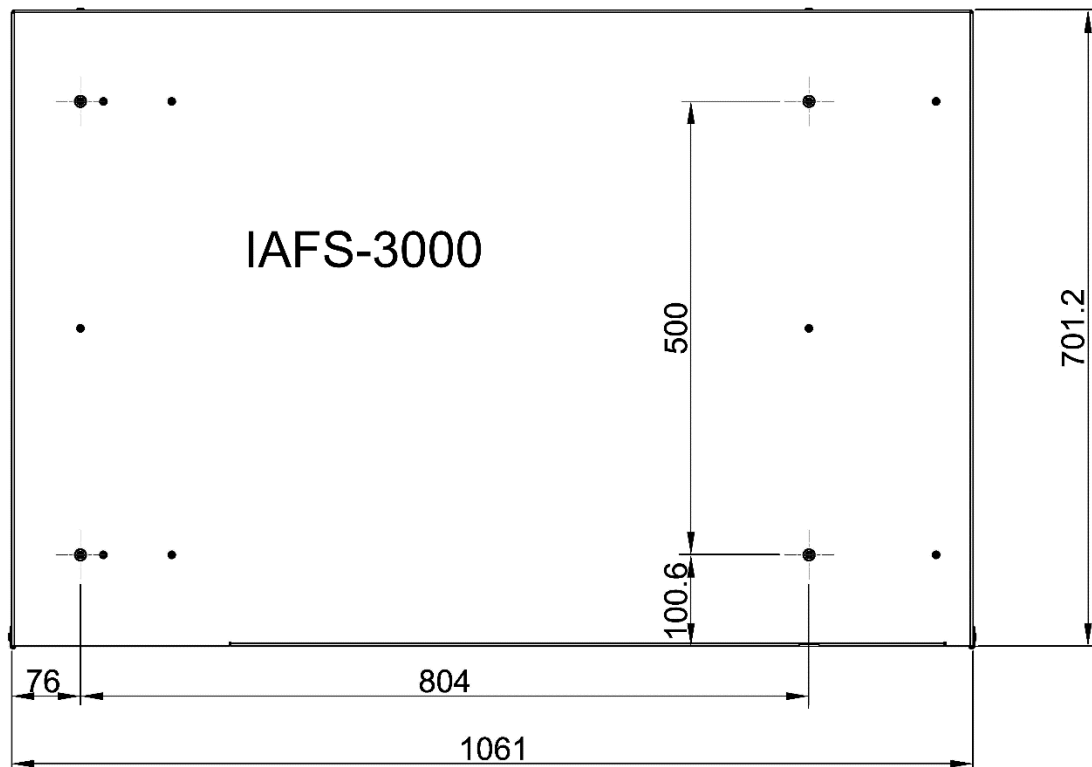


Figure 4-2

## 5.0 Electrical connections

**⚠WARNING** All electrical connections must be done by a qualified electrician in compliance with all relevant codes and ordinances. Failure to comply may result in serious injury.

The IAFS-1700 and IAFS-2400 units are rated at 115-volt only, and are provided with a 5-15P plug designed for use on a circuit with a *grounded outlet* that looks like the one pictured in **A**, Figure 5-1.

The IAFS-3000 is rated at 230 volt only, and is provided with a 6-15P plug designed for use on a circuit with a *grounded outlet* that looks like the one pictured in **D**, Figure 5-1.

Before connecting to power source, be sure switch is in *off* position.

It is recommended that the IAFS unit be connected to a dedicated minimum 15 amp circuit with circuit breaker or time-delay fuse marked “D”. **Local codes take precedence over recommendations.**

### 5.1 GROUNDING INSTRUCTIONS

#### 1. All Grounded, Cord-connected Tools:

In the event of a malfunction or breakdown, grounding provides a path of least resistance for electric current to reduce the risk of electric shock. This tool is equipped with an electric cord having an equipment-grounding conductor and a grounding plug. The plug must be plugged into a matching outlet that is properly installed and grounded in accordance with all local codes and ordinances.

Do not modify the plug provided - if it will not fit the outlet, have the proper outlet installed by a qualified electrician.

Improper connection of the equipment-grounding conductor can result in a risk of electric shock. The conductor with insulation having an outer surface that is green with or without yellow stripes is the equipment-grounding conductor. If repair or replacement of the electric cord or plug is necessary, do not connect the equipment-grounding conductor to a live terminal.

**⚠WARNING** Check with a qualified electrician or service personnel if the grounding instructions are not completely understood, or if in doubt as to whether the tool is properly grounded. Failure to comply may cause serious or fatal injury.

Use only 3-wire extension cords that have 3-prong grounding plugs and 3-pole receptacles that accept the tool's plug.

Repair or replace damaged or worn cord immediately.

#### 2. Grounded, cord-connected tools intended for use on a supply circuit having a nominal rating *less than 150 volts*:

This tool is intended for use on a circuit that has an outlet that looks like the one illustrated in **A**, Figure 5-1. An adapter, shown in **B** and **C**, may be used to connect this plug to a 2-pole receptacle as shown in **B** if a properly grounded outlet is not available. The temporary adapter should be used only until a properly grounded outlet can be installed by a qualified electrician. *This adapter is not permitted in Canada.* The green-colored rigid ear, lug, and the like, extending from the adapter must be connected to a permanent ground such as a properly grounded outlet box.

#### 3. Grounded, cord-connected tools intended for use on a supply circuit having a nominal rating *between 150 - 250 volts, inclusive*:

This tool is intended for use on a circuit that has an outlet that looks like the one illustrated in **D**, Figure 5-1. The tool has a grounding plug that looks like the plug illustrated in **D**. Make sure the tool is connected to an outlet having the same configuration as the plug. No adapter is available or should be used with this tool. If the tool must be reconnected for use on a different type of electric circuit, the reconnection should be made by qualified service personnel; and after reconnection, the tool should comply with all local codes and ordinances.

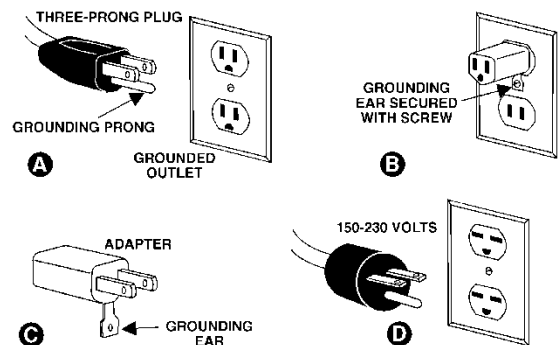


Figure 5-1

### 5.2 Extension cords

The use of extension cords is discouraged; try to position equipment within reach of the power receptacle. If an extension cord becomes necessary, be sure it is heavy enough to carry the current your product will draw. An undersized cord will cause a drop in line voltage resulting in loss of power and overheating.

Table 1 shows recommended size to use depending on cord length and nameplate ampere rating. If in doubt, use the next heavier gauge. The smaller the gauge number, the heavier the cord.



Amp Rating		Volts	Total length of cord in feet			
More Than	Not More Than	120	25	50	100	150
		240	50	100	200	300
			AWG			
0	6		18	16	16	14
6	10		18	16	14	12
10	12		16	16	14	12
12	16		14	12	Not Recommended	

*Extension Cord Recommendations  
Table 1*

**⚠WARNING** Read and understand the entire contents of this manual before attempting assembly or operation. Failure to comply may cause serious injury.

## 6.0 Unpacking

### 6.1 Carton contents

- 1 AFS unit
- 1 Remote controller with 9V battery.
- 1 Hardware package, containing:
  - 4 Eye bolts
  - 4 Foam foot pads
- 1 Operating Instructions and Parts Manual
- 1 Product registration card

Inspect contents for shipping damage or missing parts. Report these, if discovered, to your distributor.

#### IMPORTANT:

1. **The hardware package and remote controller are shipped behind the Air Diffuser.** To remove, grasp part of the lattice on the front of the air diffuser and pull the air diffuser toward the side opening. Then push the clip back out of the way, and grasp the edge of the air diffuser to slide it out enough to retrieve the controller and package. Slide the air diffuser back in and swing the clip back into position.
2. **The styrofoam blocking must be removed from inside the cabinet.** Unscrew the two knobs and pan head screw; remove side panel. See Figures on page 10. Slide outer and inner filter out of their channels. Remove styrofoam, then return filters to position and secure side panel.

## 7.0 Installation

The unit will work best if located away from corners and heating/cooling vents.

If you will be suspending the unit from an overhead structure, remove the 4 pan head screws on top of the cabinet, and screw in the 4 eye bolts in their place. Orient the eye bolts as needed.

**⚠WARNING** Make sure ceiling structure will support the weight of the unit. Do not mount to dry wall or false ceiling grids. Failure to comply may cause serious injury and property damage.

If setting unit on a table or bench, remove the adhesive from the 4 foot pads and press the pads to the bottom of the unit near the corners.

Remove back cover of remote controller and install 9-volt battery. Reinstall cover. The holder for the remote controller can be mounted to a bench or wall using screws (not provided).

## 8.0 Controls and features

See Figures 9-1 thru 9-3, page 10.

The Air Filtration Unit can be turned on and off with the switch on the control panel. The remote controller is preferred, however, as it offers multiple functions and allows operation when the unit is out of arm's reach. The remote controller uses radio frequency, and thus is not limited by line-of-sight operation.

#### Thermal protection

The motor has a built-in cutoff switch in case of thermal overload. If the machine shuts off, allow it to cool down for a few moments, then restart.

#### Speed

The unit will always start on low speed. On the remote controller, press the up or down button to change speed.

#### Timer

Press the timer button on the remote (the timer indicator will start flashing). Then press the *up* or *down* button to scroll to the desired time (from 1 to 9 hours). Press the timer button again – the indicator will stop flashing. The unit will operate for the programmed time, at the end of which it will automatically shut off.

Note: If the timer function is not used, the filtration unit will continue to operate until the off button is pressed.

## 9.0 Operation

*NOTE: The Air Filtration Unit is designed to remove airborne dust particles; it is not designed to take the place of a dust collection system.*

Larger particles are trapped by the outer filter; smaller particles by the inner filter. The air is then exhausted through the diffusion filter, which has a fibrous composition to help diffuse the air.



Figure 9-1

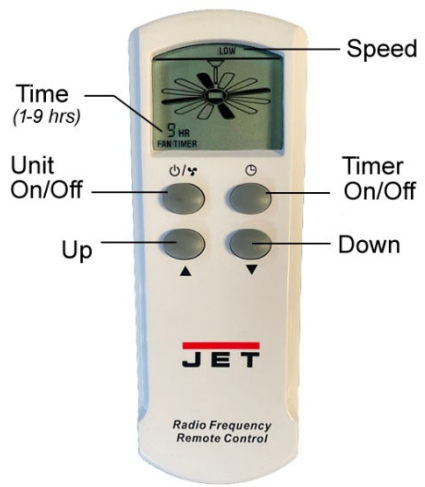


Figure 9-2

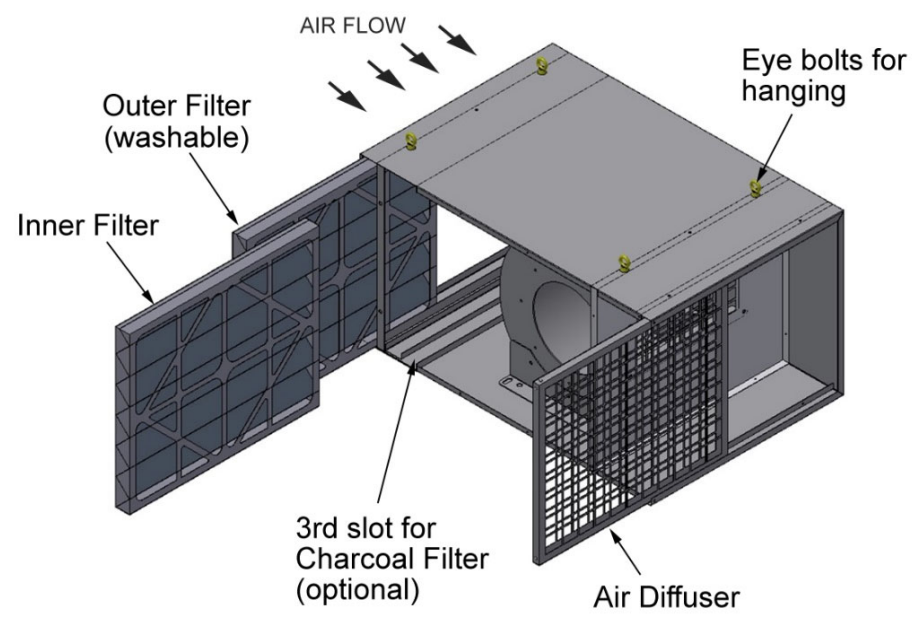


Figure 9-3

## 10.0 User-maintenance

**▲WARNING** Turn off, disconnect (unplug) the Air Filtration Unit from the power source before servicing or changing filters.

**Always re-install the pan head screw to secure the side panel after installing filters.**

Filters should be cleaned depending on the amount of usage and the environment of your shop. Clogged filters will reduce the amount of air circulation.

The outer filter is washable. If it becomes dirty, remove filter from unit and rinse under a faucet or gentle setting of a hose nozzle. Allow to dry before reinstalling on unit.

The other filters are NOT washable, but should be cleaned periodically with light vacuuming or compressed air.

### 10.1 Transmitter replacement

The remote controller/transmitter provided with the Air Filtration Unit is pre-programmed and ready to operate once the battery is installed. However, should the controller ever need replacing, the new controller must be programmed for your unit.

To program the new remote control transmitter:

1. Turn ON the Air Filtration Unit at the switch.
2. On the remote control transmitter, press and hold the On/Off button for 3 seconds, until a "beep" is heard.
3. The remote controller will now operate the Air Filtration Unit.

## 12.0 Replacement parts

Replacement parts are listed on the following pages. To order parts or reach our service department, call 1-800-274-6848 Monday through Friday, 8:00 a.m. to 5:00 p.m. CST. Having the Model Number and Serial Number of your machine available when you call will allow us to serve you quickly and accurately.

Non-proprietary parts, such as fasteners, can be found at local hardware stores, or may be ordered from JET.

Some parts are shown for reference only, and may not be available individually.

## 10.2 Additional servicing

Any additional servicing should be performed by authorized service personnel.

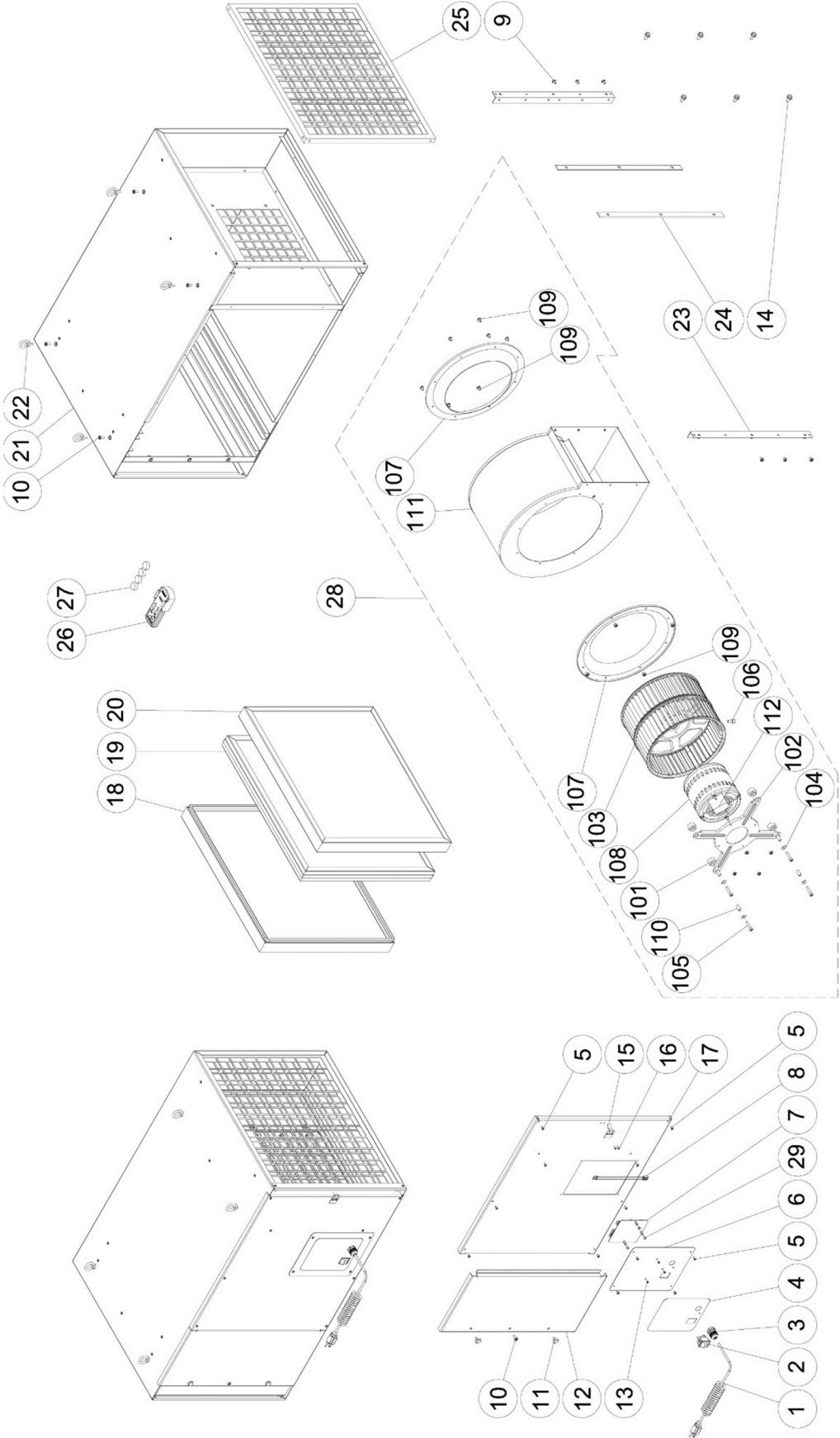
## 11.0 Optional accessories

Charcoal ("carbon") filters are especially effective at trapping odors and non-flammable vapors. Contact your dealer to order, or call JET at the phone number on the cover.

**415105** Charcoal Filter, for IAFS-1700/2400

**415155** Charcoal Filter, for IAFS-3000

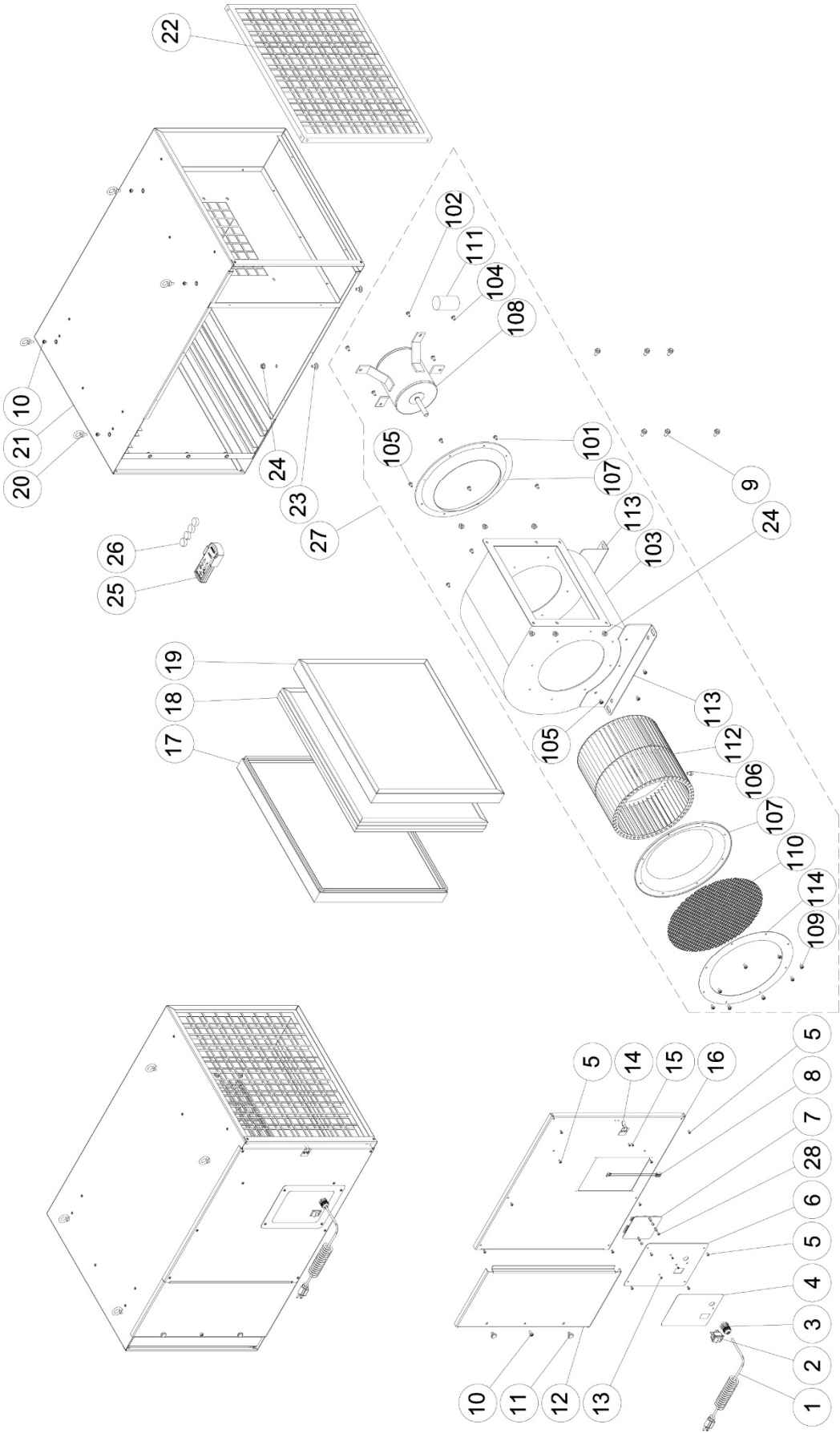
12.1.1 IAFS-1700 Industrial Air Filtration System – Exploded View



## 12.1.2 IAFS-1700 Industrial Air Filtration System – Parts List

Index No	Part No	Description	Size	Qty
1	IAFS1700-001	Cord	14AWGx3C	1
2	IAFS1700-002	Rocker Switch		1
3	IAFS1700-003	Strain Relief	PG11	1
4	IAFS1700-004	Panel Label w/ I.D.		1
5	ST0409200	Pan HD Tapping Screw	M4 x 8	12
6	IAFS1700-006	Switch Plate		1
7	IAFS1700-007	Circuit Board		1
8	IAFS1700-008	Connecting Wire		1
9	SF069200	Pan Head Bolt w/ Flange	M6 x 8	6
10	TS-1534052	Pan Head Screw	M6 x 16	5
11	330030	Bolt		2
12	IAFS1700-012	Side Plate		1
13	SN490200	Counter Sunk Bolt	1/8 x 1/4	3
14	TS-1490041	Hex Cap Screw	M8 x 25	6
15	AB001008	Door Clip Set		1
16	BT000044	Rivet	3.2 x 6/9.5	2
17	IAFS1700-017	Cabinet Side Cover		1
18	415106	Outer Filter		1
19	415107	Inner Filter		1
20	415105	Charcoal Filter (Optional)		1
21	IAFS1700-021	Cabinet Assembly		1
22	IAFS1700-022	Eye Bolt	M6	4
23	IAFS1700-023	Fixing Plate		2
24	IAFS1700-024	Gasket		2
25	330025	Air Diffuser		1
26	IAFS-RC	Remote Control Transmitter (includes holder)		1
		9-volt Battery (local purchase)		1
27	IAFS1700-027	Foam foot pad		4
28	IAFS1700-028	Blower Assembly (includes #101 thru #111)		1
29	IAFS1700-029	Insulating Column	U-4	3
101	330005	Motor Gasket		4
102	330004	Flange		1
103	330001	Fan Blade (Blower Wheel)		1
104	TS-1550041	Flat Washer	M6	4
105	TS-1503071	Socket HD Cap Screw	M6 x 30	4
106	TS-1504031	Socket HD Cap Screw	M8 x 16	1
107	330003	Air Guide Plate		2
108	IAFS1700-108	Motor		1
	CA003000	Capacitor (not shown)	30 $\mu$ F, 250V	1
109	F001214	Pan HD Phillips Mach Screw	M6 x 8	12
110	330006	Sleeve		4
111	330002	Blower Housing		1
112	CA003000	Capacitor	30 $\mu$ F, 250V	1
	JET-203	JET Logo Plaque (not shown)	W 203 x H 84 mm	1
	LM000424	Warning Label (not shown)		1

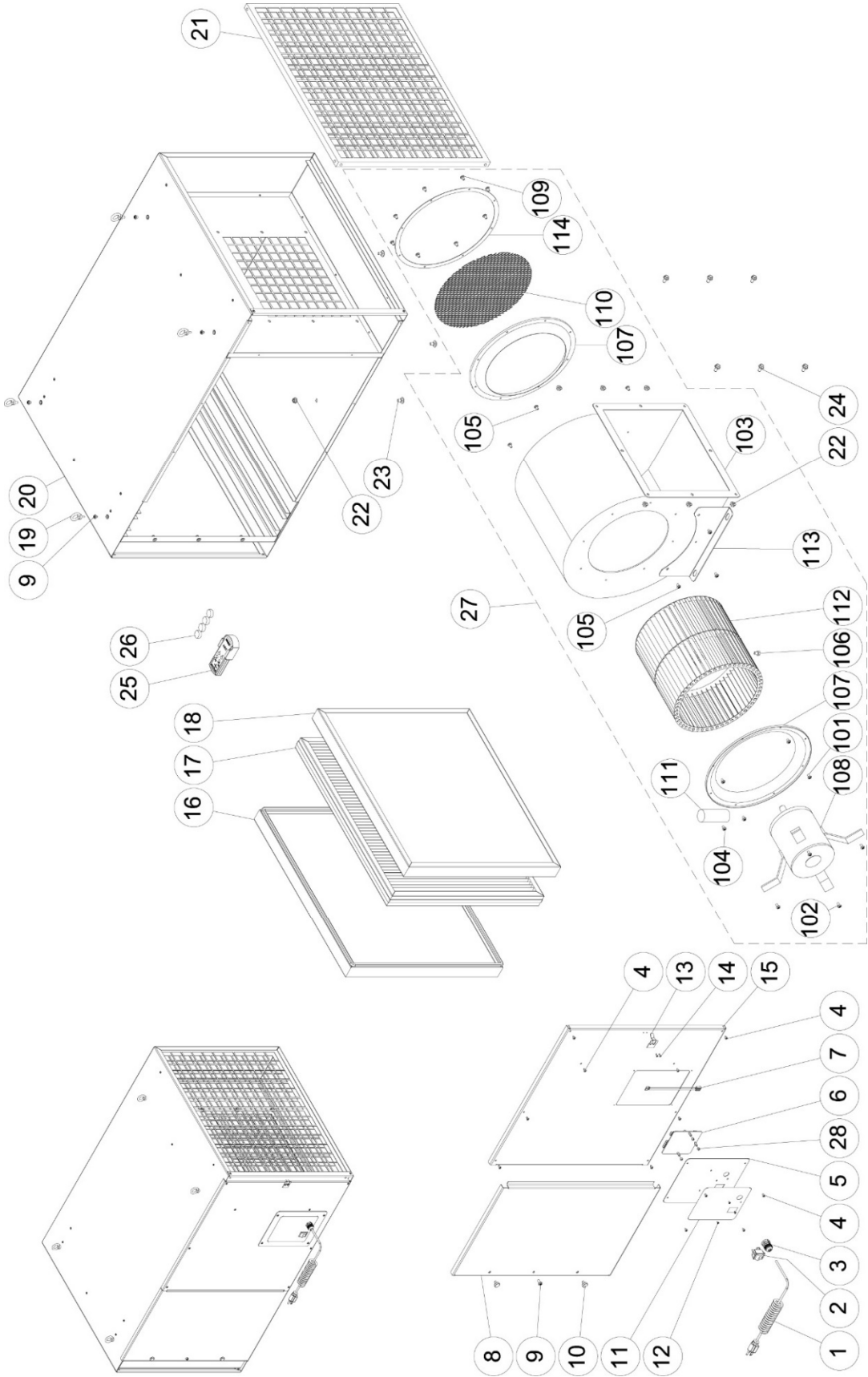
12.2.1 IAFS-2400 Industrial Air Filtration System – Exploded View



## 12.2.2 IAFS-2400 Industrial Air Filtration System – Parts List

Index No	Part No	Description	Size	Qty
1	IAFS1700-001	Cord	14AWGx3C	1
2	IAFS1700-002	Rocker Switch		1
3	IAFS1700-003	Strain Relief	PG11	1
4	IAFS2400-004	Panel Label w/ I.D.		1
5	ST0409200	Pan HD Tapping Screw	M4 x 8	12
6	IAFS1700-006	Switch Plate		1
7	IAFS1700-007	Circuit Board		1
8	IAFS1700-008	Connecting Wire		1
9	TS-1490041	Hex Cap Screw	M8 x 25	6
10	TS-1534052	Pan Head Screw	M6 x 16	5
11	330030	Bolt		2
12	IAFS1700-012	Side Plate		1
13	SN490200	Counter Sunk Bolt	1/8 x 1/4	3
14	AB001008	Door Clip Set		1
15	BT000044	Rivet	3.2 x 6/9.5	2
16	IAFS1700-017	Cabinet Side Cover		1
17	415106	Outer Filter		1
18	415107	Inner Filter		1
19	415105	Charcoal Filter (Optional)		1
20	IAFS1700-022	Eye Bolt	M6	4
21	IAFS2400-021	Cabinet Assembly		1
22	330025	Air Diffuser		1
23	JWBS14DP-6-8	Carriage Bolt	M8 x 16	4
24	TS-1540061	Hex Nut	M8	10
25	IAFS-RC	Remote Control Transmitter (includes holder)		1
26	IAFS1700-027	Foam foot pad		4
27	IAFS2400-028	Blower Assembly (includes #101 thru #114)		1
28	IAFS1700-029	Insulating Column	U-4	3
101	TS-1534032	Pan HD Phillips Mach Screw	M6 x 10	4
102	TS-1534042	Pan HD Phillips Mach Screw	M6 x 12	4
103	IAFS2400-103	Blower Housing		1
104	TS-1534032	Pan HD Phillips Mach Screw	M6 x 10	1
105	TS-1534032	Pan HD Phillips Mach Screw	M6 x 10	6
106	TS-0051011	Hex Cap Screw	5/16 x 1/2	1
107	IAFS2400-107	Air Guide Plate		2
108	IAFS2400-108	Motor (includes #111)		1
109	TS-1534032	Pan HD Phillips Mach Screw	M6 x 10	8
110	IAFS2400-110	Protection Net		1
111	IAFS2400-111	Capacitor	80uF, 250V	1
112	IAFS2400-112	Blower Wheel		1
113	IAFS2400-113	Bracket		2
114	IAFS2400-114	Fixed Plate		1
	JET-203	JET Logo Plaque (not shown)	W 203 x H 84 mm	1
	LM000424	Warning Label (not shown)		1

12.3.1 IAFS-3000 Industrial Air Filtration System – Exploded View



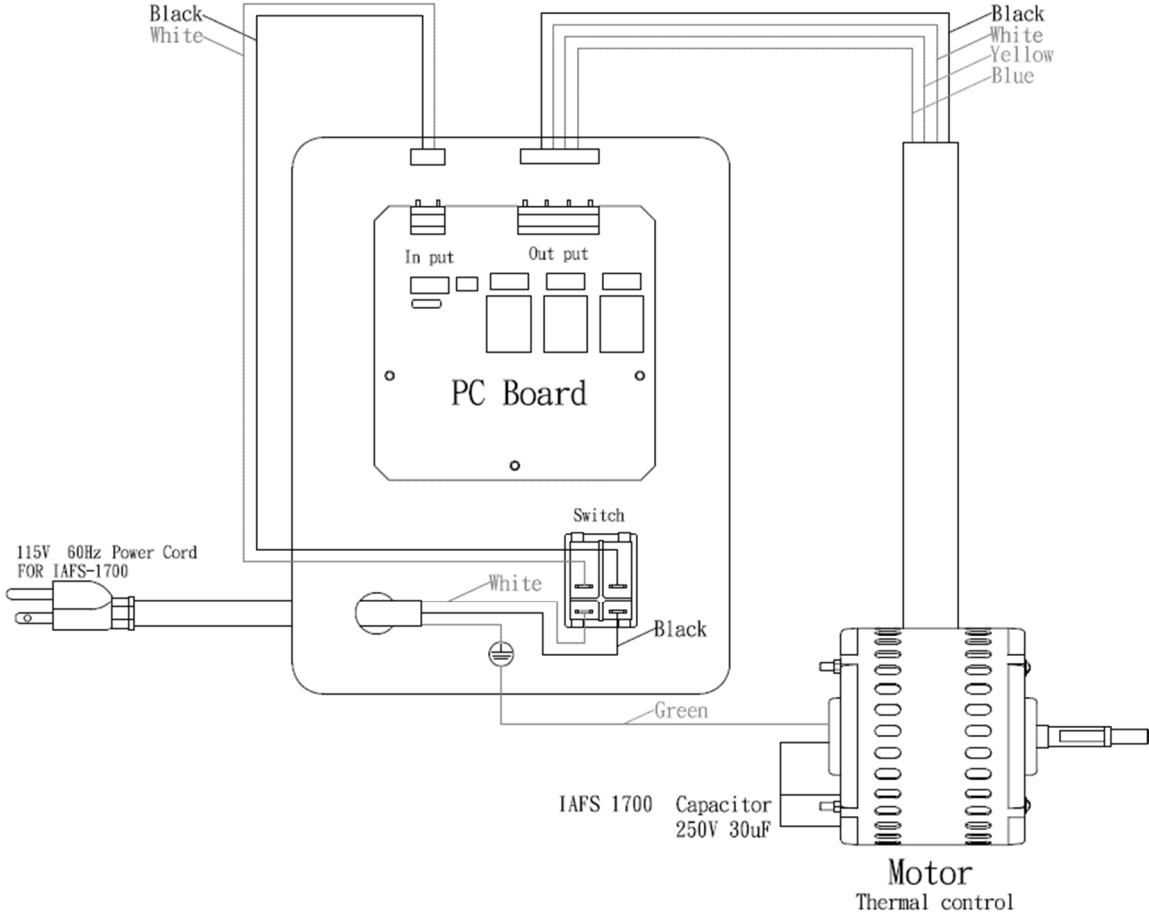


### 12.3.2 IAFS-3000 Industrial Air Filtration System – Parts List

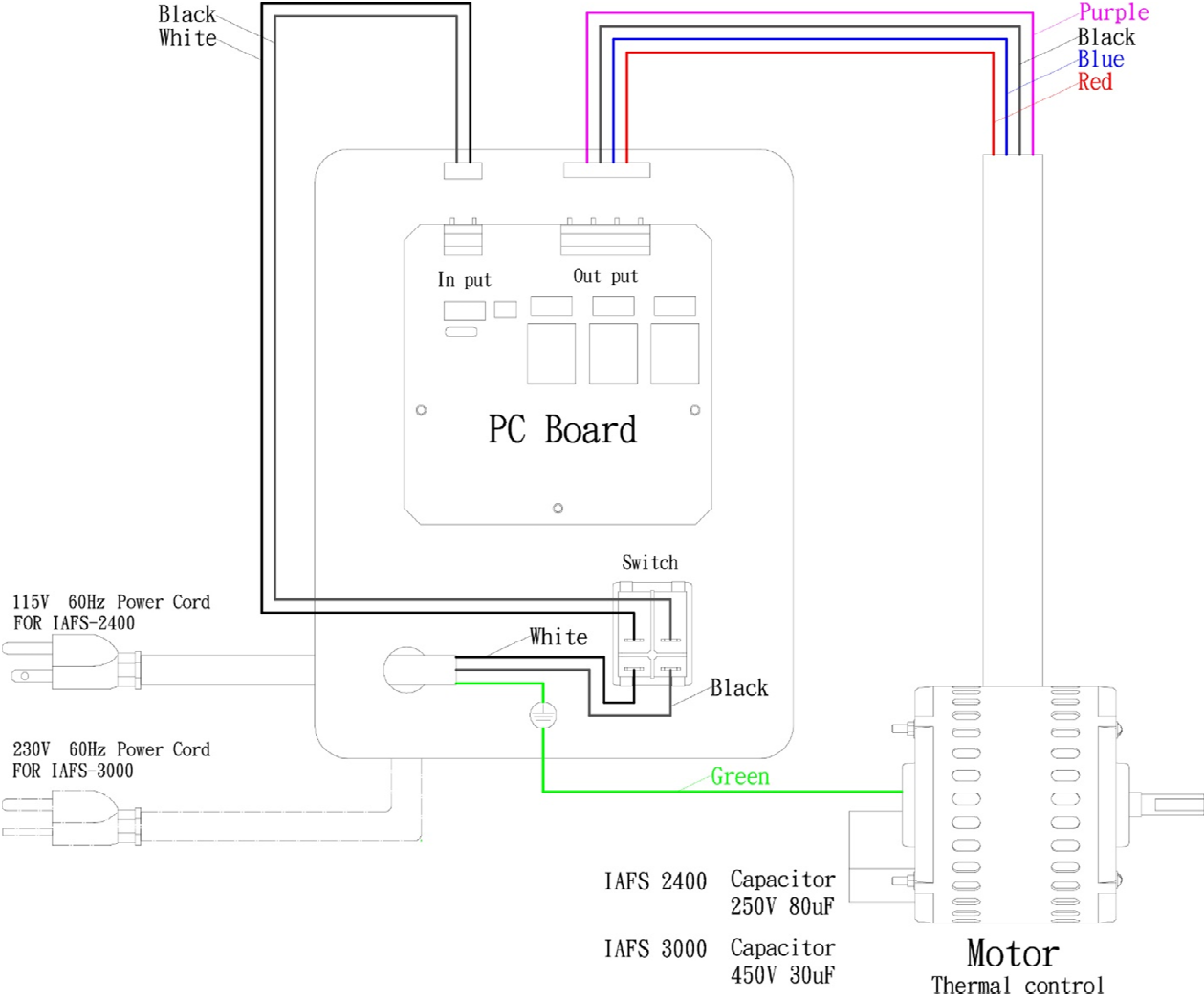
Index No	Part No	Description	Size	Qty
1	IAFS3000-001	Power Cord	14AWGx3C	1
2	IAFS1700-002	Rocker Switch		1
3	IAFS1700-003	Strain Relief	PG11	1
4	ST0409200	Pan HD Tapping Screw	M4 x 8	12
5	IAFS1700-006	Switch Plate		1
6	IAFS1700-007	Circuit Board		1
7	IAFS1700-008	Connecting Wire		1
8	IAFS3000-008	Side Plate		1
9	TS-1534052	Pan Head Screw	M6 x 16	5
10	330030	Bolt		2
11	IAFS3000-011	Panel Label w/ I.D.		1
12	SN490200	Counter Sunk Bolt	1/8 x 1/4	3
13	AB001008	Door Clip Set		1
14	BT000044	Rivet	3.2 x 6/9.5	2
15	IAFS3000-015	Cabinet Side Cover		1
16	415156	Outer Filter		1
17	415157	Inner Filter		1
18	415155	Charcoal Filter (Optional)		1
19	IAFS1700-022	Eye Bolt	M6	4
20	IAFS3000-020	Cabinet Assembly		1
21	IAFS3000-021	Air Diffuser		1
22	TS-1540061	Hex Nut	M8	10
23	JWBS14DP-6-8	Carriage Bolt	M8 x 16	4
24	TS-1490041	Hex Cap Screw	M8 x 25	6
25	IAFS-RC	Remote Control Transmitter (includes holder)		1
26	IAFS1700-027	Foam foot pad		4
27	IAFS3000-028	Blower Assembly (includes #101 thru #114)		1
28	IAFS1700-029	Insulating Column	U-4	3
101	TS-1534032	Pan HD Phillips Mach Screw	M6 x 10	4
102	TS-1534042	Pan HD Phillips Mach Screw	M6 x 12	4
103	IAFS3000-103	Blower Housing		1
104	TS-1534032	Pan HD Phillips Mach Screw	M6 x 10	1
105	TS-1534032	Pan HD Phillips Mach Screw	M6 x 10	6
106	TS-0051011	Hex Cap Screw	5/16 x 1/2	1
107	IAFS3000-107	Air Guide Plate		2
108	IAFS3000-108	Motor (includes #111)		1
109	TS-1534032	Pan HD Phillips Mach Screw	M6 x 10	8
110	IAFS3000-110	Protection Net		1
111	IAFS3000-111	Capacitor	30uF, 450V	1
112	IAFS3000-112	Blower Wheel		1
113	IAFS3000-113	Bracket		2
114	IAFS3000-114	Fixed Plate		1
	JET-203	JET Logo Plaque (not shown)	W 203 x H 84 mm	1
	LM000424	Warning Label (not shown)		1

# 13.0 Electrical Connections

## 13.1 Wiring diagram for IAFS-1700



### 13.2 Wiring diagram for IAFS-2400 and IAFS-3000



## 14.0 Warranty and service

JET warrants every product it sells against manufacturers' defects. If one of our tools needs service or repair, please contact Technical Service by calling 1-800-274-6846, 8AM to 5PM CST, Monday through Friday.

### Warranty Period

The general warranty lasts for the time period specified in the literature included with your product or on the official JET branded website.

- JET products carry a limited warranty which varies in duration based upon the product. (See chart below)
- Accessories carry a limited warranty of one year from the date of receipt.
- Consumable items are defined as expendable parts or accessories expected to become inoperable within a reasonable amount of use and are covered by a 90 day limited warranty against manufacturer's defects.

### Who is Covered

This warranty covers only the initial purchaser of the product from the date of delivery.

### What is Covered

This warranty covers any defects in workmanship or materials subject to the limitations stated below. This warranty does not cover failures due directly or indirectly to misuse, abuse, negligence or accidents, normal wear-and-tear, improper repair, alterations or lack of maintenance. JET woodworking machinery is designed to be used with Wood. Use of these machines in the processing of metal, plastics, or other materials outside recommended guidelines may void the warranty. The exceptions are acrylics and other natural items that are made specifically for wood turning.

### Warranty Limitations

Woodworking products with a Five Year Warranty that are used for commercial or industrial purposes default to a Two Year Warranty. Please contact Technical Service at 1-800-274-6846 for further clarification.

### How to Get Technical Support

Please contact Technical Service by calling 1-800-274-6846. **Please note that you will be asked to provide proof of initial purchase when calling.** If a product requires further inspection, the Technical Service representative will explain and assist with any additional action needed. JET has Authorized Service Centers located throughout the United States. For the name of an Authorized Service Center in your area call 1-800-274-6846 or use the Service Center Locator on the JET website.

### More Information

JET is constantly adding new products. For complete, up-to-date product information, check with your local distributor or visit the JET website.

### How State Law Applies

This warranty gives you specific legal rights, subject to applicable state law.

### Limitations on This Warranty

JET LIMITS ALL IMPLIED WARRANTIES TO THE PERIOD OF THE LIMITED WARRANTY FOR EACH PRODUCT. EXCEPT AS STATED HEREIN, ANY IMPLIED WARRANTIES OF MERCHANTABILITY AND FITNESS FOR A PARTICULAR PURPOSE ARE EXCLUDED. SOME STATES DO NOT ALLOW LIMITATIONS ON HOW LONG AN IMPLIED WARRANTY LASTS, SO THE ABOVE LIMITATION MAY NOT APPLY TO YOU.

JET SHALL IN NO EVENT BE LIABLE FOR DEATH, INJURIES TO PERSONS OR PROPERTY, OR FOR INCIDENTAL, CONTINGENT, SPECIAL, OR CONSEQUENTIAL DAMAGES ARISING FROM THE USE OF OUR PRODUCTS. SOME STATES DO NOT ALLOW THE EXCLUSION OR LIMITATION OF INCIDENTAL OR CONSEQUENTIAL DAMAGES, SO THE ABOVE LIMITATION OR EXCLUSION MAY NOT APPLY TO YOU.

JET sells through distributors only. The specifications listed in JET printed materials and on official JET website are given as general information and are not binding. JET reserves the right to effect at any time, without prior notice, those alterations to parts, fittings, and accessory equipment which they may deem necessary for any reason whatsoever. JET® branded products are not sold in Canada by JPW Industries, Inc.

### Product Listing with Warranty Period

90 Days – Parts; Consumable items
1 Year – Motors; Machine Accessories
2 Year – Metalworking Machinery; Electric Hoists, Electric Hoist Accessories; Woodworking Machinery used for industrial or commercial purposes
5 Year – Woodworking Machinery
Limited Lifetime – JET Parallel clamps; VOLT Series Electric Hoists; Manual Hoists; Manual Hoist Accessories; Shop Tools; Warehouse & Dock products; Hand Tools; Air Tools

NOTE: JET is a division of JPW Industries, Inc. References in this document to JET also apply to JPW Industries, Inc., or any of its successors in interest to the JET brand.