



#717600 In-Line Cyclonic Chip Separator Assembly and Specifications

Shipping contents:

#717600 – Chip Separator only

- 1 Chip separator
- 1 Assembly & specifications sheet
- 1 Mounting template
- 1 Product registration card
- 2 Wire hose clamps 4 in.
- 6 Washer head screws 1/4x3/4 in.
- 6 Flanged hex nuts 1/4 in.
- 1 Gasket
- 1 Wrench

#717650 – Chip Separator + JET collection bin

- 1 717600 Chip Separator, *all parts listed above*
- 1 Steel collection bin
- 4 Casters
- 1 Handle
- 2 Pan head screws 1/4x1/2 in.

Assembly of JET Collection Bin

Turn bin upside-down and install casters by screwing them into the threaded holes. Tighten the nuts against the bin using the provided wrench.

Turn bin upright and install handle with 2 screws into threaded holes on side of bin.

Assembly of Chip Separator

CAUTION Woodworking machine and dust collector must be turned off while installing chip separator.

If using the JET dust bin, the center opening and screw holes are predrilled.

If using a different container than the JET bin (see Figure 1), use the provided paper template to drill holes in the lid. Drill six 3/8-in. (9mm) holes for the screws, and cut out a center hole 5-in. (126mm) in diameter.

Place the gasket between separator and bin, and insert the screws from beneath lid. Secure with flanged hex nuts. See Figure 2.

Connect 4-inch diameter hoses (not included) from your woodworking machine and from your dust collection system. Secure these with the provided wire clamps. See Figure 2.



Figure 1: Types of compatible containers (JET bin shown at right)

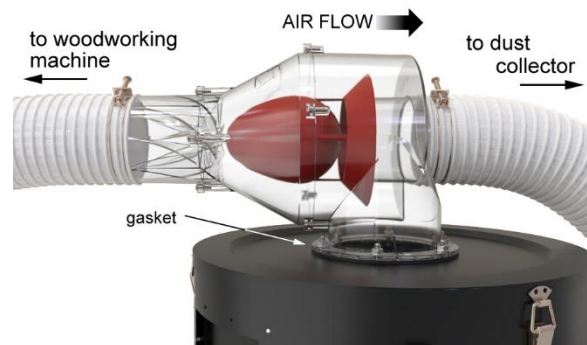


Figure 2: Hoses not provided; shown with JET bin

NOTE: For best performance, set your machine cutterhead and cutting speed to produce chips 2" or smaller.

JET

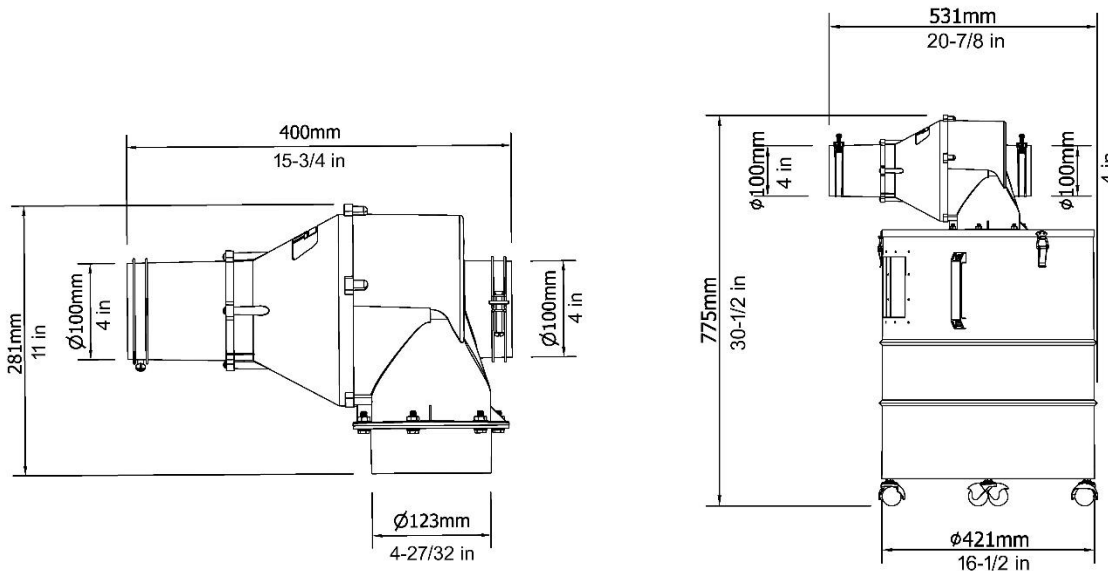
427 New Sanford Road
LaVergne, Tennessee 37086
Ph.: 800-274-6848
www.jettools.com

Part No. M-413400
Edition 2 06/2021
Copyright © 2021 JET

Specifications

		717600 (Separator)	717650 (Separator + JET bin)
Inlet and outlet diameter		4 in. (101.6 mm)	
Bin connection diameter		5 in. (127 mm)	
JET bin capacity		n/a	20 gal.
Overall size L x W x H		15-3/4 x 8-21/32 x 11 in. (400 x 220 x 281 mm)	20-7/8 x 16-1/2 x 30-1/2 in. (531 x 420 x 775 mm)
Main materials		PC (polycarbonate)	PC (polycarbonate) Bin: Steel; acrylic window
Shipping dimensions L x W x H		17-1/8 x 9-27/32 x 12 in. (435 x 250 x 305 mm)	19-11/16 x 19-11/16 x 23-7/32 in. (500 x 500 x 590 mm)
Weights	Net	3.5 lbs. (1.6 kgs)	18.7 lbs. (8.5 kgs)
	Shipping	4.85 lbs. (2.2 kgs)	24.7 lbs. (11.2 kgs)

n/a = not applicable



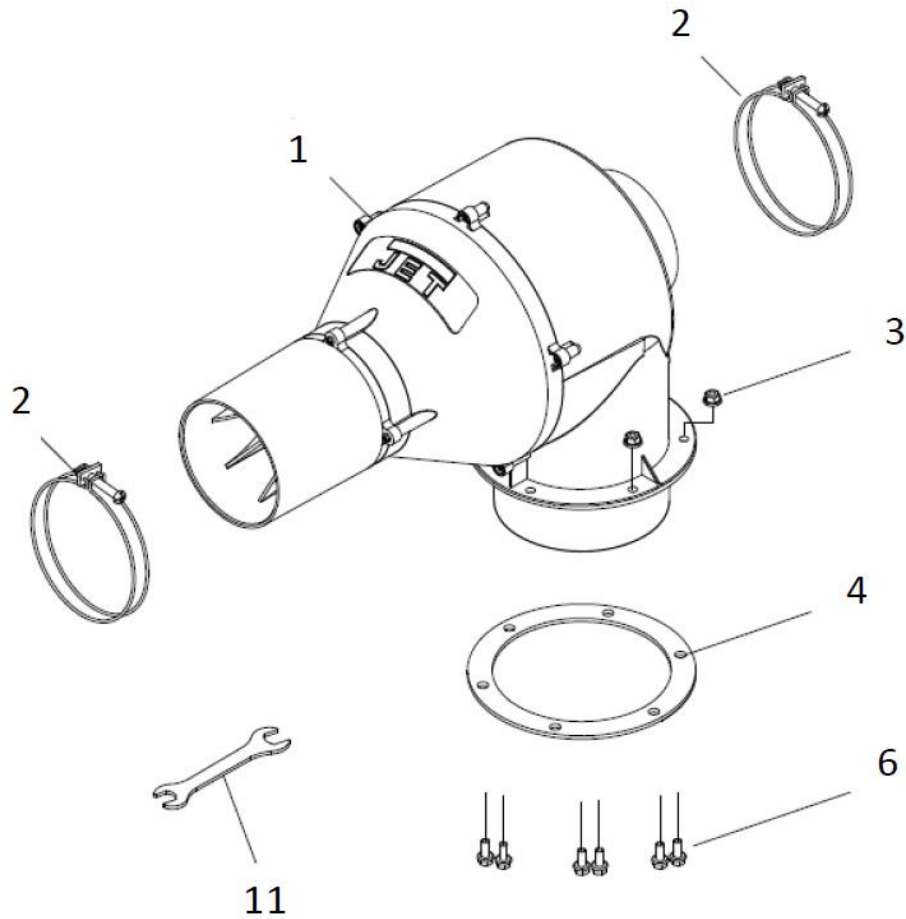
Specifications were current at time of publication, but because of our policy of continuous improvement, JET reserves the right to change specifications at any time and without prior notice, without incurring obligations.

To order parts or reach our service department, call 1-800-274-6848 Monday through Friday, 8:00 a.m. to 5:00 p.m. CST. Having the Model Number and Serial Number of your product available when you call will allow us to serve you quickly and accurately. Non-proprietary parts, such as fasteners, can be found at local hardware stores, or may be ordered from JET. Individual parts are available in a Hardware Package. See shipping contents for part numbers.

⚠ WARNING: This product can expose you to chemicals including lead which is known to the State of California to cause cancer and birth defects or other reproductive harm. For more information go to <http://www.p65warnings.ca.gov>.

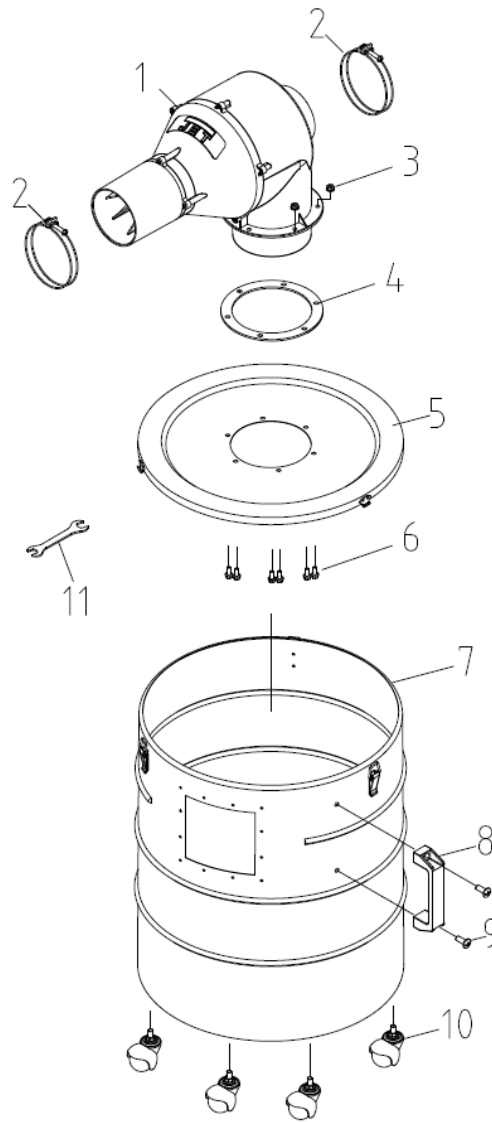
⚠ WARNING: Drilling, sawing, sanding or machining wood products generates wood dust and other substances known to the State of California to cause cancer. Avoid inhaling dust generated from wood products or use a dust mask or other safeguards for personal protection. Wood products emit chemicals known to the State of California to cause birth defects or other reproductive harm. For more information go to <http://www.p65warnings.ca.gov/wood>.

717600 Cyclone Separator Assembly – Parts Breakdown



Index No.	Part No.	Description	Size	Qty
1	216-A002-02	Chip Separator		1
2	512-B006	Wire Hose Clamp	4"	2
3	528-E016	Flanged Hex Nut	1/4"-20	6
4	516-B143	Gasket		1
6	504-F003	Washer Head Screw	1/4"-20x3/4"	6
11	530-B010	Wrench	10-14mm	1
	600HP	Hardware Package (includes #2 thru 4, 6, 11)		

717650 Cyclone Separator with Dust Collection Bin Assembly – Parts Breakdown



Index No.	Part No.	Description	Size	Qty
1	216-A002-02	Chip Separator		1
2	512-B006	Wire Hose Clamp	4"	2
3	528-E016	Flanged Hex Nut	1/4"-20	6
4	516-B143	Gasket		1
5	225-D172D-01	Bin Lid		1
6	504-F003	Washer Head Screw	1/4"-20x3/4"	6
7	225-D173D-01	Steel Dust Collection Bin		1
8	516-F011	Handle		1
9	504-B016	Pan Head Screw	1/4"-20x1/2"	2
10	514-A006	Caster		4
11	530-B010	Wrench	10-14	1
	600HP	Hardware Package (includes #2 thru 4, 6, 11)		
	650HP	Hardware Package (includes #8,9,10)		