



## Assembly Instructions and Parts Breakdown

# A635 Safety Shield

### Assembly

To mount Safety Shield to your JET drill press or milling machine, proceed as follows.

(Numbers in parentheses refer to index numbers in Figure 1 and exploded view. Refer to exploded view on reverse side if clarification is needed.)

1. If there are no existing mounting holes on your machine, drill two threaded holes at least 1/2 in. deep in left side of machine headstock. [If you are using the provided M8 socket head screws (#14), drill M8-1.25 holes.] Use bracket (#7) as template for hole pattern.

NOTE: Make sure bracket location will allow shield to clear front of headstock.

2. Install bracket assembly (#7) to headstock with two M8X20 socket head screws (#14).
3. Install support arm (#11) and secure with hex nut and spring washer (#12/13).
4. Install lower bracket bar (#9) and secure with hex nut and flat washer.
5. Mount shield (#8) to lower bracket bar (#9) using two socket head screws (#10) and flat washers (#17).
6. Install limit switch (#18) if desired. (Wiring connections must be made by qualified electrician.)

### Adjustments

Loosen lock handle (5) to adjust vertical positioning of shield. Tighten lock handle before operating machine.

Loosen knob (15) to adjust horizontal positioning of shield. Tighten knob before operating machine.

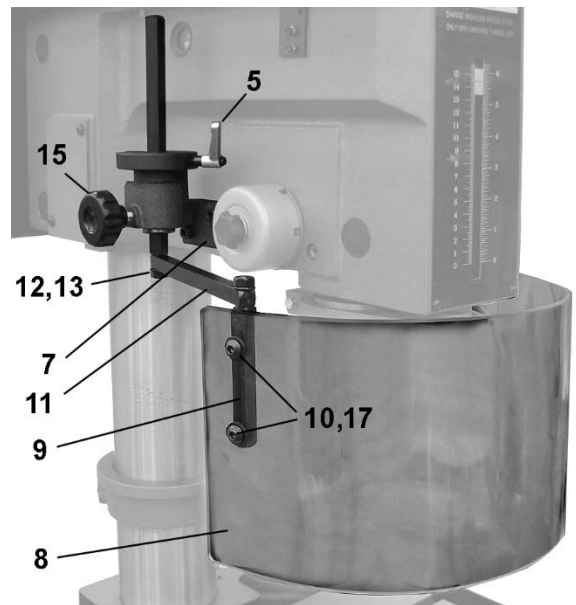


Figure 1

### JET

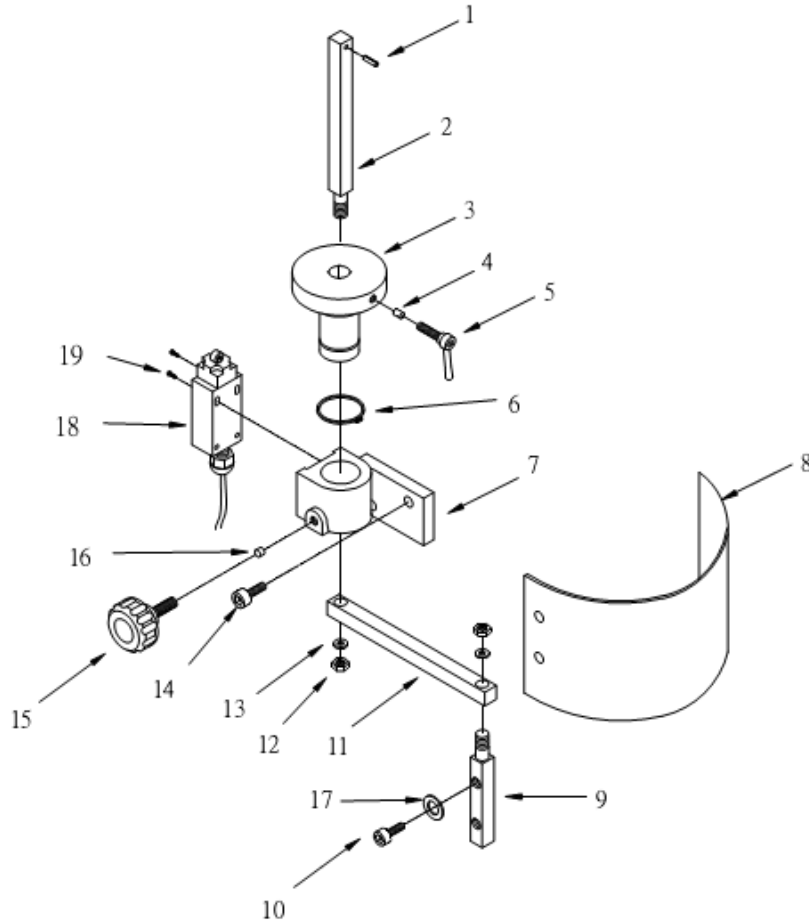
427 New Sanford Road  
LaVergne, Tennessee 37086  
Ph.: 800-274-6848  
www.jettools.com

Part No. M-A635  
Edition 1 12/2015  
Copyright © 2015 JET

To order parts or reach our service department, call 1-800-274-6848 Monday through Friday, 8:00 a.m. to 5:00 p.m. CST. Having the Model Number of your product available when you call will allow us to serve you quickly and accurately.

Non-proprietary parts, such as fasteners, can usually be found at local hardware stores or may be ordered from JET.

### A635 Safety Shield Assembly – Parts List



Index No.	Part No.	Description	Size	Qty
	A635	Safety Shield Assembly (# 1 thru 19)		
1	6293347	Spring Pin	3 x 16 mm	1
2	32106A-2	Support Bracket Bar		1
3	32106A-3	Bushing		1
4	32106A-4	Spacer		1
5	32106A-5	Lock Handle	M6x20	1
6	32106A-6	C-Clip	S30	1
7	32106A-7	Bracket		1
8	32106A-8	Safety Shield	530 x 210mm	1
9	32106A-9	Lower Bracket Bar		1
10	TS-1504021	Hex Socket Head Cap Screw	M8-1.25 x 12	2
11	32106A-11	Support Arm		1
12	TS-0570031	Hex Nut	3/8"-16	2
13	TS-0720091	Spring Washer	3/8"	2
14	TS-1504041	Hex Socket Head Cap Screw	M8 x 20	2
15	32106A-16	Lock Bolt with Knob	M8	1
16	32106A-17	Spacer		1
17	TS-1550061	Flat Washer	8mm	2
18	A635-18	Limit Switch		1
19	TS-2284202	Phillips Head Screw	M4x20	2