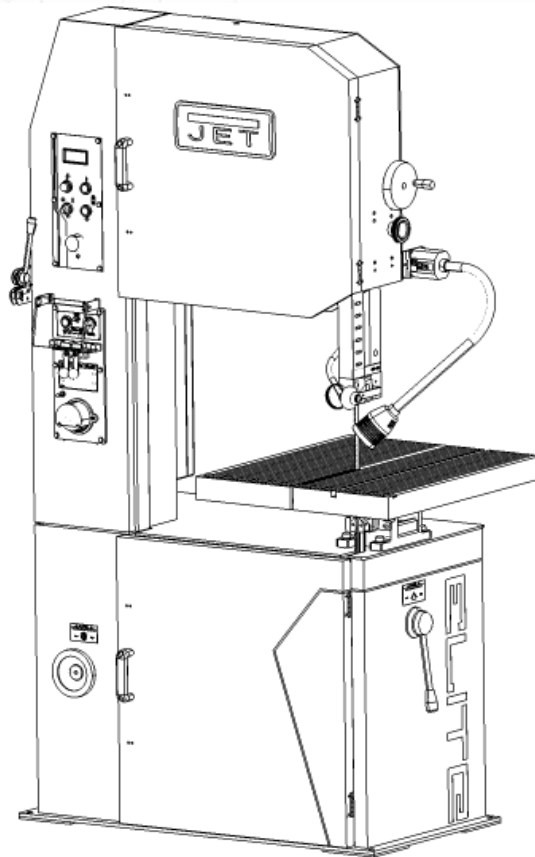


# ELITE

HIGH PERFORMANCE MACHINERY

## Operating Instructions and Parts Manual Vertical Band Saw Model EVBS-26



**JET®**

427 New Sanford Road  
LaVergne, Tennessee 37086  
www.jettools.com  
Ph.: 855-336-4032

Part No. M-891115  
REV C 10/2018  
Copyright © 2018 JET



## 1.0 WARRANTY AND SERVICE

JET® warrants every product it sells against manufacturers' defects. If one of our tools needs service or repair, please contact Technical Service by calling 1-855-336-4032, 8AM to 5PM CST, Monday through Friday.

### WARRANTY PERIOD

The general warranty lasts for the time period specified in the literature included with your product or on the official JET branded website, [jettools.com](http://jettools.com).



### WHO IS COVERED?

This warranty covers only the initial purchaser of the product from the date of delivery.

### WHAT IS COVERED?

This warranty covers any defects in workmanship or materials subject to the limitations stated below. This warranty does not cover failures due directly or indirectly to misuse, abuse, negligence or accidents, normal wear-and-tear, improper repair, alterations or lack of maintenance.

### HOW TO GET TECHNICAL SUPPORT

Please contact Technical Service by calling 1-855-336-4032. Please note that you will be asked to provide proof of initial purchase when calling. If a product requires further inspection, the Technical Service representative will explain and assist with any additional action needed. JET has Authorized Service Centers located throughout the United States. For the name of an Authorized Service Center in your area call 1-855-336-4032 or use the Service Center Locator on the JET website.

### **MORE INFORMATION**

JET® is constantly adding new products. For complete, up-to-date product information, check with your local distributor or visit the JET website, [jettools.com](http://jettools.com).

### **HOW STATE LAW APPLIES**

This warranty gives you specific legal rights, subject to applicable state law.

### **LIMITATIONS ON THIS WARRANTY**

JET LIMITS ALL IMPLIED WARRANTIES TO THE PERIOD OF THE LIMITED WARRANTY FOR EACH PRODUCT. EXCEPT AS STATED HEREIN, ANY IMPLIED WARRANTIES OF MERCHANTABILITY AND FITNESS FOR A PARTICULAR PURPOSE ARE EXCLUDED. SOME STATES DO NOT ALLOW LIMITATIONS ON HOW LONG AN IMPLIED WARRANTY LASTS, SO THE ABOVE LIMITATION MAY NOT APPLY TO YOU.

JET SHALL IN NO EVENT BE LIABLE FOR DEATH, INJURIES TO PERSONS OR PROPERTY, OR FOR INCIDENTAL, CONTINGENT, SPECIAL, OR CONSEQUENTIAL DAMAGES ARISING FROM THE USE OF OUR PRODUCTS. SOME STATES DO NOT ALLOW THE EXCLUSION OR LIMITATION OF INCIDENTAL OR CONSEQUENTIAL DAMAGES, SO THE ABOVE LIMITATION OR EXCLUSION MAY NOT APPLY TO YOU.

JET sells through distributors only. The specifications listed in JET printed materials and on official JET website are given as general information and are not binding. JET reserves the right to effect at any time, without prior notice, those alterations to parts, fittings, and accessory equipment which they may deem necessary for any reason whatsoever. JET® branded products are not sold in Canada by JPW Industries, Inc.

NOTE: JET is a division of JPW Industries, Inc. References in this document to JET also apply to JPW Industries, Inc., or any of its successors in interest to the JET brand.



## 2.0 TABLE OF CONTENTS

1.0 WARRANTY AND SERVICE .....	2
2.0 TABLE OF CONTENTS .....	4
3.0 SAFETY WARNINGS .....	5
4.0 INTRODUCTION .....	6
5.0 SPECIFICATIONS .....	7
6.0 UNCRATING AND ASSEMBLY .....	8
7.0 INSTALLATION .....	8
8.0 ELECTRICAL CONNECTIONS .....	8
8.1 VOLTAGE CONVERSION .....	8
8.2 THREE-PHASE TEST RUN .....	8
9.0 CONTROLS .....	9
10.0 ADJUSTMENTS .....	10
10.1 BLADE TENSIONING .....	10
10.2 BLADE TRACKING .....	11
10.3 BLADE GUIDE ADJUSTMENT .....	11
10.4 TOP GUIDE ADJUSTMENT .....	12
10.5 CHANGING SAW BLADES .....	12
10.6 WORK LAMP BULB .....	12
11.0 BLADE SELECTION .....	12
11.1 MATERIAL COMPOSITION .....	12
11.2 TOOTH SHAPE .....	13
11.3 SET TYPE .....	13
11.4 GAGE .....	13
11.5 KERF .....	13
11.6 WIDTH .....	13
11.7 BLADE BREAKAGE .....	13
12.0 WELDER OPERATION .....	13
12.1 SHEARING .....	13
12.2 REMOVING TEETH .....	14
12.3 WELDING .....	14
12.4 ANNEALING .....	15
12.4.1 CARBON STEEL BLADES .....	16
12.4.2 CARBON STEEL HARD BLACK BLADES .....	16
12.4.3 BI-METAL BLADES .....	16
12.5 BLADE GRINDING .....	16
12.6 SECONDARY ANNEALING .....	17
12.7 WELDER CLEAN-UP .....	17
13.0 BAND SAW OPERATION .....	17
13.1 BLADE BREAK-IN PROCEDURE .....	17
13.2 SETTING BLADE SPEED .....	17
13.3 EVALUATING CUTTING EFFICIENCY .....	17
14.0 MAINTENANCE .....	18
14.1 LUBRICATION SCHEDULE .....	18
15.0 TROUBLESHOOTING .....	19
15.1 OPERATING PROBLEMS .....	19
15.2 MECHANICAL AND ELECTRICAL PROBLEMS .....	20
15.3 WELDED BLADE INSPECTION .....	21
15.4 WELDER MECHANICAL PROBLEMS .....	22
16.0 SPEED AND PITCH CHART .....	23
17.0 REPLACEMENT PARTS — EVBS 20 .....	24
18.0 ELECTRICAL CONNECTIONS .....	33
19.0 WIRING DIAGRAM .....	34

### 3.0 SAFETY WARNINGS

1. Read and understand the entire owner's manual before attempting assembly or operation.
2. Read and understand the warnings posted on the machine and in this manual. Failure to comply with all of these warnings may cause serious injury.
3. Replace the warning labels if they become obscured or removed.
4. This band saw is designed and intended for use by properly trained and experienced personnel only. If you are not familiar with the proper and safe operation of a band saw, do not use until proper training and knowledge have been obtained.
5. Do not use this band saw for other than its intended use. If used for other purposes, JET®, disclaims any real or implied warranty and holds itself harmless from any injury that may result from that use.
6. Always wear approved safety glasses/face shields while using this band saw. Everyday eyeglasses only have impact resistant lenses; they are not safety glasses.
7. Before operating this band saw, remove tie, rings, watches and other jewelry, and roll sleeves up past the elbows. Remove all loose clothing and confine long hair. Non-slip footwear or anti-skid floor strips are recommended. Do not wear gloves.
8. Wear ear protectors (plugs or muffs) during extended periods of operation.
9. Do not operate this machine while tired or under the influence of drugs, alcohol or any medication.
10. Make certain the switch is in the OFF position before connecting the machine to the power supply.
11. Make certain the machine is properly grounded.
12. Make all machine adjustments or maintenance with the machine unplugged from the power source.
13. Remove adjusting keys and wrenches. Form a habit of checking to see that keys and adjusting wrenches are removed from the machine before turning it on.
14. Avoid contact with coolant, especially guarding your eyes.
15. Always keeps hands and fingers away from the blade when the machine is running.
16. Never hand hold the material. Always use the vise and clamp it securely.
17. Always provide adequate support for long and heavy material.
18. Keep safety guards in place at all times when the machine is in use. If removed for maintenance purposes, use extreme caution and replace the guards immediately after maintenance is complete.
19. Check damaged parts. Before further use of the machine, a guard or other part that is damaged should be carefully checked to determine that it will operate properly and perform its intended function. Check for alignment of moving parts, binding of moving parts, breakage of parts, mounting and any other conditions that may affect its operation. A guard or other part that is damaged should be properly repaired or replaced.
20. Do not use power tools in damp/wet locations or other dangerous environments. Do not expose them to rain. Keep work area well lighted. Provide for adequate space surrounding work area and non-glare overhead lighting.
21. Keep the floor around the machine clean and free of scrap material, oil and grease.
22. Keep visitors a safe distance from the work area. Keep children away. Workshop should be childproof; padlocks, master switches, remove starter keys.
23. Give your work undivided attention. Looking around, carrying on a conversation and "horse-play" are careless acts that can result in serious injury.
24. Maintain a balanced stance at all times so that you do not fall or lean against the blade or other moving parts. Do not overreach or use excessive force to perform any machine operation.
25. Use the right tool at the correct speed and feed rate. Do not force a tool or attachment to do a job for which it was not designed. The right tool will do the job better and more safely.
26. Use recommended accessories; improper accessories may be hazardous.
27. Maintain tools with care. Keep blade sharp and clean for the best and safest performance. Follow instructions for lubricating and changing accessories.
28. Maintain proper adjustment of blade tension, blade guides and thrust bearings.
29. Turn off the machine and disconnect from power before cleaning. Use a brush to remove chips or debris — do not use your hands.
30. Do not stand on the machine. Serious injury could occur if the machine tips over.
31. Never leave the machine running unattended. Turn the power off and do not leave the machine until it comes to a complete stop.
32. Be sure that the blade is not in contact with the workpiece when the motor is started. The motor shall be started and you should allow the saw to come up to full speed before bringing the saw blade into contact with the workpiece.



33. Adjust upper guide to clear workpiece. Hold workpiece firmly against table.
34. Direction of feed — feed work into a blade or cutter against the direction of rotation of the blade or cutter only.
35. Installation work and electrical wiring must be done by qualified electrician in accordance with all applicable codes and standards.
36. Do not remove jammed pieces until blade has stopped.

**⚠ WARNING:** This product can expose you to chemicals including lead which is known to the State of California to cause cancer and birth defects or other reproductive harm. For more information go to <http://www.p65warnings.ca.gov>.

**⚠ WARNING:** Some dust, fumes and gases created by power sanding, sawing, grinding, drilling, welding and other construction activities contain chemicals known to the State of California to cause cancer and birth defects or other reproductive harm. Some examples of these chemicals are:

- lead from lead based paint
- crystalline silica from bricks, cement and other masonry products
- arsenic and chromium from chemically treated lumber

Your risk of exposure varies, depending on how often you do this type of work. To reduce your exposure to these chemicals, work in a well-ventilated area and work with approved safety equipment, such as dust masks that are specifically designed to filter out microscopic particles. For more information go to <http://www.p65warnings.ca.gov/> and <http://www.p65warnings.ca.gov/wood>.

**Familiarize yourself with the following safety notices used in this manual:**

**⚠ CAUTION**

*This means that if precautions are not heeded, it may result in minor injury and/or possible machine damage.*

**⚠ WARNING**

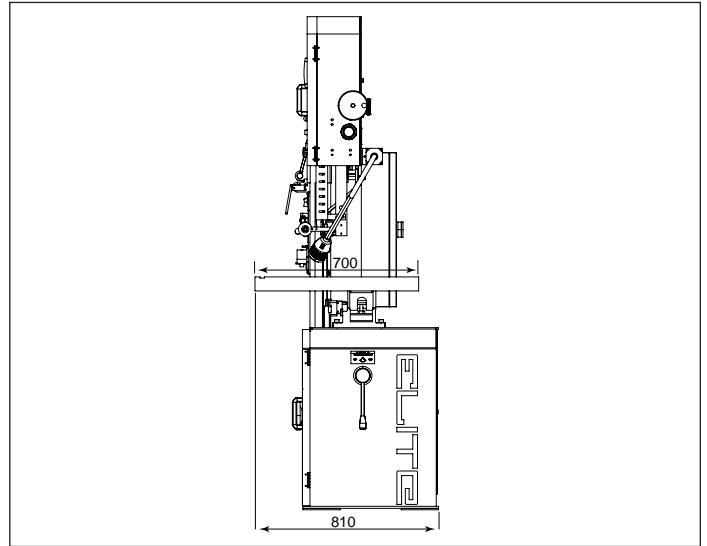
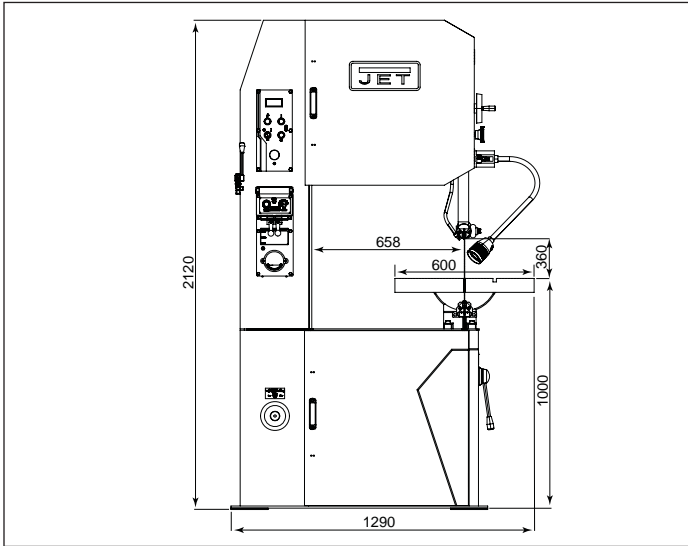
*This means that if precautions are not heeded, it may result in serious or even fatal injury.*

## 4.0 INTRODUCTION

This manual is provided by JET® covering the safe operation and maintenance procedures for a JET Model EVBS-26. This manual contains instructions on installation, safety precautions, general operating procedures, maintenance instructions and parts breakdown. Your machine has been designed and constructed to provide years of trouble-free operation if used in accordance with the instructions as set forth in this document.

If there are questions or comments, please contact your local supplier or JET. JET can also be reached at our web site: [www.jettools.com](http://www.jettools.com). Retain this manual for future reference. If the machine transfers ownership, the manual should accompany it.

## 5.0 SPECIFICATIONS



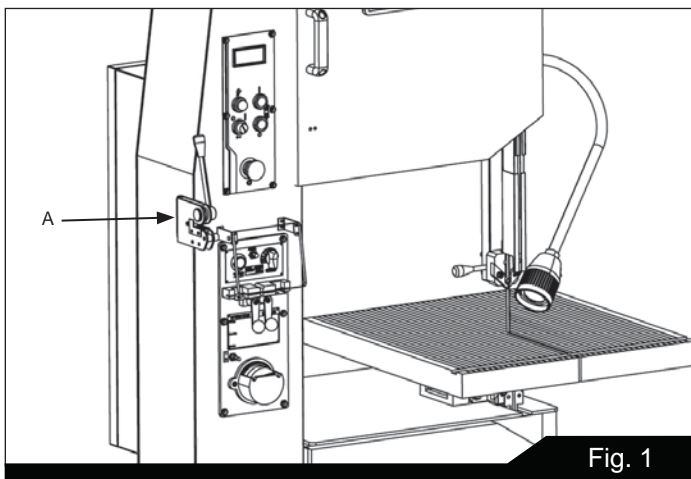
Model Number	EVBS-26
Stock Number	891115
Capacities	
Height (max. in)	14"
Throat (max. in)	26"
Blade Speed	Variable
Low Range	50
High Range	5000
Motor	3HP 230/460V 8/4 A 1PH or 3PH CSA/CUS Certified
Blade Length (in.)	185-1/2
Blade Width (min.-max.) (in.)	1/8-1
Table Size (LxW in.)	27-1/2x23-1/2
Table Height (in.)	39-3/8
Table Tilt (°)	10 L, 45 R
Overall Dimensions (LxWxH in.)	51x32x83-1/2
Net Weight (lbs.)	1,433
Gross Weight (lbs.)	1,655

*The specifications in this manual were current at time of publication, but because of our policy of continuous improvement, JET<sup>®</sup>, reserves the right to change specifications at any time and without prior notice, without incurring obligations.*

## 6.0 UNCRATING AND ASSEMBLY

**Note: Read and understand the entire manual before attempting setup or operation.**

1. Finish uncrating the saw and inspect for damage. Should any have occurred, contact your local distributor.
2. Remove any preservatives with kerosene or diesel oil. Do not use gasoline, paint thinner, or any cellulose-based product, as these will damage painted surfaces.
3. Remove two socket head cap screws from left side of vertical column. Attach shear assembly (A, Figure 1) to column by inserting screws.
4. Place rip fence onto table and tighten with locking knob.



## 7.0 INSTALLATION

For best performance, the band saw should be located on a solid and level foundation. Allow room for servicing and for moving large stock around the band saw when deciding a location for the machine.

1. Remove four (4) nuts and washers holding band saw to shipping crate bottom.
2. Use the lifting ring to lift band saw into its permanent location. For best performance, band saw should be bolted to floor after a level position has been found.
3. Using a square, adjust table 90 degrees to blade, both front to back and side to side. Loosen the hex cap screws below the table to move it and tighten to hold table in place. If necessary, adjust the pointers to zero should they read different once table is perpendicular to blade in both directions.

4. To level the machine, place a machinist's level on the table and observe in both directions.
5. Use metal shims under the appropriate hold down screw. Tighten screw and recheck for level.
6. Adjust with additional shims, as required, until table is level when all mounting screws (or nuts) are tight.

## 8.0 ELECTRICAL CONNECTIONS

### WARNING

**All electrical connections must be done by a qualified electrician. All adjustments or repairs must be done with machine disconnected from power source. Failure to comply may cause serious injury.**

The Vertical Band Saw is rated at 230/460V and comes from the factory prewired 230V.

You may either connect a proper UL-listed plug suitable for 230 volt operation, or "hard-wire" the machine directly to your electrical panel provided there is a disconnect near the machine for the user.

The band saw must be grounded. A qualified electrician can make the proper electrical connections and confirm the power on site is compatible with the saw.

Before connecting to power source, make sure switch is in off position.

### 8.1 VOLTAGE CONVERSION

To switch to 460V operation:

1. Switch the jumper wires on the circuit board. Remove control panel from saw body and change the jumper wires according to the list in section 18.0, Electrical Connections.
2. If a plug is to be used, install a proper UL-listed plug suitable for 460V operation.

**IMPORTANT:** Consult the diagrams in section 19.0 for any clarification of these changes on 230V to 460V conversion.

### 8.2 THREE-PHASE TEST RUN

After wiring the band saw, you should check that the wires have been connected properly. Connect machine to power source and turn it on for an instant to watch direction of blade movement.

If blade runs upward instead of downward, disconnect machine from power, and switch any two of the three leads in the motor junction box (see section 19.0, *Wiring Diagram*).



## 9.0 CONTROLS

Refer to Figures 2 and 3.

### Low/High Range Shift Lever (B, Figure 2) -

Pull toward front of machine to shift into low speed range. Push toward rear of machine to shift into high speed range.

### CAUTION

*Move low/high range lever only while machine is STOPPED. Failure to comply may damage gearbox.*

### Speed Selection Handwheel (V, Figure 2) -

Turn clockwise to increase speed, counterclockwise to decrease.

### CAUTION

*Turn speed selection handwheel only while machine is RUNNING. Failure to comply may damage gearbox.*

### Upper Blade Guide Lock Knob (D, Figure 2) -

Turn counterclockwise to loosen and clockwise to tighten.

### Upper Blade Guide Knob (E, Figure 2) -

Turn clockwise to raise blade guide assembly; counterclockwise to lower.

### Work Lamp Switch (F, Figure 2) -

Located on top of lamp shade; turns lamp on and off.

### Shear Lever (G, Figure 2) -

UP position allows insertion of blade end into shear. Pull lever DOWN to cut blade.

### Main Motor Start Switch (H, Figure 3) -

Press to start band saw.

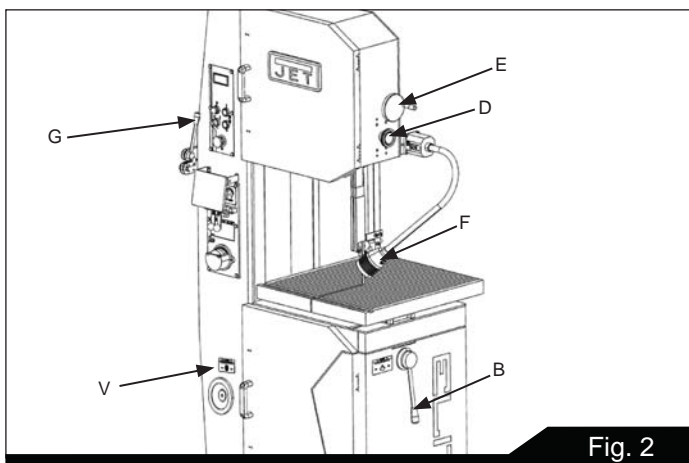


Fig. 2

### Main Motor Stop Switch (I, Figure 3) -

Press to stop band saw.

### Key Lock Switch (J, Figure 3) -

Turn to 12 o'clock position and remove key to lock out power from the control panel. Insert key and turn to 3 o'clock position to turn on power to control panel.

### Emergency Stop Switch (K, Figure 3) -

Press to stop all machine functions. Turn 90° to reset.

### Power Lamp (L, Figure 3) -

Illuminated when power is being supplied to band saw.

### Digital Readout (M, Figure 3) -

Indicates blade speed in feet per minute.

**Note:** After saw is first started or the speed has been changed, allow at least a minute for the readout to

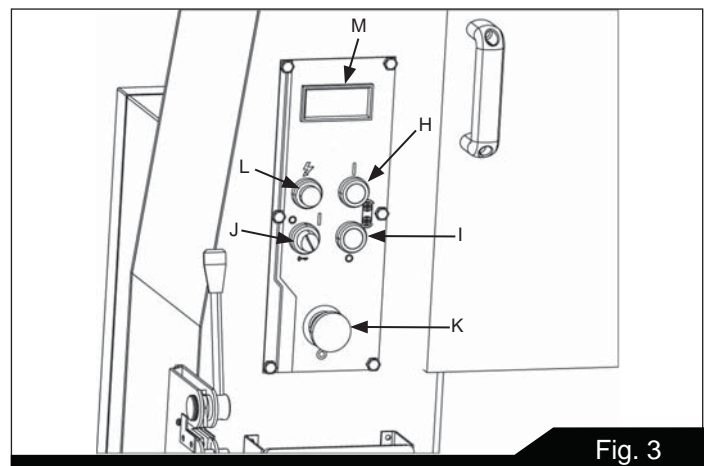


Fig. 3

### Grinder Toggle Switch (N, Figure 4) -

Located on blade welder panel. Flip switch up to start grinder; flip down to stop grinder.

### Weld Button (O, Figure 4) -

Located on blade welder panel. Press and hold to start welding. Shuts off automatically when weld is done. Release when weld is completed.

### Anneal Button (P, Figure 4) -

Located on blade welder panel. Press and hold to anneal blade, release to stop.

### Blade Clamp Pressure Knob (Q, Figure 4) -

Located on blade welder panel. Sets pressure for different width blades.

### Blade Clamps (R, Figure 4) -

Located on blade welder panel. DOWN position allows insertion of blade into clamp. Up position locks blade.

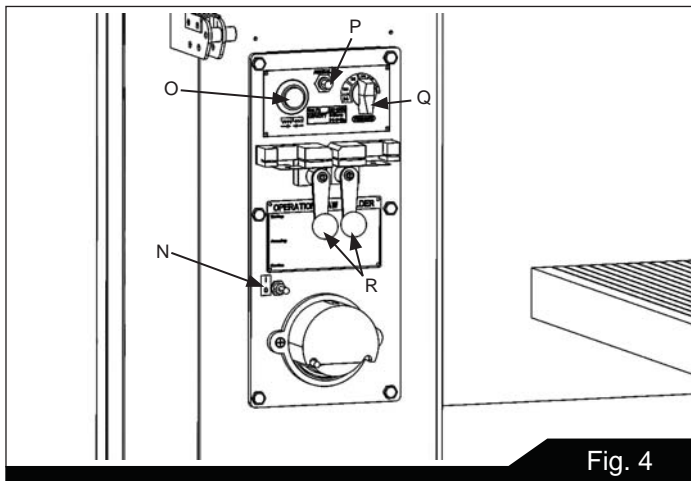


Fig. 4

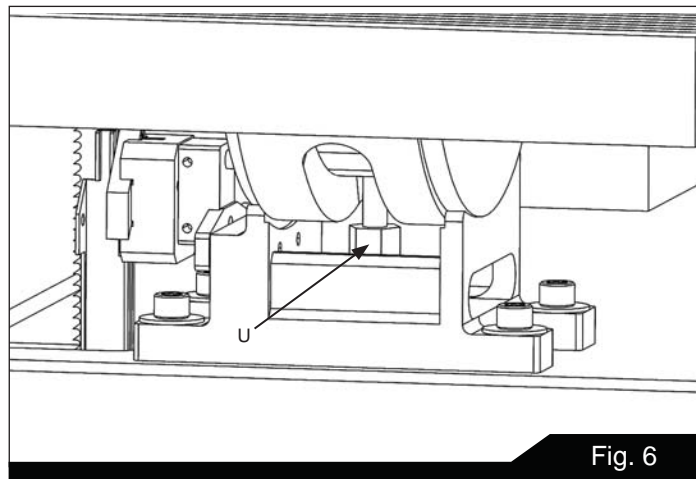


Fig. 6

**Blade Tension Handwheel (S, Figure 5) -**

Located on underside of upper frame. Turn clockwise to tension blade; counterclockwise to release tension on blade.

**Blade Tracking Knob (T, Figure 5) -**

Located at upper rear of the saw. Turn clockwise to track blade toward front of the blade wheel. Turn counterclockwise to track blade toward rear of the blade wheel.

**Table Tilt Mechanism -**

Take the appropriate supplied wrench and loosen the hex nut (U, Figure 6), set table to desired angle and re-tighten the nut.

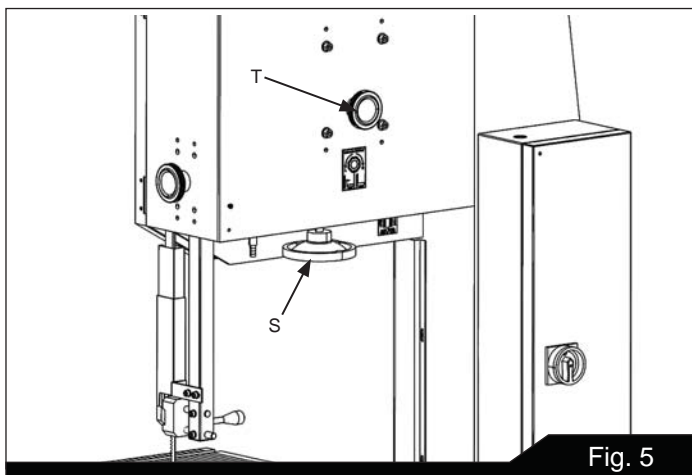


Fig. 5

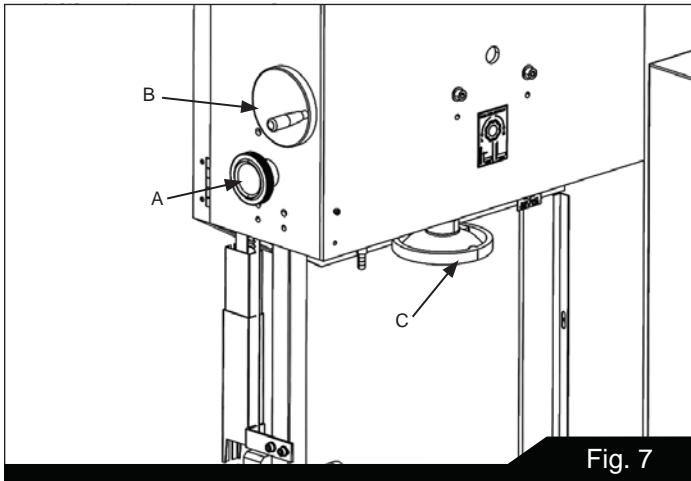
## 10.0 ADJUSTMENTS

### WARNING

*All adjustments or repairs to machine must be done with power off and machine disconnected from power source. Failure to comply may cause serious injury.*

### 10.1 BLADE TENSIONING

1. Raise upper blade guide by loosening lock knob (A, Figure 7) and turning blade guide knob (B) clockwise until it stops.
2. Apply finger pressure to blade. Travel from vertical should be approximately 3/8" each way.
3. To tighten blade, turn handwheel (C, Figure 7) clockwise. To loosen blade, turn knob counterclockwise.
4. Use blade tension indicator (D, Figure 8) as reference only. Blade should be tensioned using the finger pressure method.

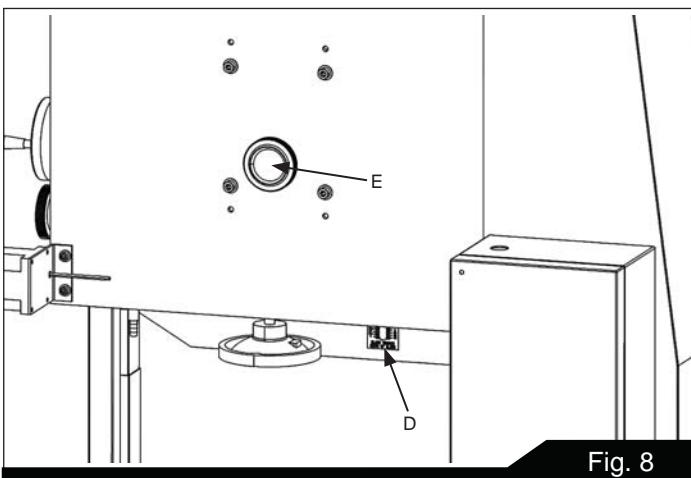


## 10.2 BLADE TRACKING

Blade tracking may be required periodically depending on the blade size and tension. The blade must be tensioned as outlined in section 10.1 *Blade Tensioning*. Disconnect the machine from the power source and open both blade wheel doors. Shift high-low gearbox lever into the neutral position. Turn upper blade wheel by hand while observing blade position on the upper blade wheel. If adjustment is necessary:

1. Turn blade tracking knob (E, Figure 8) clockwise to track blade toward front of blade wheel.
2. Turn tracking knob counterclockwise to track blade toward rear of blade wheel. Blade should be tracked as close to center of top blade wheel as possible.

**Note: Upper and lower blade guides should be moved away and left loose from the blade while tracking adjustments are being made.**



## 10.3 BLADE GUIDE ADJUSTMENT

### ⚠ CAUTION

*Blade guides must be properly adjusted or damage may occur to blade and/or guides.*

### ⚠ WARNING

*Guard has been removed to show detail. Always operate saw with guard in place and properly adjusted. Failure to comply may cause serious injury.*

1. Loosen lock knob (A, Figure 7) and turn blade guide knob (B, Figure 7) until blade guide assembly is half way between table and head, then tighten lock knob (A, Figure 7).
2. Loosen screw (F, Figure 9) and slide blade guide assembly away from blade until it stops.
3. Loosen screw (G, Figure 9). Slide blade stop (H, Figure 9) toward blade until a gap of 1/32" remains. Tighten screw (G, Figure 9).
4. Slide blade guide assembly toward blade until blade guides are just behind the gullets as in Figure 9. Tighten screw (F, Figure 9).
5. Open upper access door and rotate blade wheel by hand until weld portion of blade is between the two fingers.
6. Loosen two hex cap screws (I, Figure 9) and adjust each finger toward the blade. They should not touch the blade. Adjust for 0.010" clearance on either side.
7. Tighten two hex cap screws (I, Figure 9) once proper adjustment has been made.
8. Adjust lower blade guides in the same manner.

**Note: Even properly adjusted blade guides will show wear after continual use. Readjust as necessary. If the blade guides become difficult to adjust, switch the left and right blade guides.**

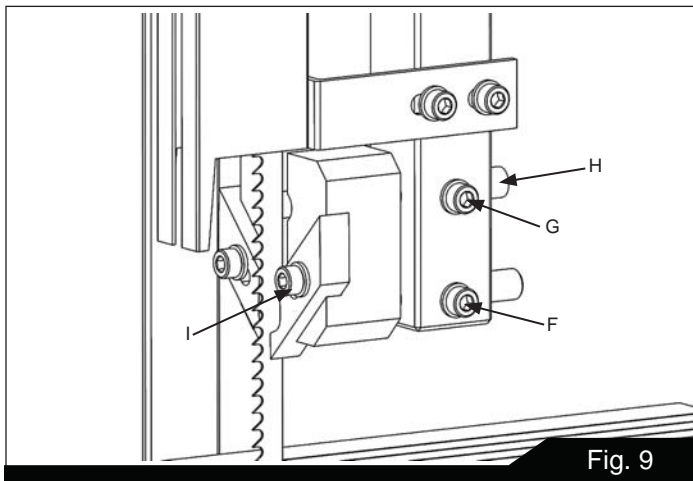


Fig. 9

#### 10.4 TOP GUIDE ADJUSTMENT

Always position top guide to within 1/8" of the top surface of workpiece. This minimizes exposure of operator's hands to the saw blade.

#### 10.5 CHANGING SAW BLADES

1. Disconnect saw from power source.
2. Move upper blade guide to its highest position and lock in place.
3. Open both wheel doors. Turn tension adjustment knob counterclockwise to loosen tension on blade.
4. Remove blade guard from column. Remove blade from both wheels and maneuver it around protective shield on upper blade guide. Use gloves when handling blades.
5. Install new blade by maneuvering around blade shield on upper blade guide.
6. Place it between the fingers of both blade guides and onto both wheels. Position next to both wheel flanges. Make sure teeth point down toward table.

**NOTE: If teeth will not point downward regardless of blade orientation, the blade is inside-out. Twist blade outside-in and reinstall.**

7. Verify that blade rests against ball bearing (Figure 10), not behind it.
8. Reinstall blade guard on column.
9. Tension blade by turning tension knob. Rotate wheel by hand and make sure blade is properly seated in blade guides. Blade guides will have to be adjusted if the replacement blade is a different type and width.

10. Turn on saw and check blade tracking. Adjust tracking if necessary.

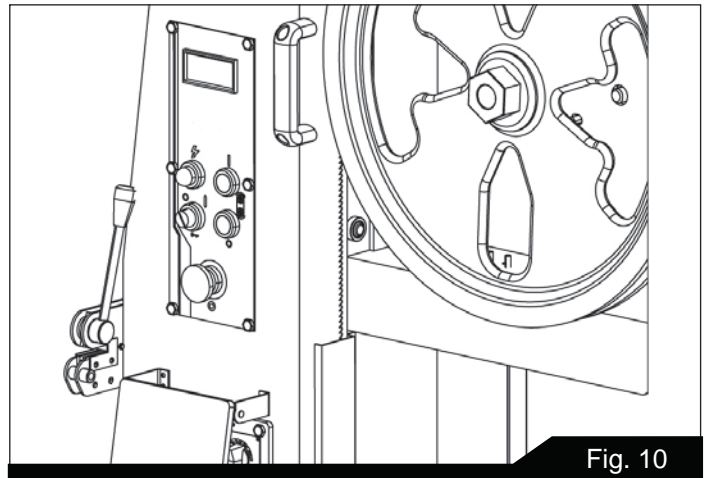


Fig. 10

#### 10.6 WORK LAMP BULB

The work lamp uses a standard medium-base 60 watt bulb (not provided).

### 11.0 BLADE SELECTION

Proper blade selection is just as important to band saw operation as is blade speed and material feed. Proper blade selection will impact blade life, straightness of cut, cut finish, and efficiency of operation. Excessive blade breakage, stripping of teeth, and waviness of cut are some of the results of improper blade selection.

Blades are classified by material composition, tooth shape, tooth pitch, tooth set, gage of the band material, and kerf of the set (width of cut).

#### 11.1 MATERIAL COMPOSITION

**Carbon Steel** – low cost, for use with non-ferrous materials, wood, and plastics.

**High Speed Steel** – resists heat generated by dry cutting. Used for ferrous metals.

**Alloy Steel** – tough and wear resistant, cuts faster with longer blade life. Used on hard materials. More expensive than carbon or high speed steel.

**Carbide Tipped** – for cutting unusual materials such as uranium, titanium, or beryllium.

## 11.2 TOOTH SHAPE

**Note:** When cutting thin materials, the rule for blade pitch is to have a minimum of two teeth engaging the material being cut at all times.

**Standard Tooth** - generally used to cut ferrous metals, hard bronze, hard brass, and thin metals.

**Skip Tooth** - have better chip clearance (larger gullet) and are used on softer, non-ferrous materials such as aluminum, copper, magnesium, and soft brass.

**Hook Tooth** - provides a chip breaker and has less tendency to gum up in softer materials. Used in the same materials as skip tooth but can be fed faster than standard or skip tooth blades.

## 11.3 SET TYPE

**Straight Set** – used for free cutting non-ferrous materials; i.e., aluminum, magnesium, plastics, and wood.

**Wavy Set** – used on materials of varying thickness (pipe, tubing, and structural shapes).

**Raker Set** – used in large cuts on thick plate and bar stock where finish of cut is not as important as speed.

## 11.4 GAGE

Gage is the thickness of material from which the blade is produced. The thicker the material, the stronger the blade.

## 11.5 KERF

Kerf is the width of a cut. Kerf will vary according to the set of the blade teeth.

## 11.6 WIDTH

The thinner the blade, the tighter will be the minimum radius of cut. Always use widest blade possible for the job.

General rules for blade selection:

- Select coarser pitch blades for thicker or softer material.
- Select finer pitch blades for thinner or harder material.
- Use fine pitch blades to obtain a smooth finish.
- Use coarse pitch blades to obtain faster cutting speeds (thick material).
- To prevent premature blade wear, use fastest practical speed.
- Adjust feed rate to ensure continuous cutting action.
- Run the bandsaw with blade centered in upper and lower guides, and guide fingers adjusted as close as possible without touching the blade or weld joint.

## WARNING

*Never adjust guide fingers while blade is running. Failure to comply may cause serious injury.*

## 11.7 BLADE BREAKAGE

Band saw blades are subject to high stresses and breakage may sometimes be unavoidable. However, many factors can be controlled to help prevent most blade breakage. Here are some common causes for breakage:

1. Misalignment of blade guides.
2. Feeding workpiece too quickly.
3. Using a wide blade to cut a short radius curve.
4. Excessive tension.
5. Teeth are dull or improperly set.
6. Upper guides are set too high off the workpiece.
7. Faulty weld on blade.

## 12.0 WELDER OPERATION

## WARNING

*Wear eye protection while operating welder. Use care when handling blade after welding to avoid burns.*

The welding procedure involves the following steps: Shearing the blade, grinding teeth to allow for the weld area, the actual welding, inspection of blade, annealing, grinding and a final inspection of blade. This procedure can be accomplished using the shear and welder assemblies on your band saw. Proceed as follows:

### 12.1 SHEARING

Cut blade to longest length needed for band saw. Using the shear to cut your blade will ensure that cut ends are flat, square and smooth.

1. Place handle in upright position.
2. Position blade against back of square cutting guide of shear. See Figure 11. Make sure blade is held square with shear knife, so that cut will be square with blade. (Continue on next page).

3. Position blade so that cut is made at a place that allows for uniform spacing of teeth. See Figure 12.
4. Bring handle down firmly to cut blade.

**IMPORTANT:** If a blade has been cut by using snips, the ends of the blade must be ground square before welding them together, as shown in Figure 14.

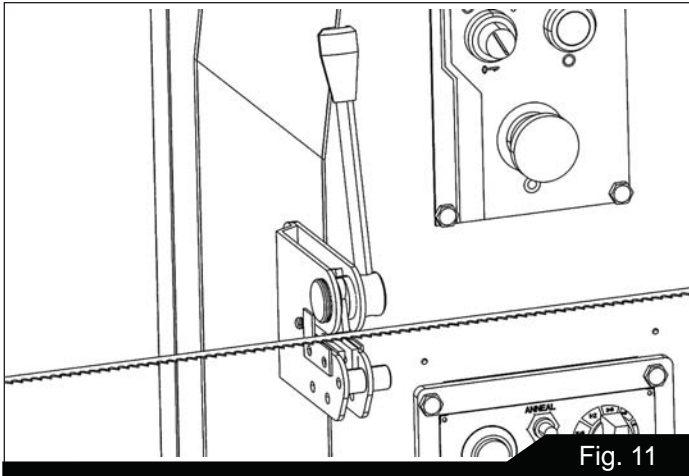


Fig. 11

## 12.2 REMOVING TEETH

In fine pitched blades, one or more of the teeth on each side of the cut may need to be removed by grinding so that the weld area of the blade is uniform and the teeth will be uniformly spaced. See Figure 12, and refer to section 12.5 Blade grinding.

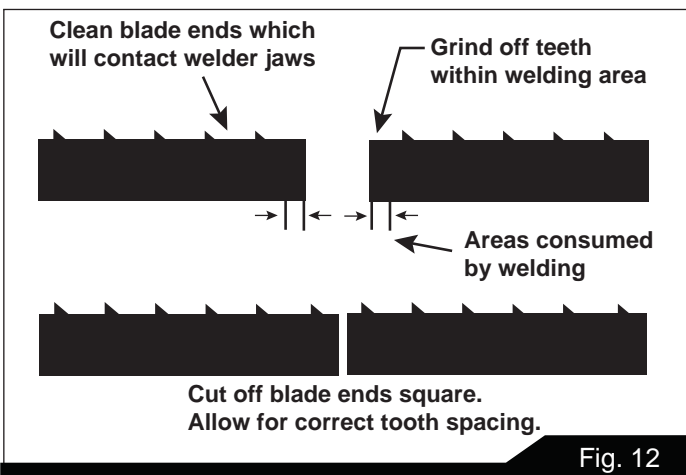


Fig. 12

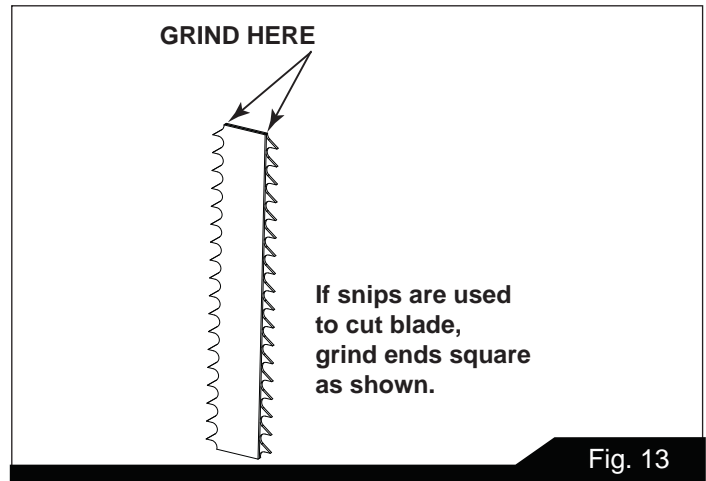


Fig. 13

## 12.3 WELDING

### ⚠ CAUTION

*The welder is designed for intermittent use. Repeated welding within a short period of time may cause welder to overheat.*

1. Clean welder jaws and lower jaw inserts.
2. Carefully clean ends of blade which will contact welder jaws. Remove any dirt, oil, scale and oxide.

### ⚠ CAUTION

*Any rust (oxide) on blade in vicinity of weld must be ground off before blade can be welded.*

3. Turn pressure knob (Figure 14) to "0" position (pointed downward).

**NOTE:** There will be some resistance when turning knob.

4. Insert one end of blade into left clamp. Position back edge of blade against back edge of left clamp. Then position the end of the blade midway between left and right clamps. Tighten left clamp.
5. Insert opposite end of blade into right clamp. Position back edge of blade against back edge of right clamp. Then butt the end of blade against the other end of blade (the blade ends need to be in contact with each other). Tighten right clamp.

- Set pressure selector switch (counterclockwise rotation) to the approximate setting required for the width of the blade being welded.

**⚠ WARNING**

**Keep hands clear of weld area and clamp jaws during welding.**

- Press and hold weld button (Figure 14). When weld button is pushed, the left clamp moves to the right to apply pressure to the blade ends. Simultaneously, sparks will be emitted from the blade ends as they are being welded. Do not release weld button until blade joint is "red hot."

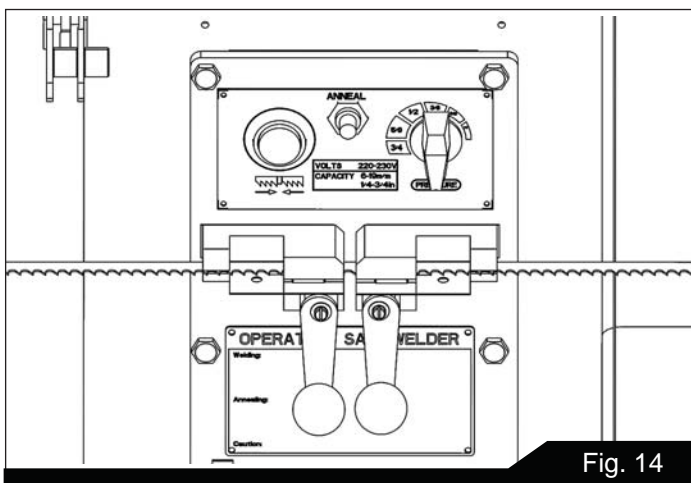


Fig. 14

- Release weld button, and wait 3 or 4 seconds until blade returns to original color. Unclamp blade.
- Rotate pressure selector switch back to "0".
- Remove blade from clamps, and carefully inspect it. The spacing of the teeth should be uniform and the weld should be located in center of gullet. Misalignment is easily noted at this time from the weld appearance. See Figure 15 for examples of incorrect welds.
- If the weld is imperfect, refer to section 15.3 for possible remedies to any problems. Make corrections before annealing.

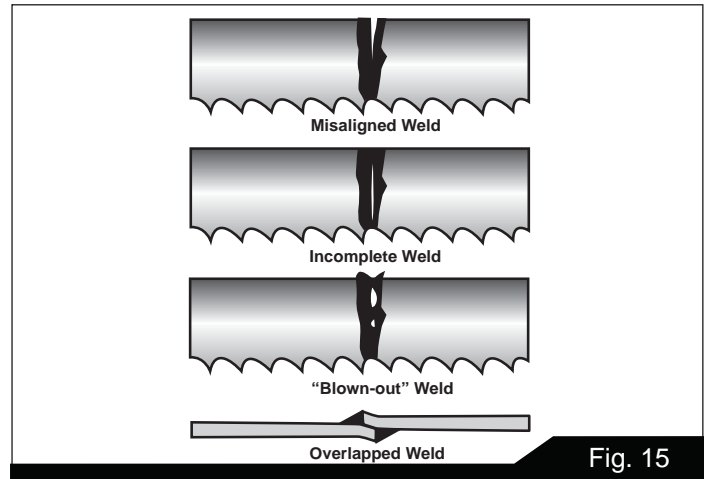


Fig. 15

## 12.4 ANNEALING

The blade must now be annealed, or cooled at a controlled rate to prevent it becoming too brittle.

The general procedure follows. Specific procedure will depend upon blade type, as described in sections 12.4.1 through 12.4.3.

- Turn pressure selector knob all the way to left so clamp jaws are closest to each other.
- Insert blade into clamps so that weld area is centered between clamps. Secure blade in jaws with the clamp handles.
- Quickly press and release ("jog") the anneal button (Figure 14). Repeat jog process until you see a slightly red glow from weld area.

**⚠ CAUTION**

**Do not press and hold the anneal push button. The weld will be overheated and will fail due to excessive heat.**

- Release both blade clamps, allow blade to cool, then remove blade from clamps.
- Check weld integrity. Bend blade to form a radius at point of weld. The size of the radius should be approximately the same as radius of band saw drive wheel. The weld must hold and not break or crack after forming the radius. If the weld breaks, cut away welded area and repeat welding-annealing process.
- Check to make sure welded section is same thickness as rest of blade. If not, grind off excess weld material using the grinder. Refer to section 12.5, *Blade Grinding*.

## ⚠ CAUTION

*If blade is thicker at the weld than at the rest of the blade, using the blade may damage the guides.*

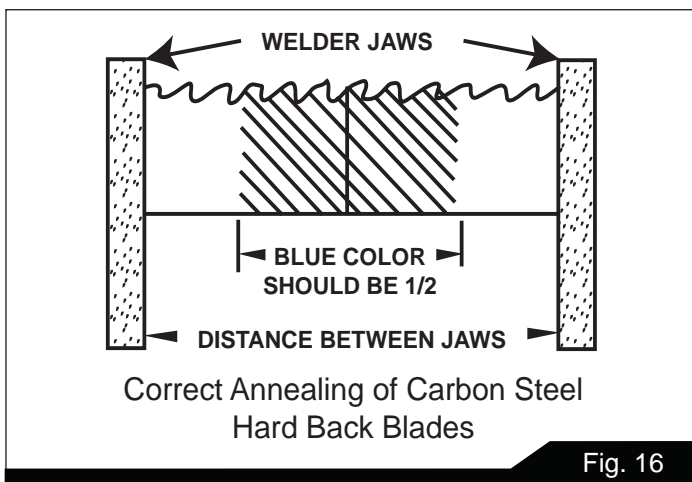
The following are variations of the general procedure, based upon blade type:

### 12.4.1 CARBON STEEL BLADES

1. Press and jog the annealing switch button until weld is a “dull cherry” to “cherry red” color.
2. Allow blade to cool slowly by decreasing jogging frequency.

### 12.4.2 CARBON STEEL HARD BACK BLADES

1. Heat blade slowly until weld becomes a deep blue color.
2. Continue to heat by jogging the anneal button until the width of the blue color is one-half the length of the band exposed between the jaws.
3. Do not overheat or the temper of the band will be damaged. **Caution - Do not heat beyond the “blue” stage.** If the band begins to show any red color, it is too hot. Cool quickly by releasing the anneal button.



### 12.4.3 BI-METAL BLADES

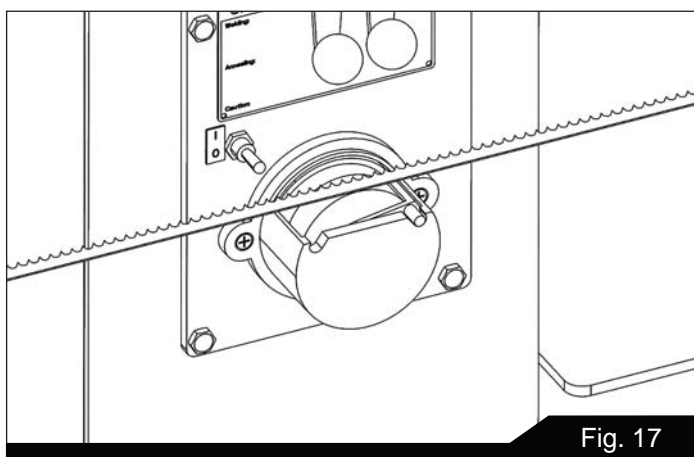
1. Heat blade slowly by jogging the annealing switch button until weld just begins to emit light (dull red color). The desired color may not always be visible in normal room light - always shade the weld area with your hand.
2. Cool the weld quickly by releasing the annealing button.
3. Follow this procedure before and after grinding bi-metal blades.

## 12.5 BLADE GRINDING

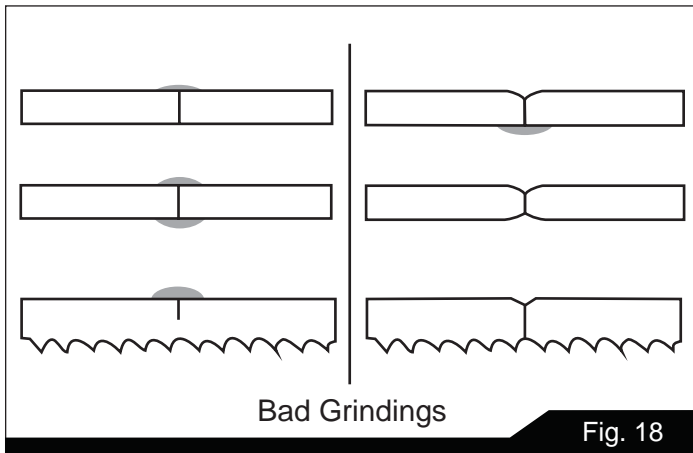
## ⚠ WARNING

*Keep hands away from rotating grinding wheel. Failure to comply may cause serious injury. Always heed the indicator light – when glowing, it warns that the grinder motor is running.*

After annealing, the blade must be ground to remove excess metal or flash from the weld. With the teeth facing out, grind the weld carefully (Figure 17). Do not hit the teeth, or grind deeper than the weld, burn, or overheat the weld area. Be sure to remove flash from back edge of blade. Any flash or “stub” teeth which project beyond the normal set or height of the other teeth must be ground off. Figure 18 illustrates some unacceptable grindings.







### 12.6 SECONDARY ANNEALING

Anneal the weld 2 to 3 times again after grinding.

### 12.7 WELDER CLEAN-UP

It is important that the welder jaws be kept clean at all times. The jaws and inserts must be wiped or scraped clean after every weld. Doing this will ensure better welds by:

1. Holding proper alignment.
2. Preventing flash from becoming embedded in the blade.
3. Preventing shorts or poor electrical contact.

## 13.0 BAND SAW OPERATION

Consult section 9.0 for identification of the controls. Unlock the control panel using the provided key.

### ! WARNING

**Never operate band saw without blade and wheel covers in place and secured.**

### 13.1 BLADE BREAK-IN PROCEDURE

New blades are very sharp and therefore have a tooth geometry that is easily damaged if a careful break-in procedure is not followed. Consult the blade manufacturer's literature for break-in of specific blades on specific materials. The following procedure will be adequate, however, for break-in of JET-supplied blades on lower alloy ferrous materials.

1. Use a section of round stock.
2. Operate the saw at low speed. Start the cut with a very light feed rate.

3. When the saw has completed about 1/3 of the cut, increase the feed rate slightly and allow the saw to complete the cut.
4. Keep the feed rate at the same setting and begin a second cut on the same or similar workpiece.
5. When the saw has completed about 1/3 of the cut, increase the feed rate while watching the chip formation until cutting is at its most efficient rate (refer to "Evaluating Cutting Efficiency" below). Allow the saw to complete the cut.
6. The blade is now considered ready for use.

### 13.2 SETTING BLADE SPEED

1. Refer to Speed and Pitch chart in section 16.0. Select speed setting for the material to be cut.
2. While machine is NOT running, move gear shift lever (B, Figure 2) to required speed setting (high or low).

### ! CAUTION

**Move gear shift lever only when machine is NOT running, to prevent damage to gearbox.**

3. Start saw using the pushbutton.
4. Turn speed setting knob (C, Figure 2) to required speed. Turning knob clockwise increases speed; counterclockwise decreases speed.

### ! CAUTION

**Rotate speed setting knob only when machine is running.**

### 13.3 EVALUATING CUTTING EFFICIENCY

The best way to determine whether a blade is cutting efficiently is to observe the chips formed by the cutting.

- If chip formation is powdery, then the feed rate is too light, or blade is dull.
- If the chips formed are curled, but colored – blue or straw colored from heat generated during the cut – then feed rate is excessive.
- If chips are slightly curled and not colored by heat, then the blade is sufficiently sharp and is cutting at its most efficient rate.



## 14.0 MAINTENANCE

### **WARNING**

*Before doing maintenance on the machine, disconnect it from the electrical supply by pulling out the plug or switching off the main switch. Failure to comply may cause serious injury.*

Use a brush to loosen accumulated chips and debris. Use a shop vacuum to remove the debris. Make sure the chip brush on the lower band wheel is properly adjusted.

If the power cord is worn, cut, or damaged in any way, have it replaced immediately.

Wipe off the rubber tires, and clean the tables after each day's use.

### 14.1 LUBRICATION SCHEDULE

- **Upper Blade Guide Shaft** – lightly grease weekly. Clean after each day's use.
- **Speed Change Handle** – grease monthly with a light film on teeth and threads.
- **Variable Pulley** - insert a light weight grease into the grease fitting located on end of pulley shaft.
- **Blade Tension Screw** – grease monthly.

## 15.0 TROUBLESHOOTING

### 15.1 OPERATING PROBLEMS

Table 1

Trouble	Probable Cause	Remedy
Saw blade is twisted.	Blade has been improperly welded.	Re-weld blade. See section 12.3
	Blade not installed properly.	Set guide inserts closer, and increase blade tension.
	Feeding workpiece too forcefully.	Decrease feed rate.
	Incorrect choice of blade.	Use proper width blade for radius or wavy line cutting.
Cuts not straight.	Blade tooth has improper set.	File to proper set or replace blade.
	Inadequate blade tension.	Increase tension.
	Guide post too high.	Set guide post closer to workpiece.
	Feed rate too strong.	Decrease feed rate.
Blade slips off wheel(s).	Inadequate blade tension.	Increase tension.
	Wheels not aligned properly.	Contact technical service for adjustment of wheel alignment.
Blade quickly becomes dull.	Blade speed too fast.	Use slower speed.
	Wrong blade for the job.	Use proper blade for workpiece.
	Feed rate excessive.	Decrease feed rate.
Blade warps.	Dull blade.	Sharpen or replace blade.
	Guide post not fixed properly.	Fix guide post in position.
	Blade not tensioned enough.	Increase tension.
	Blade not 90° to table.	Adjust table perpendicular to blade.
Band Saw is noisy, or vibrates too much.	Band Saw not resting on level surface.	Floor must be flat.
	Variable speed pulley is damaged.	Replace pulley.
Blade teeth keep breaking.	Incorrect blade for the job.	Select proper blade pitch and style.
	Blade is of inferior material.	Use better quality blade.
Blade becomes damaged easily.	Blade has been over-annealed.	Decrease annealing temperature.
	Too large a gap between blade guides and blade.	Adjust proper gap between guides and blade. See section 10.3
	Blade too wide for short radius cutting.	Select narrower blade appropriate to the job.



## 15.2 MECHANICAL AND ELECTRICAL PROBLEMS

Table 2

Trouble	Probable Cause	Remedy
Machine will not start/restart or repeatedly trips circuit breaker or blows fuses.	No incoming power.	Verify machine is connected to power source. Make sure START button is pushed in completely, and STOP button is disengaged.
	Cord damaged.	Replace cord.
	Overload automatic reset has not reset.	When the band saw overloads on the circuit breaker built into the motor starter, it may take time for the machine to cool down before restart. Allow unit to adequately cool before attempting restart. If problem persists, check amp setting on the motor starter.
	Band Saw frequently trips.	One cause of overloading trips which are not electrical in nature is too heavy a cut. The solution is to reduce feed pressure into the blade. If too heavy a cut is not the problem, then check the amp setting on the overload relay. Match the full load amps on the motor as noted on the motor plate. If amp setting is correct then there is probably a loose electrical lead.
	Building circuit breaker trips or fuse blows.	Verify that band saw is on a circuit of correct size. If circuit size is correct, there is probably a loose electrical lead.
	Switch or motor failure (how to distinguish).	If you have access to a voltmeter, you can separate a starter failure from a motor failure by first, verifying incoming voltage at 220+/-10% and second, checking the voltage between starter and motor at 220+/-10%. If incoming voltage is incorrect, you have a power supply problem. If voltage between starter and motor is incorrect, you have a starter problem. If voltage between starter and motor is correct, you have a motor problem.
	Motor overheated.	Clean motor of dust or debris to allow proper air circulation. Allow motor to cool down before restarting.
	Motor failure.	If electric motor is suspect, you have two options: Have a qualified electrician test the motor for function or remove the motor and take it to a qualified electric motor repair shop and have it tested.

Machine will not start/restart or repeatedly trips circuit breaker or blows fuses (cont.)	Miswiring of the unit.	Double check to confirm all electrical connections are correct. Refer to appropriate wiring diagrams to make any needed corrections.
	Switch failure.	If switch is suspect, you have two options: Have a qualified electrician test the switch for function, or purchase a new start switch and establish if that was the problem on changeout.
Band Saw does not come up to speed.	Extension cord too light or too long.	Replace with adequate size and length cord.
	Low current.	Contact a qualified electrician.

### 15.3 WELDED BLADE INSPECTION

Table 3

Trouble	Probable Cause	Remedy
Weld is misaligned.	Dirt or scale on clamp jaws or blade.	Always keep jaws clean. Clean blade before welding.
	Blade ends not square.	Before welding, grind cut edges of blade until they are square. Use the shear on the band saw for square cuts.
	Blade ends not correctly aligned when clamped in jaws.	Align ends properly before clamping.
	Worn clamp jaws	Replace clamp jaws.
	Clamp jaws not aligned correctly.	Align jaws correctly.
Misaligned weld: Blade ends are overlapped.	Pressure knob is set for wider blade than the one used.	Adjust pressure knob correctly for particular blade width.
	Blade ends or clamp jaws not aligned correctly.	Make corrections as needed.
Weld breaks when used.	Weld is weak and incomplete; possible "blow holes" (see Figure 16).	Cut and re-weld blade ends.
	Weld has been ground too thin.	Cut and re-weld blade ends.
	Weld incorrectly annealed.	Follow annealing instructions in section 12.4.
Incomplete weld.	Pressure knob not set correctly.	Make appropriate adjustment
	Improper clamping procedures.	Use proper procedures. See section 12.0.
	Limit switch not adjusted correctly.	Adjust limit switch correctly.
	Defective limit switch; doesn't break circuit at end of welding operation.	Replace limit switch.
	Clamp jaw movement obstructed by kinked jaw cable or tangled wires.	Bend cable and untangle wires.
Brittle weld.	Incorrect annealing heat.	Bring weld up to correct color. See section 12.4
	Scale or oil on weld caused poor annealing.	Keep clamp jaws and blade clean.



## 15.4 WELDER MECHANICAL PROBLEMS

Table 4

Trouble	Probable Cause	Remedy
Weld could not be made. Jaws do not move.	Wire connection is poor; connecting point of welding switch is bad.	Change switch, or grind the connecting port with a file.
	Transformer burned out.	Change transformer, or rewire it.
	Blade has oil on it.	Wipe off any oil.
	Blade ends have rust.	Grind off rust.
Weld area melts when weld switch is pushed.	Welding switch is cutting off late.	Screw welding switch connecting nut tighter.
	Welding press too weak.	Rotate pressure selector knob accordingly.
	Jaw movement too slow.	Put some oil on rear side of welding lever and the two jaws.
Blade cannot be tightly clamped with the clamp jaws.	Clamp jaws are out of order, or decayed.	Replace clamp jaws.
	Lower jaw inserts are out of order.	Replace lower jaw inserts.
Annealing doesn't occur when annealing button is pushed.	Annealing switch connection is poor.	Replace annealing switch.
	Fuse blown.	Replace fuse.
Annealing button will not return to correct position after release.	Annealing button has dust or debris around it.	Remove annealing button housing and clean out any dust or debris.
Grinder will not run when Grinder switch is pushed.	Grinder motor is burnt out.	Change grinder motor or rewire it.
	Grinder switch is bad.	Replace grinder switch.

## 16.0 SPEED AND PITCH CHART

Table 5

Material	Thickness	Sawing speed (Ft/min) for specified Material and thickness					Pitch (No. of teeth/inch)				
		~1/4	1/4~1	1~3	3~6	6~	~1/4	1/4~1	1~3	3~6	6~
High carbon steel		70	60	60	45	45	18	14	10	6	4
Free cutting steel		60	45	40	30	30	18	14	12	6	4
Ordinary tool steel		40	30	30	25	20	24	18	14	8	4
High speed steel		30	25	20	20	20	24	14	12	8	4
Stainless steel		25	20	20	20	20	18	14	10	8	4
Thick iron plate		45	30	20	20	20	18	14	10	8	4
Cast iron		45	40	30	25	20	18	14	12	8	4
Aluminum 108, A108		365	275	180	120	60	18	10	6	3	3
A132, C133		365	275	180	120	60	18	10	6	3	3
13,43,85,4032,6151		550	425	245	150	90	18	10	6	3	3
113,138,152,B-195		550	380	275	180	90	18	10	6	3	3
B-214,312,333		550	380	275	180	90	18	10	6	3	3
212,355,356,360,380		550	380	275	180	90	18	10	6	3	3
142,195,750		915	825	735	670	610	18	10	6	3	3
2014,2018,2025		915	825	735	670	610	18	10	6	3	3
6053,7075		915	825	735	670	610	18	10	6	3	3
6061,6063		1500	1220	1065	915	770	18	10	6	3	3
122,214,218,220		1500	1385	1220	1065	915	18	10	6	3	3
1100,2011,2017,3003,3004		1500	1500	1500	1385	1220	18	10	6	3	3
2024,5052		1500	1500	1500	1500	610	18	10	6	3	3
Magnesium bronze		125	75	40	25	20	14	8	6	3	3
Leaded commercial bronze		915	610	450	305	150	14	8	6	3	3
Commercial bronze		150	105	60	30	20	14	8	6	3	3
Free cutting brass		1220	915	610	450	300	14	8	6	3	3
Forging brass		610	460	335	245	150	14	8	6	3	3
High leaded brass		1065	825	565	410	260	14	8	6	3	3
Leaded brass		610	460	275	215	150	14	8	6	3	3
Low loaded brass		455	305	150	60	20	14	8	3	3	3
Leaded copper		765	550	360	240	120	14	8	3	3	3
Cadmium copper		90	60	30	25	20	14	8	3	3	3
Magnesium		1500	1385	1220	915	610	14	8	3	3	3
Cadmium		1220	1065	915	915	760	14	8	6	3	3
Manganese		60	45	30	25	20	24	14	6	3	3
Nickel		55	40	30	25	20	18	14	6	3	3
Bdellium		55	45	40	35	25	18	14	6	3	3
Chrome		50	40	25	20	20	18	14	6	3	3
Silicon		55	30	30	20	20	18	14	6	3	3
Carbon (8~35)		1220	1065	915	765	610	10	6	3	3	3
Carbon (35~65)		615	245	90	45	20	14	10	6	3	3
Carbon (1008~1095)		60	45	30	25	20	24	14	6	3	3
Rubber		460	155	90	60	45	18	14	10	8	6
Plastics		1500	1065	765	550	455	10	8	3	3	3
Resimene		1500	1375	1065	915	765	10	8	6	3	3
Leather		1220	1065	915	855	795	14	10	6	4	3
Corkboard		1500	1375	1220	1065	915	18	14	8	6	3



---

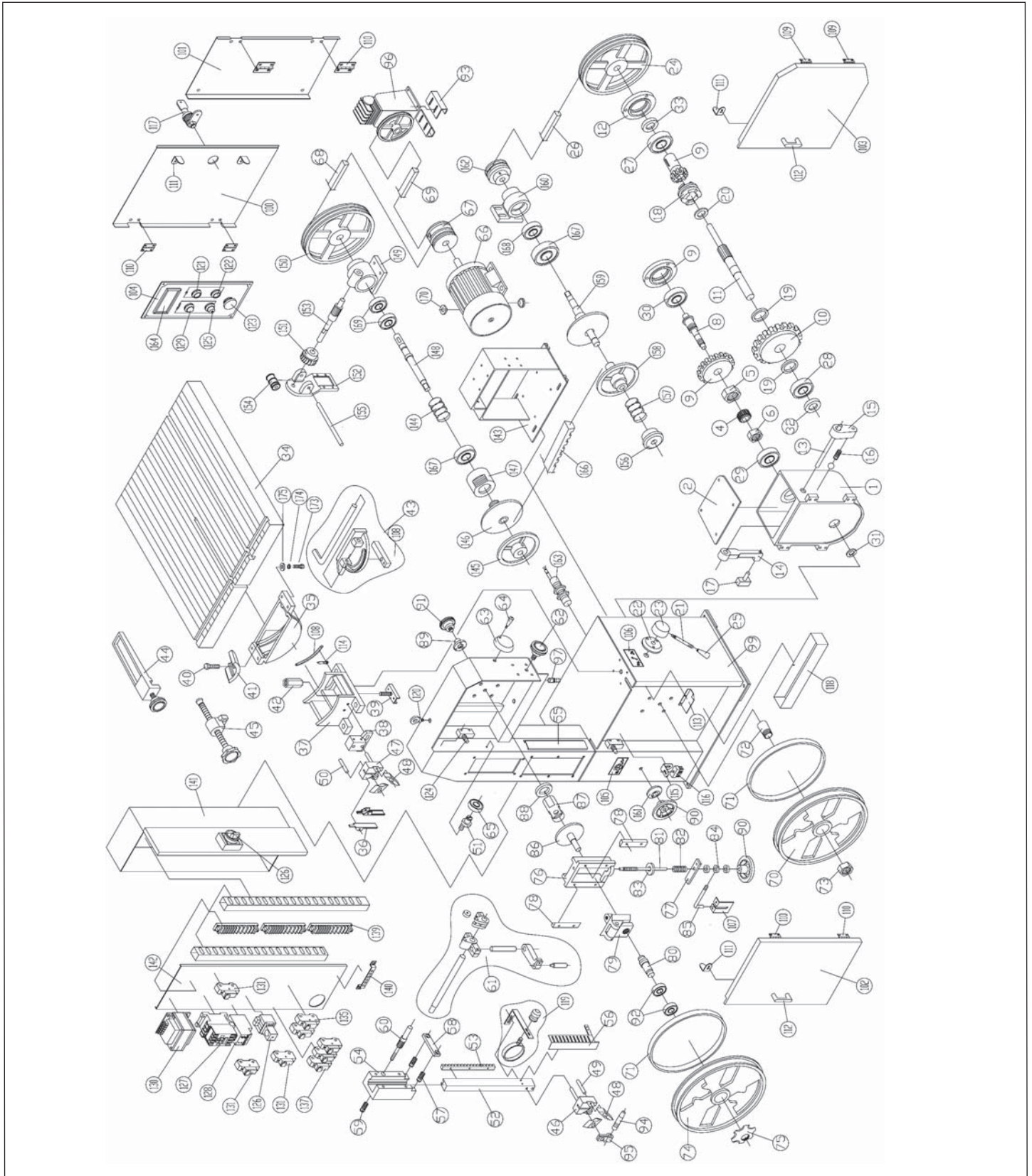
## **17.0 REPLACEMENT PARTS — EVBS 26**

Replacement parts are listed on the following pages.  
To order parts or reach our service department, call  
1-855-336-4032, Monday through Friday, 8:00 a.m. to 5:00  
p.m. CST. Having the Model Number and Serial Number  
of your machine available when you call will allow us to  
serve you  
quickly and accurately.

JET®  
427 New Sanford Road  
LaVergne, Tennessee 37086  
[www.jettools.com](http://www.jettools.com)  
Phone: 855-336-4032



**BREAKDOWN ASSEMBLY — EVBS-26**





## ASSEMBLY PARTS LIST — EVBS-26

Index No.	Part No.	Description	Size	Qty.
1	EVBS20-0500	Gear Box		1
2	EVBS20-0510	Gear Box Cover		1
3	EVBS20-0520	Gear		1
4	EVBS20-0521	Gear		1
5	EVBS20-0530	Screw Nut		1
6	EVBS20-0531	Screw Nut		1
7	EVBS20-0540	Gear		1
8	EVBS20-0550	Gear Shaft		1
9	EVBS20-0560	Shaft Cover		1
10	EVBS20-0570	Gear		1
11	EVBS26-0580	Main Shaft		1
12	EVBS20-0591	Main Shaft Cover		1
13	EVBS26-0600	Speed Changing Shaft		1
14	EVBS20-0610	Speed Changing Arm		1
15	EVBS20-0611	Shaft Stopper		1
16	EVBS20-0612	Spring		1
17	EVBS20-0620	Slide Block		1
18	EVBS20-0630	Crutch		1
19	EVBS20-0631	Brass Bracket		2
20	EVBS20-0632	Brass Bracket		1
21	EVBS20-0700	Speed Changing Lever		1
22	EVBS20-0740	Shaft Housing		1
23	EVBS20-0790	Speed Lever Right		1
24	EVBS20-7071	Pulley		1
25	EVBS20-9221	Lever Knob		1
26	VB-44	V-Belt, 7071+7300 (60hz)	A44	2
27	BB-6008	Ball Bearing	6008ZZ	1
28	BB-6206	Ball Bearing	6206ZZ	1
29	BB-6303	Ball Bearing	6203Z	1
30	BB-6304	Ball Bearing	6304Z	1
31	EVBS20-L4030	Oil Seal	7*30*40	1
32	EVBS20-L5230	Oil Seal	7*30*52	1
33	EVBS20-L5840	Oil Seal	8*40*58	1
34	EVBS26-1010	Work Table		1
	EVBS26-1010N	Work Table (s/n 13082623 and higher)		1
35	EVBS26-1020	Table Support Frame		1
36	EVBS20-1080	Blade Guard		4
37	EVBS26-1090	Table Support Housing		1
38	EVBS26-1100	Guide Support Housing		1
39	EVBS20-1120	Right-Handed Screw		1
40	EVBS20-1140	Left-Handed Screw		1
41	EVBS20-1150	Slider		1
42	EVBS20-1160	Table Tilt Adjust Screw		1
43	EVBS20-1500	Meter Gauge		1
44	EVBS20-1550	Rip Fence + Locker		1
45	EVBS20-1800	Feed Screw		1

Index No.	Part No.	Description	Size	Qty.
46	EVBS26-1311	Upper Guide Support, Upper		1
47	EVBS26-1312	Lower Guide Support, Lower		1
48	EVBS20-1320	Blade Guide		4
49	EVBS26-1331	Blade Stopper, Long		1
50	EVBS26-1332	Blade Stopper, Short		1
51	EVBS20-1333	Eccentric Shaft		1
52	EVBS26-1350	Blade Guide Post		1
53	EVBS26-1351	Gear Bar		1
54	EVBS26-1360	Guide Post Housing		1
55	EVBS26-1370	Blade Guard, Left		1
56	EVBS26-1380	Blade Guard, Right		1
57	EVBS26-1400	Spring		2
58	EVBS26-1410	Spring Housing		1
59	EVBS26-1440	Post Housing Spring		1
60	EVBS26-1450	Post Elevating Gear		1
61	EVBS26-1650	Circle Cutting Attachment		1
62	EVBS20-9017	Guide Post Locker		1
63	EVBS26-9033	Post Elevate Handwheel		1
64	EVBS26-9231	Handle Knob		1
65	BB-6201	Ball Bearing	6201ZZ	1
66	EVBS26-2000	Main Drive Motor	3HP,230/460V,3PH	1
67	EVBS26-2011	Motor Pulley		1
68	VB-43	V-Belt, 2011+7070	A43	2
69	VB-60	V-Belt, 2011+4450	A60	1
70	EVBS26-3010	Lower Wheel		1
71	EVBS26-3020	Rubber Tire		2
72	EVBS20-3030	Taper Sleeve		1
73	EVBS20-3040	Wheel Locking Nut		1
74	EVBS26-3050	Upper Wheel		1
75	EVBS20-3060	Upper Wheel Locker		1
76	EVBS20-3080	Slide Block Housing		1
77	EVBS20-3090	Slide Block Seat		1
78	EVBS20-3100	Slide Block Guide		2
79	EVBS20-3110A	Upper Wheel Slider		1
80	EVBS20-3116	Slider Screw Shaft		1
81	EVBS26-3120	Wheel Elevate Shaft		1
82	EVBS20-3121	Spring		1
83	EVBS20-3150	Washer		1
84	EVBS20-3180	Indicator Ring		3
85	EVBS20-3190	Tension Indicator		1
86	EVBS20-3200	Wheel Tilt Adjuster		1
87	EVBS20-3220	Wheel Tilt Connector		1
88	EVBS20-3240	Connector Washer		1
89	EVBS20-3251	Connector Housing		1
90	EVBS20-9031	Handwheel		2
91	EVBS20-9061	Tilt Adjust Handwheel		1
92	BB-6305	Ball Bearing	6305Z	2

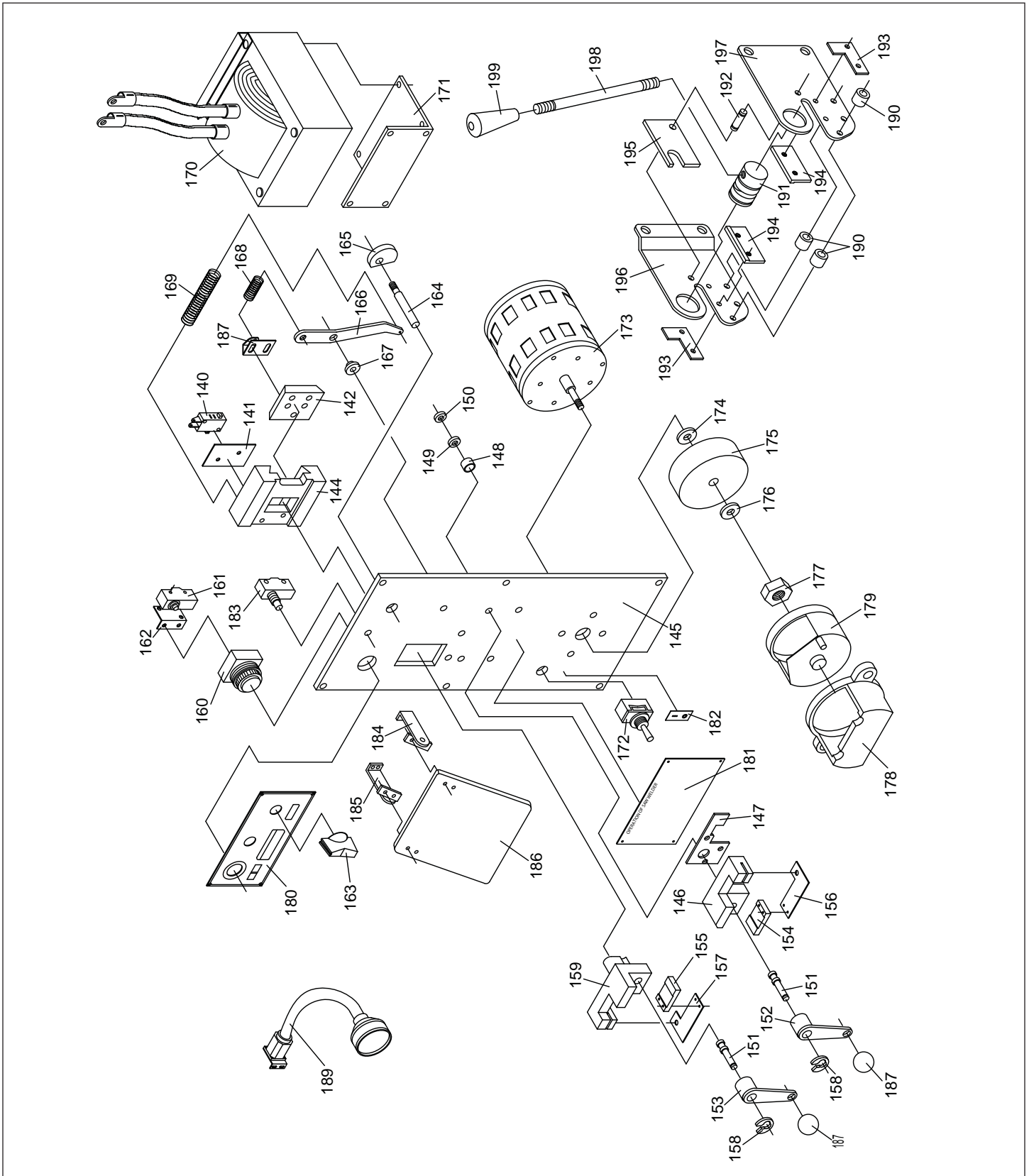


## ASSEMBLY PARTS LIST (CONT'D) — EVBS-26

Index No.	Part No.	Description	Size	Qty.
93	EVBS26-4060	Air Pump Seat		2
94	EVBS20-4170	Air Nozzle		1
95	EVBS20-4180	Air Nozzle Clipper		1
96	EVBS26-4450	Air Compressor		1
97	EVBS20-4490	Tube Connector		1
99	EVBS26-5000	Main Body		1
100	EVBS26-5100	Rear Door, Larger		1
101	EVBS26-5101	Rear Door, Smaller		1
102	EVBS26-5120	Lower Door		1
103	EVBS26-5140	Upper Door		1
104	EVBS26-8111	Control Plate		1
105	EVBS26-8372	Variator Instruction		1
106	EVBS20-8422	Gear Box Instruction		1
107	EVBS20-8712	Indicator Plate		1
108	EVBS26-8743	Tilt Instruction		1
109	EVBS20-9300	Upper Door Hinge		2
110	EVBS20-9310	Hinge		6
111	EVBS20-9500	Spring Plate		6
112	EVBS20-9591	Handle Arm		2
113	EVBS20-9600	Chip Stopper		1
114	EVBS20-9700	Indicate Middle		1
115	EVBS20-9780	Brusher Bracket		1
116	EVBS20-9790	Chip Brusher		1
117	EVBS20-9850	Key Of Rear Door		1
118	EVBS26-9880	Chip Collector		1
119	EVBS20-9900	Magnifying Glass		1
120	EVBS26-9999	Eye Bolt		1
121	EVBS26-6600	Push Button, On		1
122	EVBS20-6602	Push Button, Off		1
123	EVBS20-6610	Emergency Switch		1
124	EVBS20-6620	Limit Switch		2
125	EVBS20-6650	Key Switch		1
126	EVBS20-6700	Main Power Switch		1
127	EVBS20-6712	Magnetic Switch		1
128	EVBS26-6722	Overload Starter		1
129	EVBS20-6741	Pilot Lamp, Green		1
130	EVBS20-6745	Voltage Reducer		1
131	EVBS20-6752	10x38 Fuse Seat		3
132	EVBS20-6752-1	Fuse (Fu6)	4A	1
133	EVBS20-6752-2	Fuse (Fu7)	2A	1
134	EVBS20-6752-3	Fuse (Fu8)	1A	1
135	EVBS26-6753	10x38 Fuse Seat		1
136	EVBS26-6753-1	Fuse (Fu4,5)	1A	2
137	EVBS26-6754	10x38 Fuse Seat		1
138	EVBS26-6754-1	Fuse ( Fu1, 2,3)	20A	3

Index No.	Part No.	Description	Size	Qty.
139	EVBS20-6770	Wire Housing		3
140	EVBS20-6771	Ground Seat		1
141	EVBS26-6798	Electric Box		1
142	EVBS26-6799	Wiring Plate		1
143	EVBS26-7000	Motor Spring Housing		1
144	EVBS26-7010	Spring		1
145	EVBS26-7020	Variation Disk, Upper Outer		1
146	EVBS26-7030	Variation Disk, Upper Inner		1
147	EVBS26-7040	Variation Housing Tube		1
148	EVBS26-7050	Variation Shaft		1
149	EVBS26-7060	Variation Housing		1
150	EVBS26-7070	Pulley 9"		1
151	EVBS26-7080	Worm Gear		1
152	EVBS26-7090	Worm Gear Housing		1
153	EVBS26-7100	Gear Shaft		1
154	EVBS26-7110	Worm		1
155	EVBS26-7120	Whirling Arm		1
156	EVBS26-7200	Spring Housing		1
157	EVBS26-7210	Spring		1
158	EVBS26-7220	Variation Disk, Lower Outer		1
159	EVBS26-7230A	Variation Disk, Lower Inner		1
160	EVBS26-7260	Shaft Housing		1
161	EVBS26-7290	Speed Changing Wheel Seat		1
162	EVBS26-7300	Pulley		1
163	EVBS20-7310	Speed Readout Detector		1
164	EVBS20-7330	Digital Tachometer		1
166	VB-875	V-Belt	30 31 875	1
167	BB-6007	Ball Bearing	6007ZZ	2
168	BB-6204	Ball Bearing	6204Z	1
169	BB-6205	Ball Bearing	6205Z	2
170	EVBS26-2020	Motor Rotary Seat		4
171	EVBS26-171	Bi-metal blade (not shown) 1/4"x0.025"x185.5" (14/18VT)		1
172	EVBS26-172	Table insert (s/n 13082623 and higher)		1
173	TS-0060071	Hex Cap Screw	3/8-16x1-1/2	4
174	TS-0720091	Lock Washer	3/8	4
175	TS-0680041	Flat Washer	3/8	4

# WELDER COMPONENT ASSEMBLY — EVBS-26



## PARTS LIST WELDER COMPONENT — EVBS-26

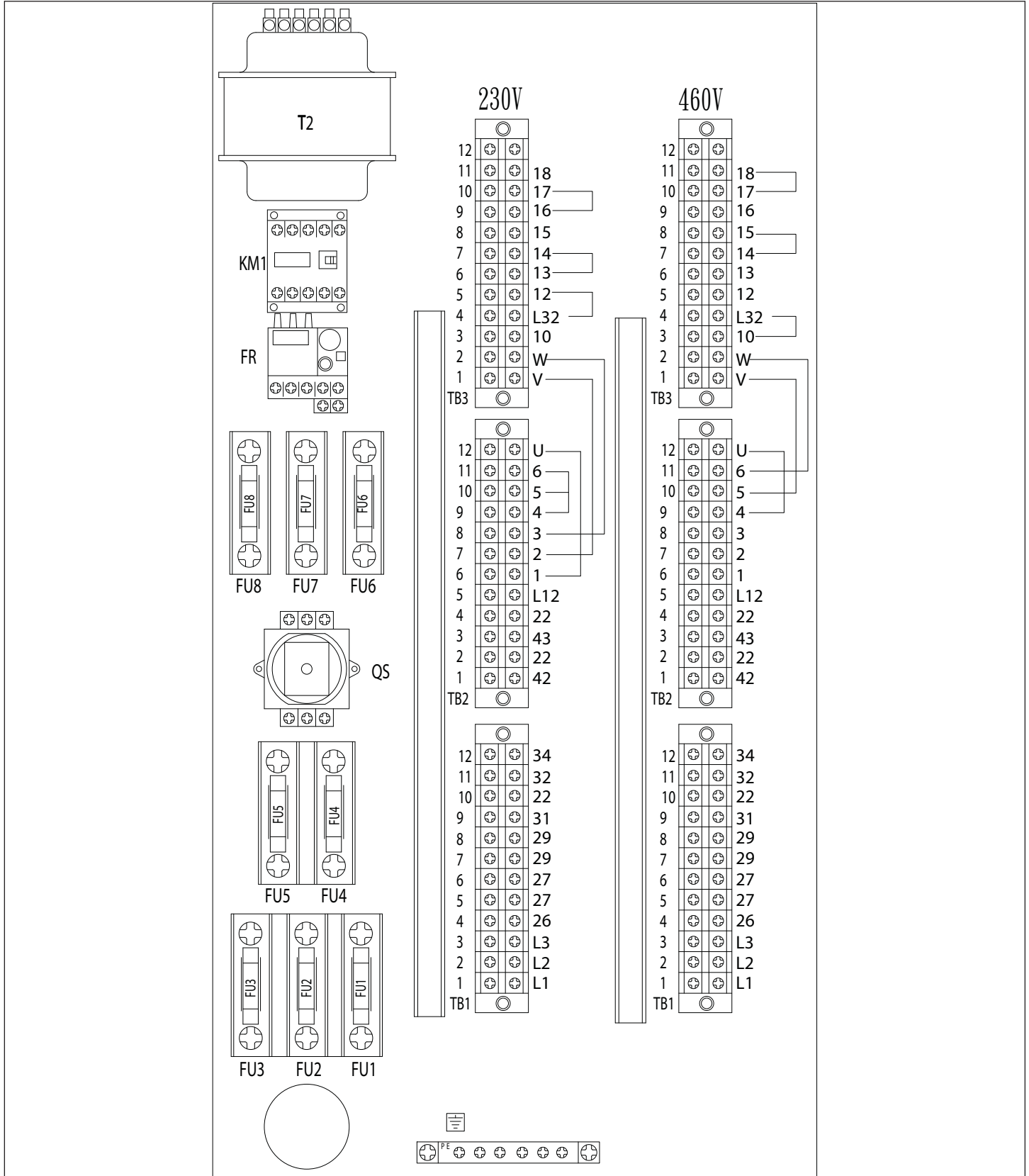
Index No.	Part No.	Description	Size	Qty.
140	EVBS20-601	Limit Switch		1
141	EVBS20-EV-6011	Insulator		1
142	EVBS20-EV-6020	Guide Block		1
143	EVBS20-EV-6021	Spring Bracket		1
144	EVBS20-EV-6030	Guide Casting		1
145	EVBS20-EV-6040	Housing		1
146	EVBS20-EV-6050	Stationary Jaw		1
147	EVBS20-EV-6051	Insulator		1
148	EVBS20-EV-6052	Insulating Tube		3
149	EVBS20-EV-6053	Washer, Insulate		3
150	EVBS20-EV-6054	Spacer		3
151	EVBS20-EV-6060	Eccentric Shaft		2
152	EVBS20-EV-6070	Clamp Lever, Right		1
153	EVBS20-EV-6071	Clamp Lever, Left		1
154	EVBS20-EV-6100	Clamp Support, Right		1
155	EVBS20-EV-6101	Clamp Support, Left		1
156	EVBS20-EV-6110	Clamp Plate, Right		1
157	EVBS20-EV-6111	Clamp Plate, Left		1
158	EVBS20-EV-6120	Cam		2
159	EVBS20-EV-6130	Moving Jaw		1
160	EVBS20-615	Weld Button		1
161	EVBS20-HV-6160	Micro Switch		1
162	EVBS20-EV-6161	Switch Bracket		1
163	EVBS20-EV-6170	Pressure Adjust Knob		1
164	EVBS20-EV-6180	Shaft		1
165	EVBS20-EV-6200	Cam		1
166	EVBS20-EV-6210	Weld Tension Arm		1
167	EVBS20-EV-6211	Bushing		1
168	EVBS20-EV-6220	Spring, Shorter		1
169	EVBS20-EV-6230	Spring, Longer		1
170	EVBS20-624	Transformer (4.2kVA)		1
171	EVBS20-HV-6241	Mounting Bracket (4.2kVA Only)		1
172	EVBS20-EV-6250	Switch		1
173	EVBS20-EV-6260	Grinder Motor		1
174	EVBS20-EV-6270	Spacer		1
175	EVBS20-EV-6280	Grinder Wheel		1
176	TS-0680021	1/4" Washer, Flat		1
177	TS-1540041	6 Mm-1.0 Hex Nut		1
178	EVBS20-629	Grinder Guard		1
179	EVBS20-EV-6291	Grinder Cover		1
180	EVBS20-HV-6331	Welder Name Plate		1
181	EVBS20-HV-6341	Instruction Label		1
182	EVBS20-HV-6351	Grinder Label		1
183	EVBS20-HV-6420	Anneal Button		1
184	EVBS20-HV-6450	Deflector Bracket, Right		1
185	EVBS20-HV-6451	Deflector Bracket, Left		1



Index No.	Part No.	Description	Size	Qty.
186	EVBS20-HV-6460	Spark Deflector		1
187	EVBS20-HV-9291	Knob		2
188	EVBS20-WCP	Welder Assembly Complete		
189	EVBS20-WL	Work Lamp Component	110V/12V/20W	1
190	EVBS20-EV-1910	Spindle Bushing		3
191	EVBS20-EV-1920	Spindle Lift		1
192	EVBS20-EV-1930	Blade Shaft		1
193	EVBS20-EV-1940	Vaned Iron Plate		2
194	EVBS20-EV-1950	Lower Blade		2
195	EVBS20-EV-1960	Upper Blade		1
196	EVBS20-EV-1970	Joint Plate, Left		1
197	EVBS20-EV-1980	Chain Joint, Right		1
198	EVBS20-EV-1990	Handle Bar		1
199	EVBS20-EV-9211	Knob		1
200	EVBS20-SCP	Shear Assembly Complete		1

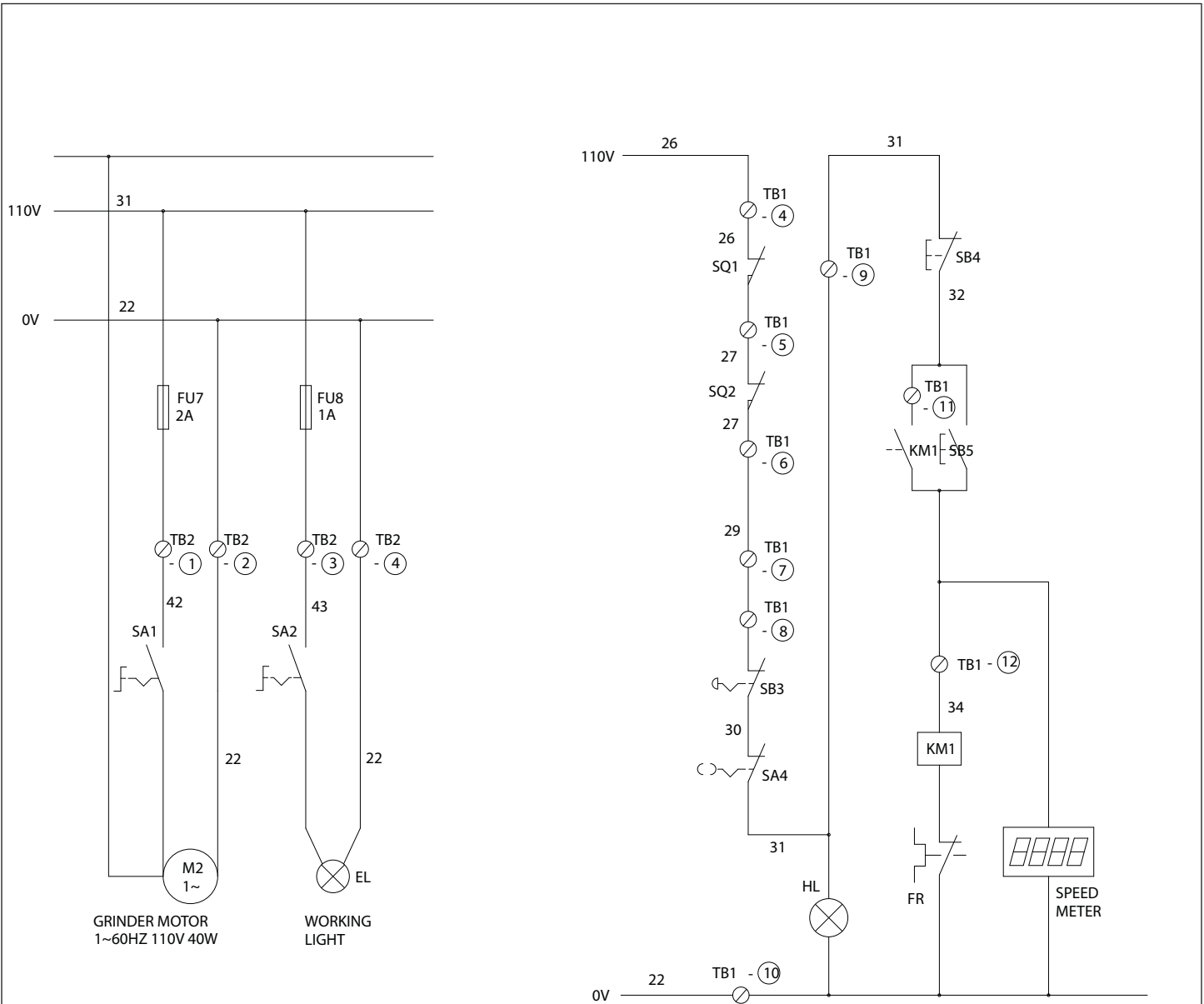


## 18.0 ELECTRICAL CONNECTIONS — EVBS-26





# WIRING DIAGRAM



SB1	WELD ON	WHITE	SA4	KEY SWITCH		KM1	CONTACTOR
SB2	ANNEAL ON	GREEN	HL	INDICTOR LIGHT		FR	OVERLOAD RELAY
SB3	EMERGENCY STOP	RED	EL	LAMP	20W, 115V	T1	TRANSFORMER
SB4	MAIN MOTOR OFF	RED	QS	MAIN SWITCH		T2	TRANSFORMER
SB5	MAIN MOTOR ON	GREEN	SQ1	SAFETY SWITCH		FU	FUSE
SA1	GRINDER MOTOR ON		SQ2	SAFETY SWITCH			
SA2	WORK LAMP ON	BLACK	SQ3	WELD AUTO STOP			



## NOTES