



## OWNER'S MANUAL DSL-770 Double Scissor Lift Table



**JET EQUIPMENT & TOOLS, INC.**  
A WMH Company  
[www.jettools.com](http://www.jettools.com)

P.O. BOX 1349  
Auburn, WA 98071-1349  
e-mail [jet@jettools.com](mailto:jet@jettools.com)

Phone: 253-351-6000  
Fax: 1-800-274-6840  
**M-140778 5/01**

# Important Information

**1-YEAR  
LIMITED WARRANTY**

**JET offers a one-year limited  
warranty on this product**

## REPLACEMENT PARTS

Replacement parts for this tool are available directly from JET Equipment & Tools. To place an order, call 1-800-274-6848. Please have the following information ready:

1. Visa, MasterCard, or Discover Card number
2. Expiration date
3. Part number listed within this manual
4. Shipping address other than a Post Office box.

## REPLACEMENT PART WARRANTY

JET Equipment & Tools makes every effort to assure that parts meet high quality and durability standards and warrants to the original retail consumer/purchaser of our parts that each such part(s) to be free from defects in materials and workmanship for a period of thirty (30) days from the date of purchase.

## PROOF OF PURCHASE

Please retain your dated sales receipt as proof of purchase to validate the warranty period.

## LIMITED TOOL AND EQUIPMENT WARRANTY

JET makes every effort to assure that its products meet high quality and durability standards and warrants to the original retail consumer/purchaser of our products that each product be free from defects in materials and workmanship as follows: 1 YEAR LIMITED WARRANTY ON THIS JET PRODUCT. Warranty does not apply to defects due directly or indirectly to misuse, abuse, negligence or accidents, repairs or alterations outside our facilities or to a lack of maintenance. JET LIMITS ALL IMPLIED WARRANTIES TO THE PERIOD SPECIFIED ABOVE FROM THE DATE THE PRODUCT WAS PURCHASED AT RETAIL. EXCEPT AS STATED HEREIN, ANY IMPLIED WARRANTIES OR MERCHANTABILITY AND FITNESS ARE EXCLUDED. SOME STATES DO NOT ALLOW LIMITATIONS ON HOW LONG THE IMPLIED WARRANTY LASTS, SO THE ABOVE LIMITATION MAY NOT APPLY TO YOU. JET SHALL IN NO EVENT BE LIABLE FOR DEATH, INJURIES TO PERSONS OR PROPERTY OR FOR INCIDENTAL, CONTINGENT, SPECIAL OR CONSEQUENTIAL DAMAGES ARISING FROM THE USE OF OUR PRODUCTS. SOME STATES DO NOT ALLOW THE EXCLUSION OR LIMITATION OF INCIDENTAL OR CONSEQUENTIAL DAMAGES, SO THE ABOVE LIMITATION OR EXCLUSION MAY NOT APPLY TO YOU. To take advantage of this warranty, the product or part must be returned for examination, postage prepaid, to an authorized service station designated by our Auburn office. Proof of purchase date and an explanation of the complaint must accompany the merchandise. If our inspection discloses a defect, JET will either repair or replace the product or refund the purchase price, if we cannot readily and quickly provide a repair or replacement, if you are willing to accept such refund. JET will return repaired product or replacement at JET's expense, but if it is determined there is no defect, or that the defect resulted from causes not within the scope of JET's warranty, then the user must bear the cost of storing and returning the product. This warranty gives you specific legal rights, and you have other rights, which vary, from state to state.

**JET Equipment & Tools • P.O. Box 1349, Auburn, WA 98071-1349 • (253) 351-6000**

## ⚠ WARNING

1. Read and understand the owner's manual before assembly and operation.
2. Do not load scissor lift beyond its rated capacity.
3. Do not allow people to sit or ride on scissor lift.
4. Secure load before raising or moving scissor lift.
5. Do not transport loads in the raised position.
6. Use only on smooth finished floors.
7. Pull release lever slowly to allow load to descend in a controlled manner.
8. Keep hands and feet clear of table when lowering load.
9. Failure to comply with the above warnings may result in personal injury and/or property damage.

### Specifications:

**DSL7-770**

Stock Number.....	140778
Capacity (lbs.) .....	770
Table Size L x W (in.).....	35-5/8 x 20-1/8
Maximum Height (in.) .....	51-1/8
Minimum Height (in.) .....	13-9/16
Strokes to Reach Max. Height .....	~21
Overall Size L x W x H (in.) .....	45-3/4 x 20-1/8 x 37-1/4
Net Weight (lbs.).....	226
Shipping Weight (lbs.) .....	235

### Assembly

1. Attach the handle (A, Fig. 1) to the frame using two hex cap bolts, two lock washers, two flat washers. Tighten with a 19mm wrench.

**Note:** The two rear casters can be locked so they do not rotate. Press foot lever (B, Fig. 1).

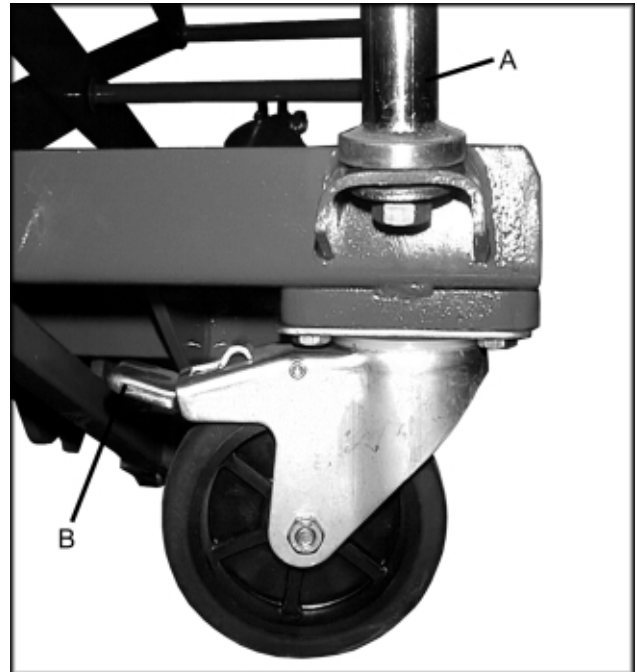


Fig. 1

2. Attach foot lever (A, Fig. 2) to the lever bracket (B, Fig. 2) with one hex cap bolt, one flat washer, one lock washer (C, Fig. 2). Tighten with a 14mm wrench.

**⚠ WARNING**  
**Keep hands and feet clear of table and scissor lift openings while lowering load. Failure to comply may cause serious injury!**

3. Pump the foot lever several cycles so that the table is out of your way while attaching the cable.

**Note:** Place a 2" x 4" board straight up and down between the table and frame so that the table can not come down on you while attaching the cable.

4. Route the cable (A, Fig. 3) into the cable nut (B, Fig. 3). Run the cable through the lowering mechanism (C, Fig. 3) and pull the cable tight. Tighten the hex nut (D, Fig. 3) using a 14mm wrench.

**Note:** You may have to turn the hex socket cap screw to line up the hole. This will allow the cable to pass through freely.

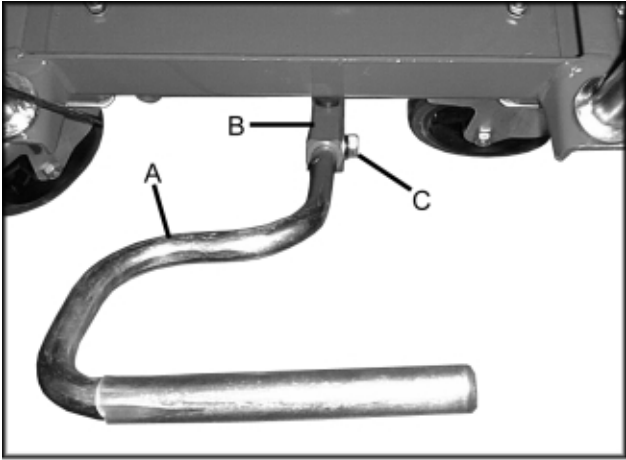


Fig. 2

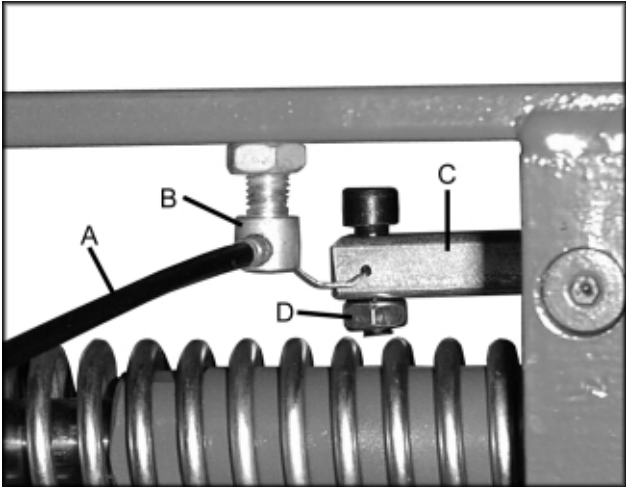


Fig. 3

### Operation

1. The table can be raised by pumping the foot lever.
2. To lower the table, slowly pull the release lever.
3. Before loading, lock the caster brake.

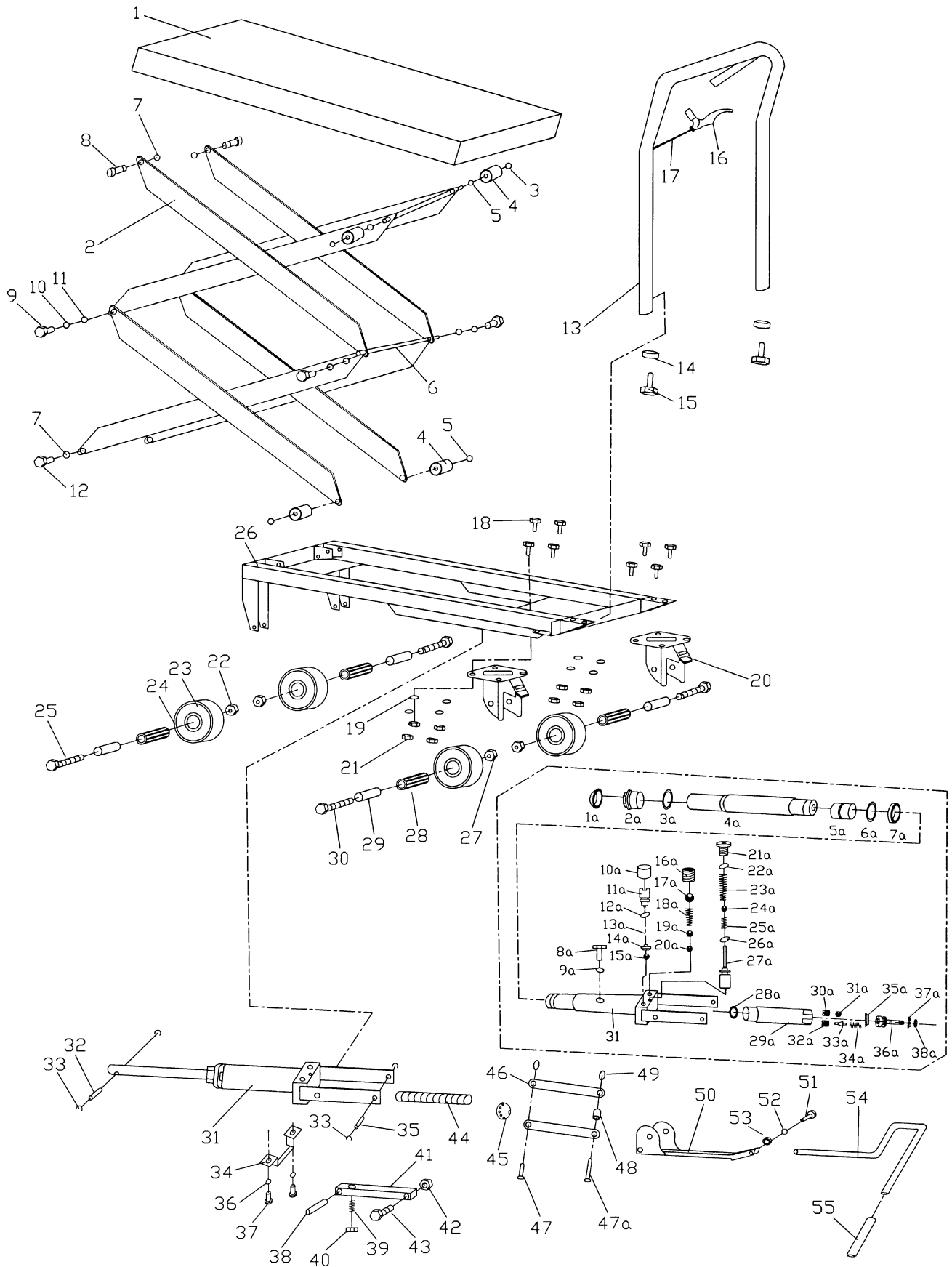
### Maintenance

1. Lubricate each friction point monthly with #2 tube grease.
2. Check the movement and wear of wheels.
3. Check for oil leakage from the hydraulic cylinder.
4. Store with table in lowered position.

## Trouble Shooting

Trouble	Cause	Action
Table will not raise.	<p>No oil in reservoir.</p> <p>Lowering valve or steel ball is not seating.</p> <p>Steel ball is not seating.</p> <p>Relief valve is not adjusted properly</p>	<p>Replenish reservoir.</p> <p>Clean lowering valve or steel ball or replace.</p> <p>Clean or replace steel ball.</p> <p>Reload truck within load capacity and adjust valve by pressure relief adjusting screw (#12a)</p>
Table will not remain elevated.	<p>Lowering valve or steel ball is not seating.</p> <p>Oil seal or U-packing is worn out.</p>	<p>Clean or replace lowering valve or steel ball.</p> <p>Replace oil seal or U-packing.</p>
Table will not lower.	<p>U packing is worn out.</p> <p>Lowering valve plug #16A is clogged.</p>	<p>Replace U-packing.</p> <p>Replace lowering valve plug.</p>
Oil leaks from lowering valve.	O-ring is worn out.	Replace o-ring.
Oil leaks from pump cylinder.	Oil seal or U-packing worn out.	Replace oil seal or U-packing

# Parts Breakdown



## Parts List for the DSLT-770 Hydraulic Scissor Lift

Index No.	Part No.	Description	Size	Qty.
1	DSL770-1	Table		1
2	DSL770-2	Link Assembly		1
3	DSL770-3	C-Ring	Ø16	2
4	DSL770-4	Roller Guide		4
5	TS-2360141	Flat Washer	M16	2
6	DSL770-6	Shaft		2
7	DSL770-7	C-Ring	Ø16	2
8	DSL770-8	Link Shaft		2
9	DSL770-9	Cap Screw	M8x16	4
10	DSL770-10	Bushing		4
11	TS-2360241	Flat Washer	M24	4
12	DSL770-12	Link Shaft	Ø 20	2
13	DSL770-13	Handle		1
14	DSL770-14	Washer	Ø38x5	2
15	TS-1492011	Cap Screw	M12x25	2
16	DSL770-16	Release Lever		1
17	DSL770-17	Cable		1
18	TS-1490031	Cap Screw	M8x20	8
19	TS-1551051	Lock Washer	M8	8
20	DSL770-20	Wheel Caster Assembly (incls: 20, 23, 24, 28, 29)		2
21	TS-1540061	Hex Nut	M8	8
22	TS-1541031	Nyloc Lock Nut	M8	2
23	DSL770-23	Wheel Assembly (incls: 23, 24, 28, 29)		4
24	DSL770-24	Dust Cover		2
25	TS-1490151	Cap Screw	M8x80	2
26	DSL770-26	Frame		1
27	TS-1540061	Hex Nut	M8	2
28	DSL770-28	Bearing	Ø19xØ 12x36	4
29	DSL770-29	Bushing	Ø12xØ8.5x42	4
30	TS-1490111	Cap Screw	M8x60	2
31	DSL770-31	Cylinder Assembly		1
32	DSL770-32	Lock Pin		1
33	DSL770-33	C-Ring	Ø20	4
34	DSL770-34	Fix Seat		1
35	DSL770-35	Lock Pin		1
36	TS-1550031	Flat Washer	M5	2
37	TS-1481041	Cap Screw	M5x16	2
38	DSL770-38	Spring Pin		1
39	DSL770-39	Nut	M8	1
40	DSL770-40	Socket Set Screw	M8x30	1
41	DSL770-41	Fixed Board		1
42	DSL770-42	Nut	M8	1
43	DSL770-43	Adjusting Screw	M8x30	1
44	DSL770-44	Spring		1
45	DSL770-45	Spring Cover		1
46	DSL770-46	Slide Lever		2
47	DSL770-47	Lock Pin		1
47a	DSL770-47a	Lock Pin		1
48	DSL770-48	Bushing		1
49	DSL770-49	C-ring	Ø10	2
50	DSL770-50	Lever Bracket		1
51	TS-1490041	Cap Screw	M8x25	1

Index No.	Part No.	Description	Size	Qty.
52	TS-1550061	Flat Washer	M8	1
53	TS-1540061	Hex Cap Nut	M8	1
54	DSL770-54	Foot Lever		1
55	DSL770-55	Foot Lever Pad		1

### Cylinder Assembly

Index No.	Part No.	Description	Size	Qty.
1A	DSLT770-1A	Oil Seal*	Ø30	1
2A	DSLT770-2A	Top Nut	M90x46	1
3A	DSLT770-3A	O-Ring*	Ø36x3.5	1
4A	DSLT770-4A	Lift Piston		1
5A	DSLT770-5A	Piston Bushing		1
6A	DSLT770-6A	O-Ring*		1
7A	DSLT770-7A	U-packing*	D50	1
8A	DSLT770-8A	Air Beather		1
9A	DSLT770-9A	O-Ring*	Ø11x1.9	1
10A	DSLT770-10A	Relief Plug		1
11A	DSLT770-9A	O-Ring*	Ø11x1.9	1
12A	DSLT770-12A	Relief Adjusting Screw		1
13A	DSLT770-13A	Relief Spring		1
14A	DSLT770-14A	Steel Ball Support		1
15A	SB-5MM	Steel Ball	Ø5	1
16A	DSLT770-16A	Valve Plug		1
17A	SB-12MM	Steel Ball	Ø12	1
18A	DSLT770-18A	Valve Spring		1
19A	SB-9MM	Steel Ball	Ø9	1
20A	SB-6.5MM	Steel Ball	Ø6.5	1
21A	DSLT770-21A	Screw		1
22A	DSLT770-22A	O-Ring*	Ø14x2.4	1
23A	DSLT770-23A	Spring		1
24A	SB-6.5MM	Steel Ball	Ø6.5	1
25A	DSLT770-25A	Spring		1
26A	DSLT770-26A	O-Ring*	Ø10x1.9	1
27A	DSLT770-27A	Valve Plug		1
28A	DSLT770-28A	O-Ring*	Ø34x2	1
29A	DSLT770-29A	Pump Cylinder		1
30A	DSLT770-30A	Screw		1
31A	SB-5MM	Steel Ball	Ø5	1
32A	DSLT770-32A	Screw		1
33A	DSLT770-33A	Valve Plug		1
34A	DSLT770-34A	Spring		1
35A	DSLT770-35A	Oil Seal*	UHS23.5	1
36A	DSLT770-36A	Pump Piston		1
37A	DSLT770-37A	Oil Seal*	UHS18	1
38A	DSLT770-38A	U-packing*	DH18	1
	DSLT770-RK	Repair Kit		1
	DSLT770-31	Cylinder Assembly		1

\* Repair Kit Includes: 1a, 3a, 6a, 7a, 9a, 11a, 22a, 26a, 28a, 35a, 37a, 38a





## TEST CERTIFICATE

COMMODITY	Double Scissor Lift Table
MODEL	DSLT-770
SERIAL NO.	
CAPACITY	770 lbs
TEST LOAD	lbs
DATE OF INSPECTION	
JUDGEMENT	<b>PASSED</b>
INSPECTOR	

**JET EQUIPMENT & TOOLS, INC.**  
A WMH Company  
www.jettools.com

P.O. BOX 1349  
Auburn, WA 98071-1349  
e-mail jet@jettools.com

Phone:253-351-6000  
Fax: 1-800-274-6840