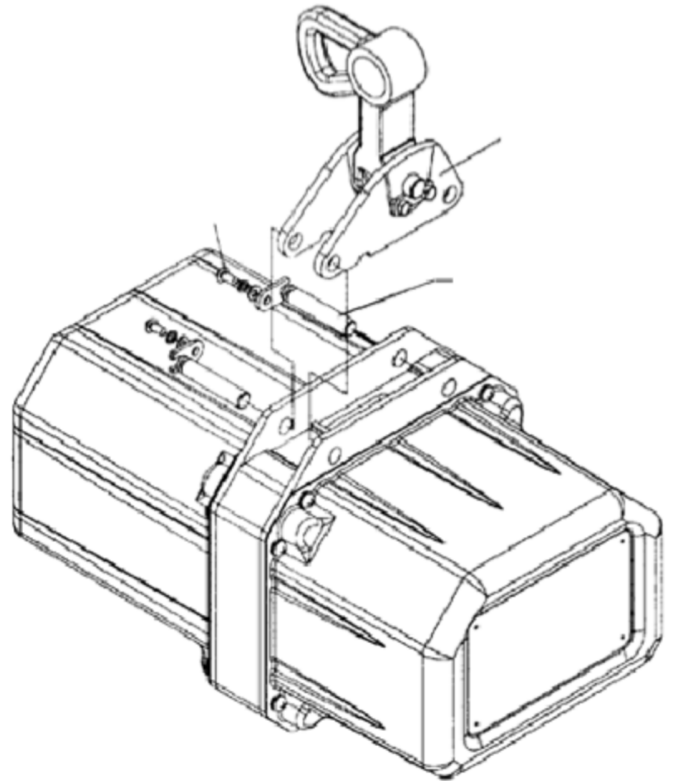




1/2-Ton Lug Mount Assembly for Electric Hoist

Product Images



Short Description

Lug mount assembly kits are easily installed and reduce the overall headroom of the SSC Series Electric Hoists and ET Series electric trolleys.

Additional Information

Stock Number	1/2SS-3C-LMA
Bullets	All steel construction for increased durability, Easily installed on SSC Series Electric Hoists, For use with SSC Series hoists and ET Series trolleys only, Increases stability of hoist and trolley combinations, Reduces headroom of electric hoist and trolley combinations up to 7 inches, Uses existing hoist hanger included with electric trolley
Load Capacity (Tons)	1/2
Prop 65	None
Reduced Headroom (In.)	5

