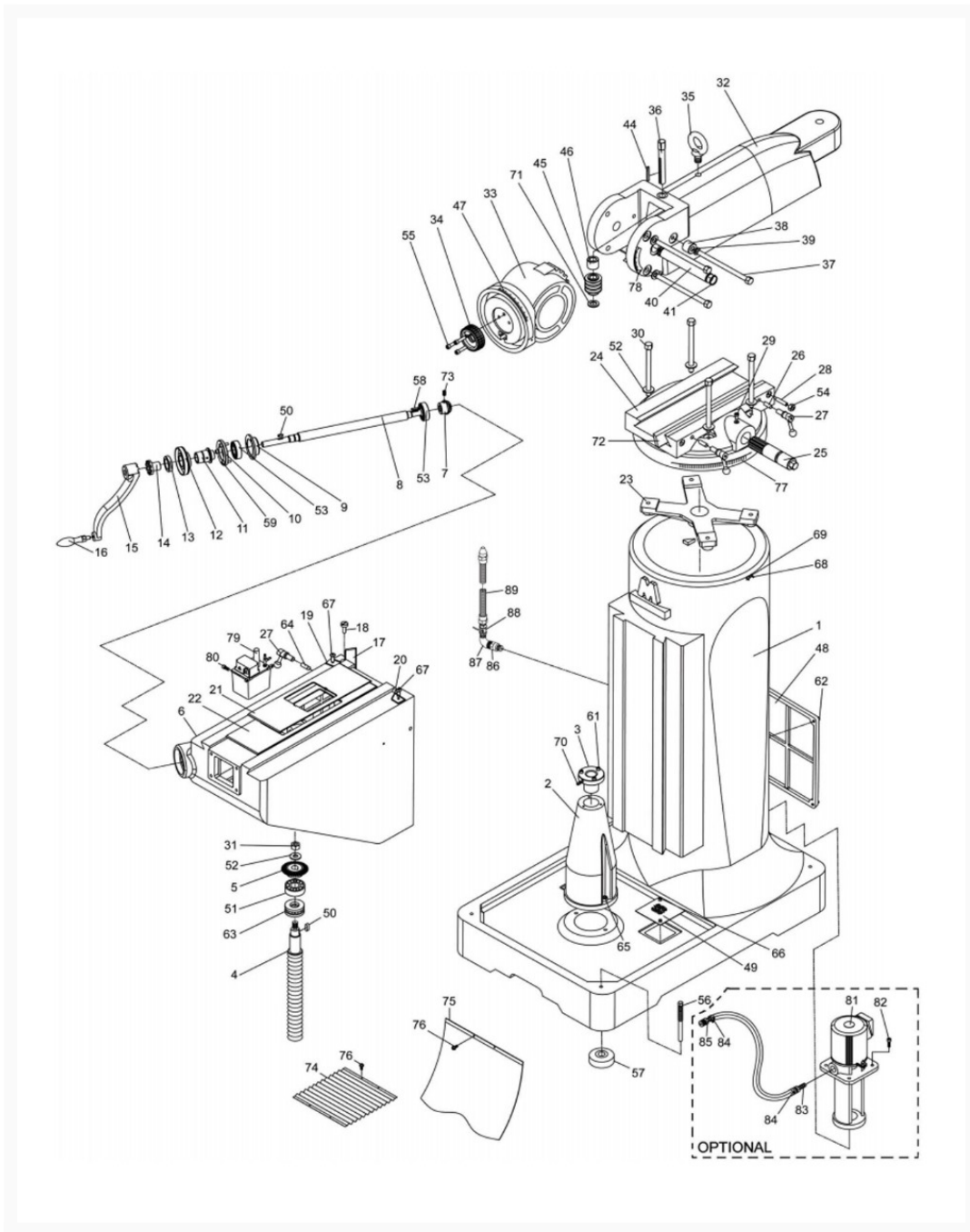




ETM-949 Base Assembly

Product Images



Additional Information

Stock Number

894010-2

Products in this set

