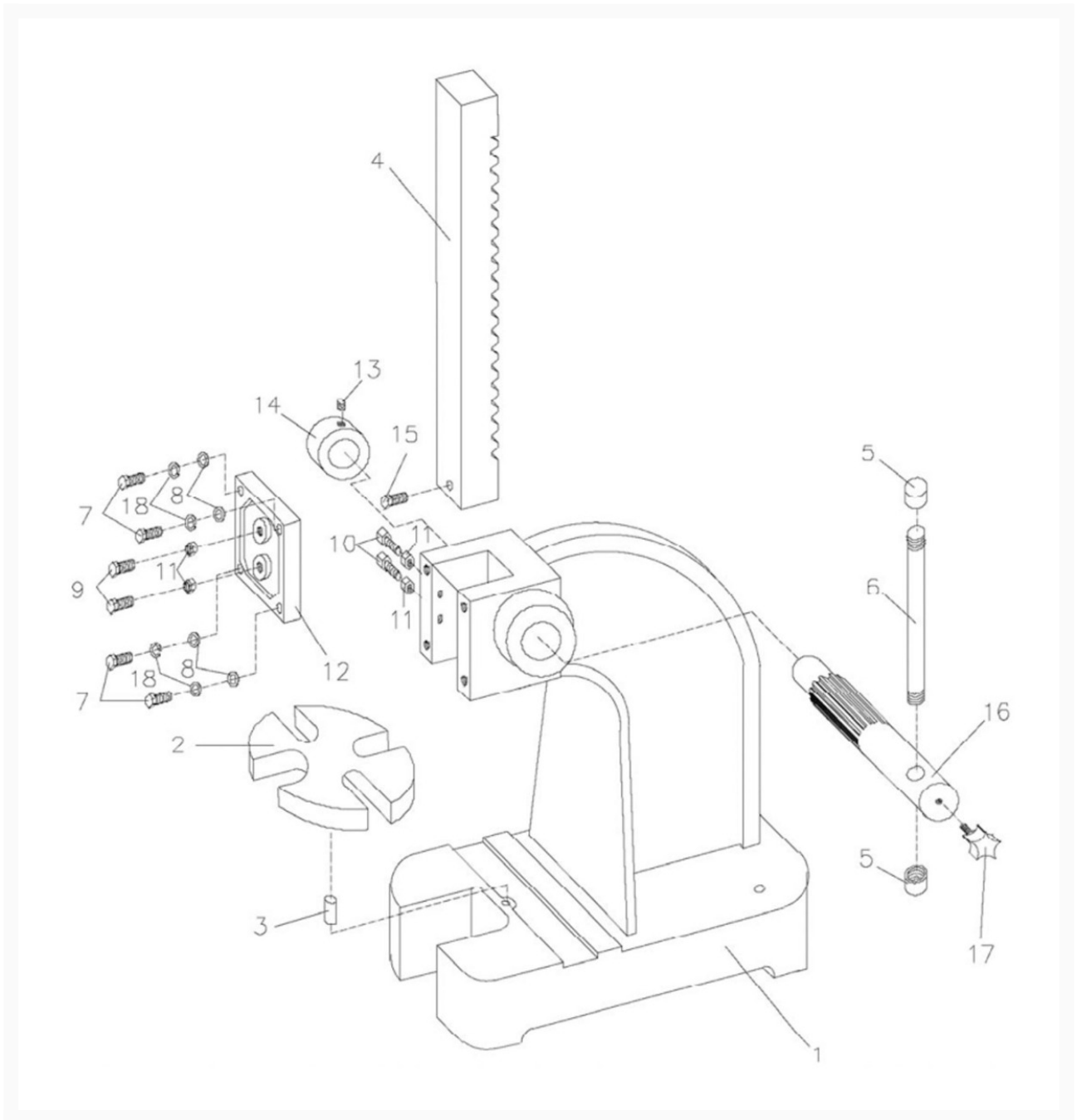




# AP2-M Complete Machine

## Product Images



## Additional Information

---

Stock Number

333620-1

## Products in this set

---

