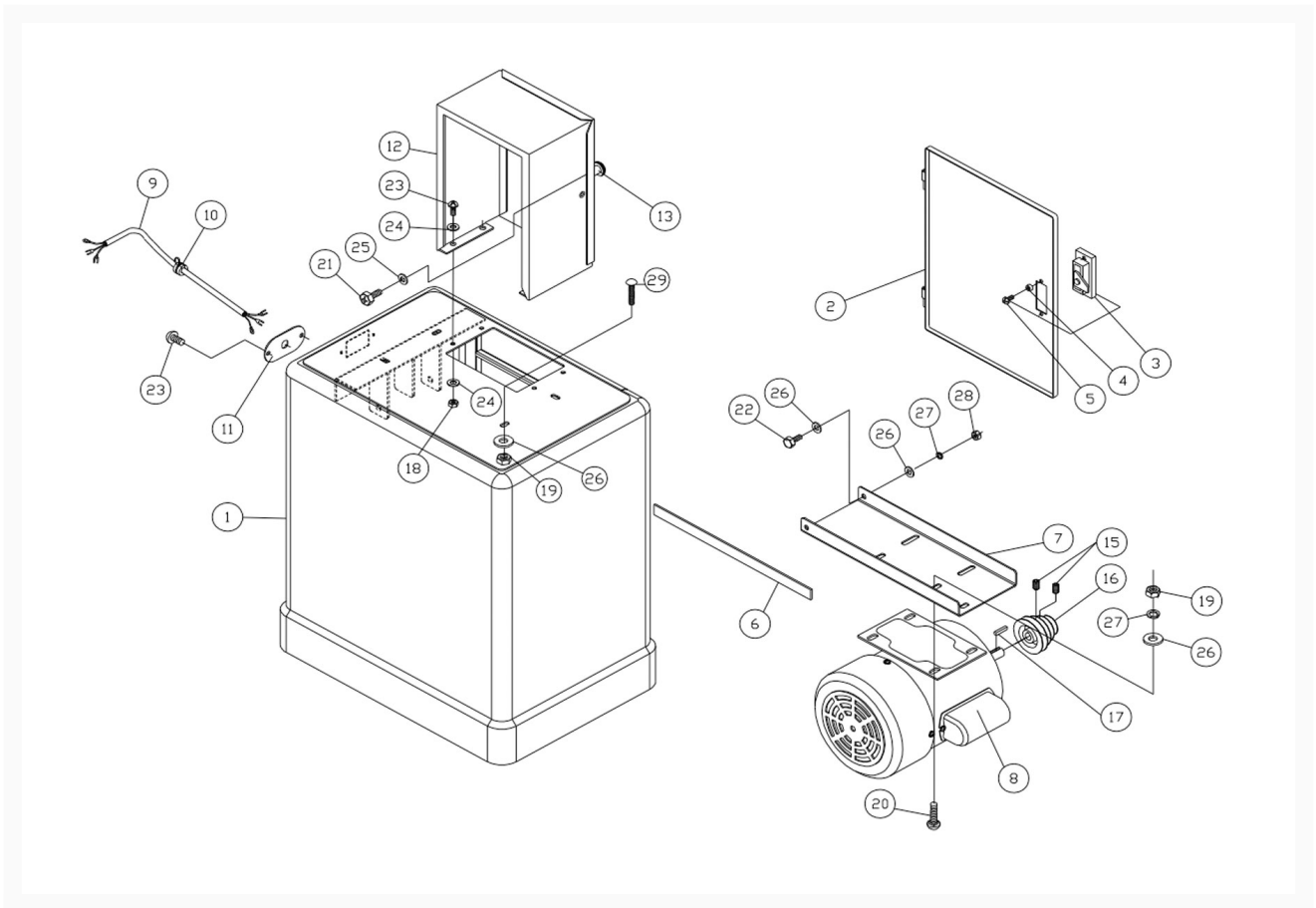




# J-8201K Base Assembly

## Product Images



## Additional Information

Stock Number

414500-1

## Products in this set

