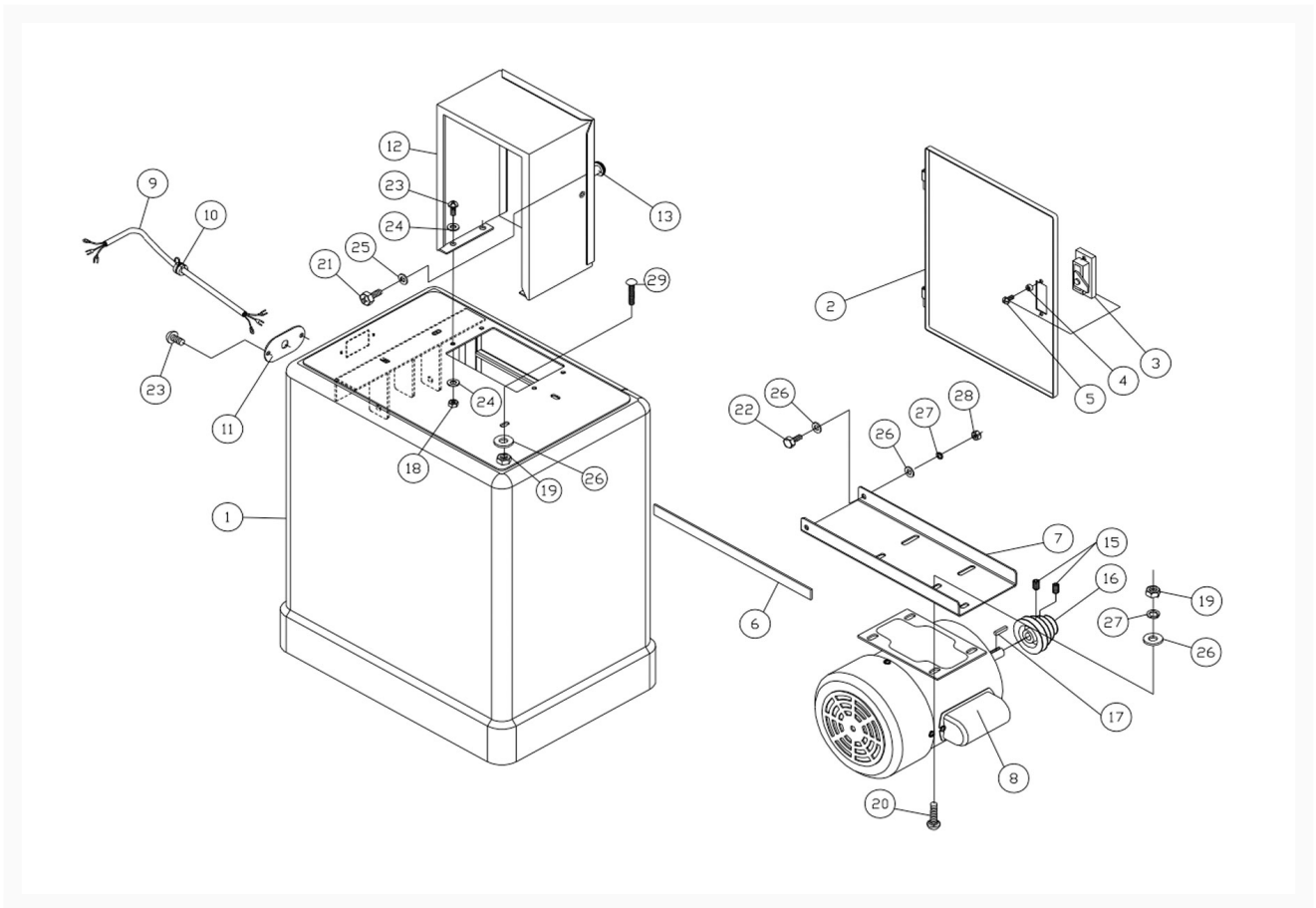




J-8203K Base Assembly

Product Images



Additional Information

Stock Number

414504C-1

Products in this set

