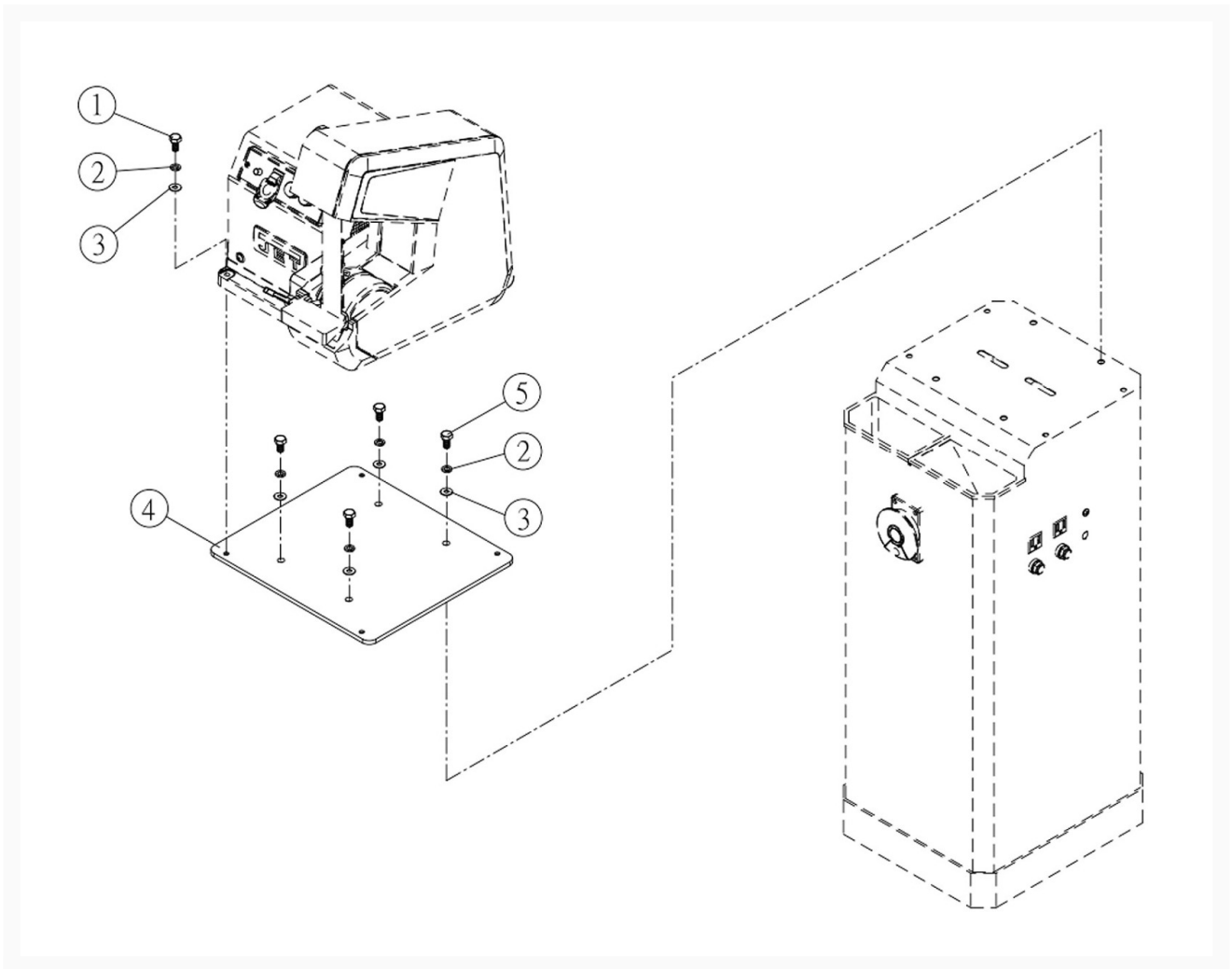




BGB-260-1 Adaptor Plate Assembly

Product Images



Additional Information

Stock Number

577150-3

Products in this set

