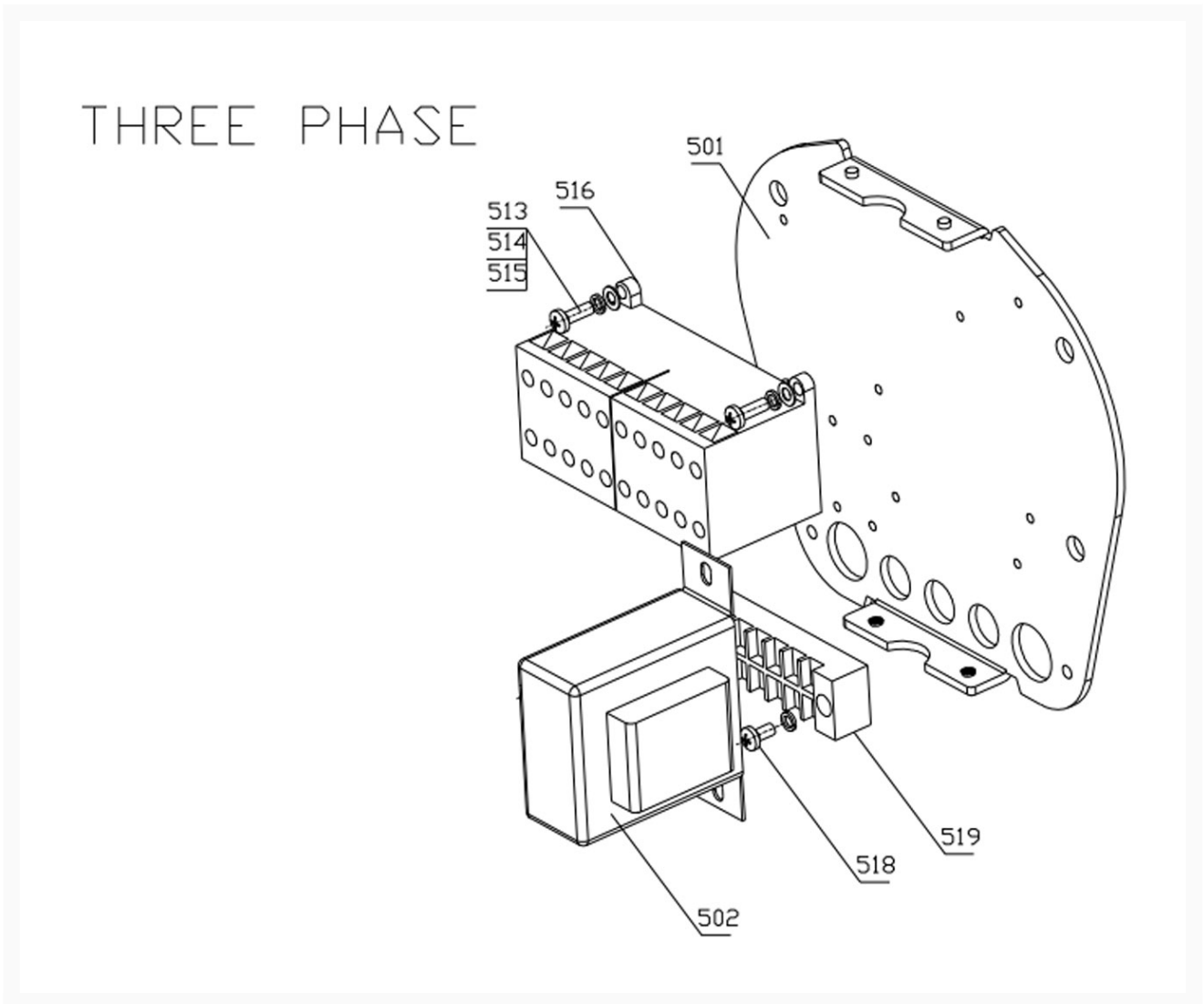




# ET-C 3PH Electrical Components

## Product Images

---



## Additional Information

---

Stock Number

262610-3

## Products in this set

---

