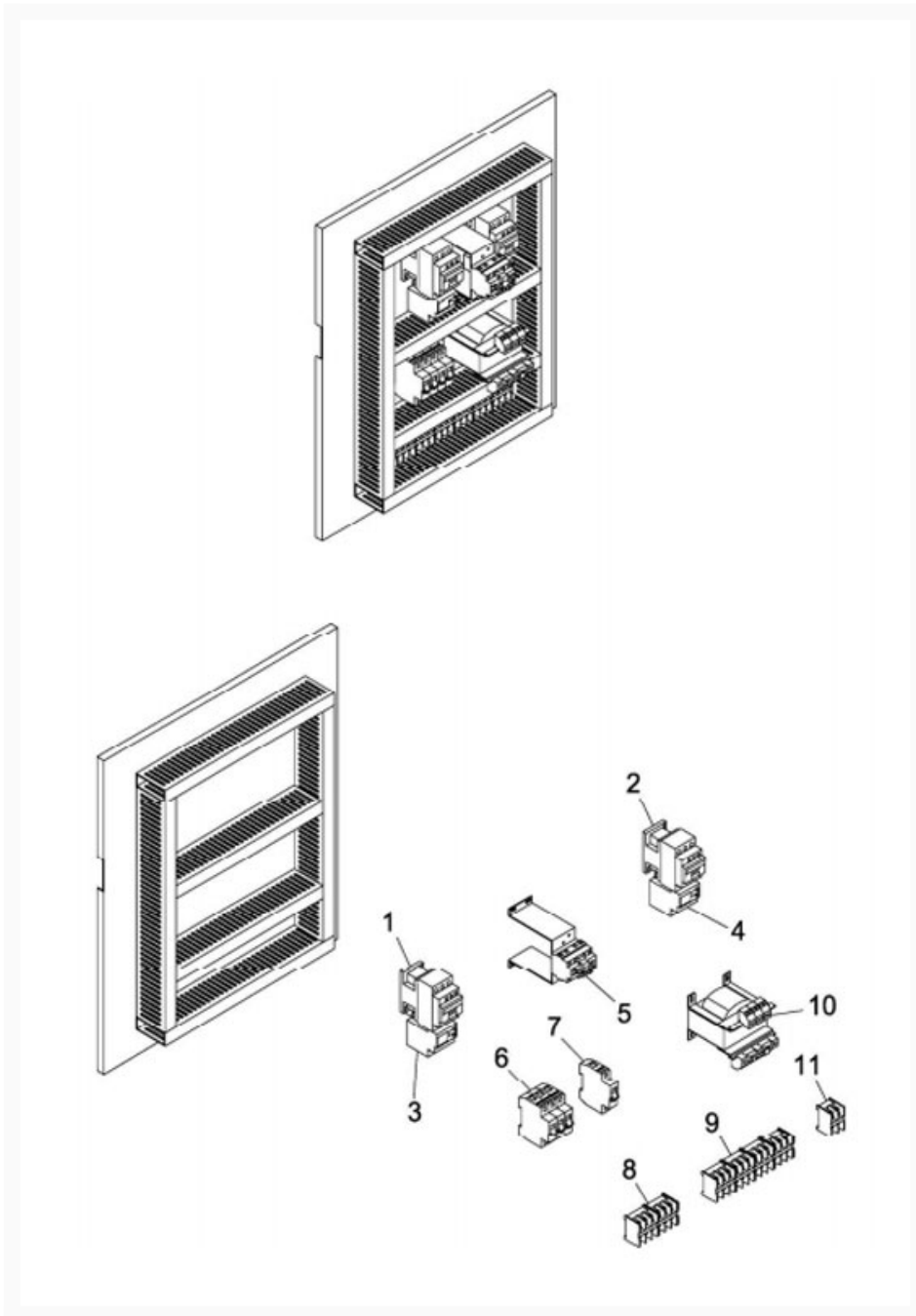




EGH-2180 Electrical Box Assembly

Product Images



Additional Information

Stock Number

892250-17

Products in this set

