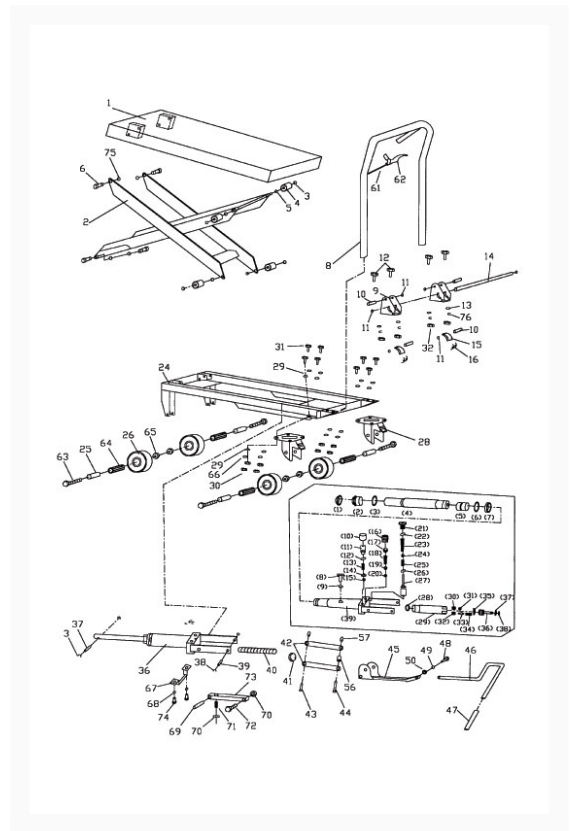




SLT-660F, Scissor Lift Table With Folding Handle

Product Images



Short Description

SLT-660F, Folding Handle, Quick-Lift Pump, 660-lb. Capacity

Additional Information

Stock Number	JT9-140777
Capacity (Lbs.)	660
Handle Height (In.)	40
Maximum Height (In.)	32-3/8
Minimum Height (In.)	10-5/8
Model Number	SLT-660F
Number of Strokes to Reach Maximum Height	13
Overall Dimensions (L x W x H) (In.)	42-1/2 x 19-5/8
Prop 65	Cancer and Reproductive Harm
Table Size (L x W) (In.)	32-1/2 x 19-5/8
Warranty	2 Year
Weight (Lbs.)	161
Wheel Diameter (In.)	5
Gross Weight	165.0
Overall Dimensions (L x W / in.)	42-1/2 x 19-5/8



