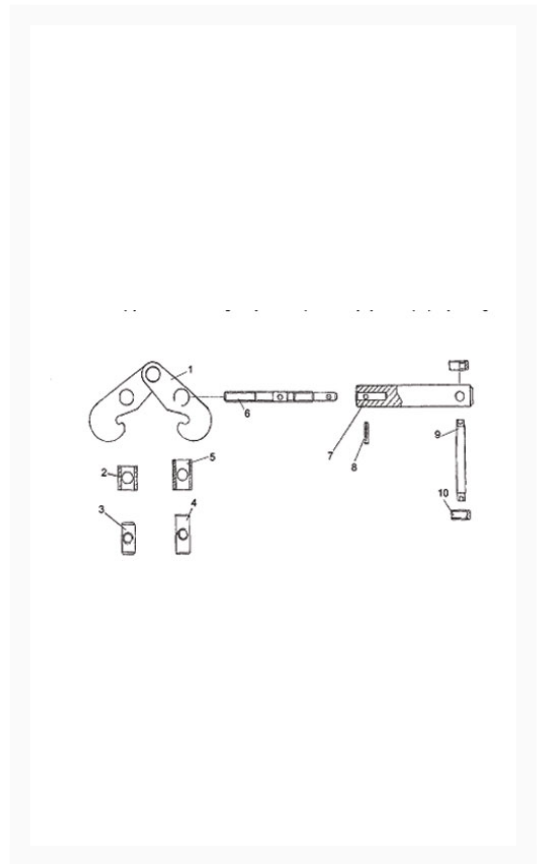




JBC-1, 1-Ton Beam Clamp

Product Images



Short Description

JBC-1, 1-Ton Beam Clamp

Additional Information

Stock Number	JT9-252710
Capacity (Lbs.)	2200
Load Capacity (Metric Tons)	1
Load Capacity (Tons)	1
Maximum Beam Flange Width (In.)	8-2/3
Minimum Beam Flange Width (In.)	3
Model Number	JBC-1
Prop 65	Cancer and Reproductive Harm
Weight (Lbs.)	12

