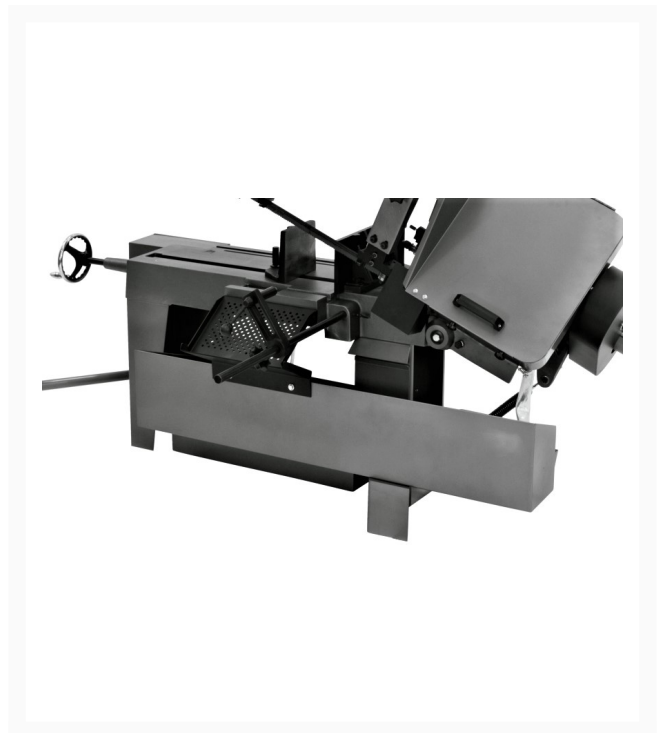




J-7040-4, 10" x 16" Horizontal Bandsaw

Product Images



Short Description

J-7040-4, 10" x 16" Horizontal Bandsaw 460V 3Ph

Additional Information

Stock Number	JT9-414499
Blade Speeds (SFPM)	100 - 350
Blade Wheel Diameter (In.)	14
Drive	Variable Speed
Model Number	J-7040-4
Motor (HP)	2 HP, 460V, 3Ph
Overall Dimensions (L x W x H) (In.)	75-1/2 x 33 x 41
Prop 65	Cancer and Reproductive Harm
Rectangle at 45 Degrees (In.)	6-1/2 x 11
Rectangle at 90 Degrees (In.)	10 x 10 and 7 x 16
Round at 45 Degrees (In.)	10
Round at 90 Degrees (In.)	10
Vise Swivels (Deg.)	45°
Warranty	2 Year
Weight (Lbs.)	927
Gross Weight	1025.0

