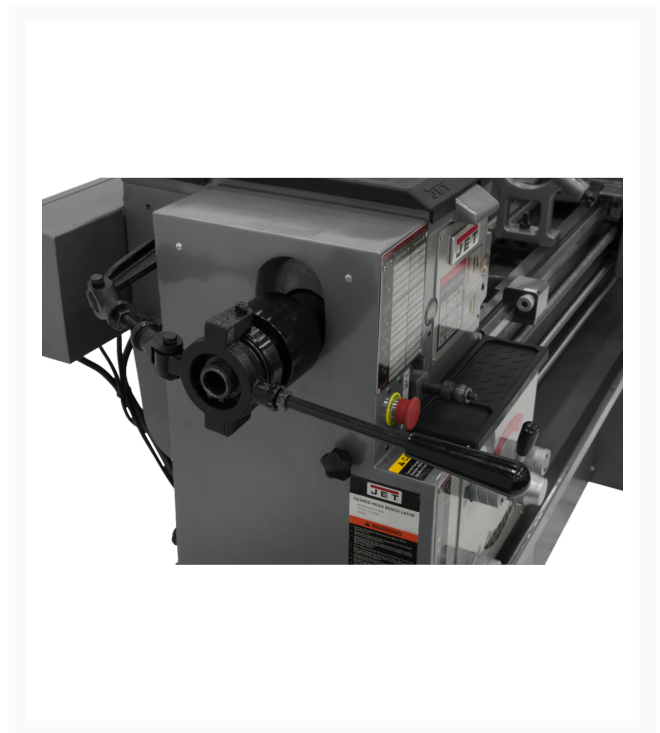




BDB-1340A With Collet Closer

Product Images



Short Description

BDB-1340A With Collet Closer

Additional Information

Stock Number	JT9-321111
Carriage Travel (In.)	35
Compound Slide Travel (In.)	2-11/16
Drive	Belt
Length of Gap (In.)	8
Max Tool Size (In.)	5/8 x 5/8
Model Number	BDB-1340A
Motor (HP)	2 HP, 230V, 1Ph
Number of Inch Threads	38.0000
Number of Longitudinal and Cross Feed Rates	38
Number of Metric Threads	23.0000
Number of Spindle Speeds	12
Overall Dimensions (L x W x H) (In.)	71 x 32 x 45
Prop 65	Cancer and Reproductive Harm
Range of Cross Feeds (IPR)	0.0006-0.013
Range of Inch Threads (TPI)	3-1/2 - 80
Range of Longitudinal Feeds (IPR)	0.0018-0.0374
Range of Metric Threads	0.45-10
Range of Spindle Speeds (RPM)	60 - 1,240
Size	13 x 40
Spindle Bore (In.)	1-3/8
Spindle Mount	D1-4
Spindle Taper with Sleeve	MT-5 (MT-3)
Steady Rest Capacity (In.)	2-5/8

Style (Type)	Bench
Swing Over Bed (In.)	13
Swing Over Cross Slide (In.)	7-25/32
Swing Through Gap (In.)	18-3/4
Tailstock Spindle Travel (In.)	3-3/4
Taper in Tailstock Spindle	MT-3
Weight (Lbs.)	1175
Width of Bed (In.)	7-3/8

