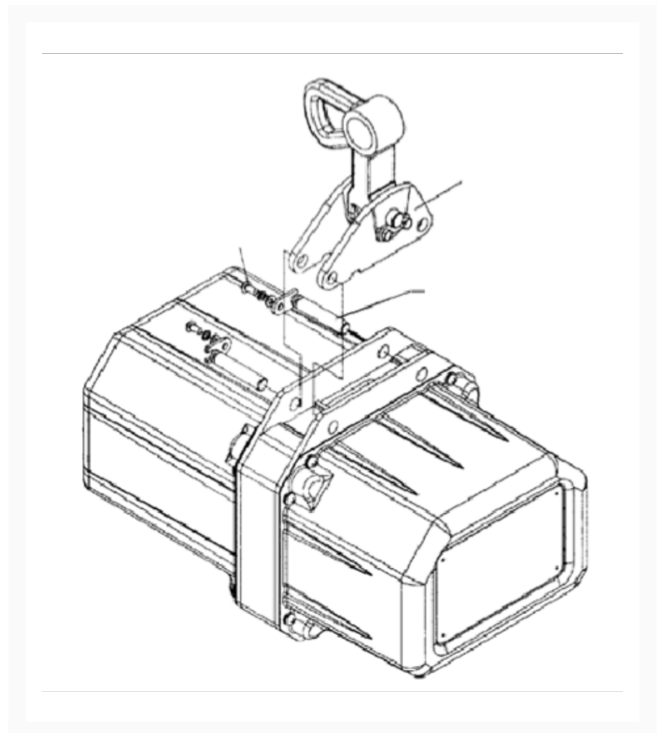




1-Ton Lug Mount Assembly For Electric Hoist

Product Images



Short Description

Lug mount assembly kits are easily installed and reduce the overall headroom of the SSC Series Electric Hoists and ET Series Electric Trolleys.

Additional Information

Stock Number	JT9-1SS-3C-LMA
Load Capacity (Tons)	1
Model Number	1SS-3C-LMA
Prop 65	None
Warranty	2 Year
Gross Weight	2.16

